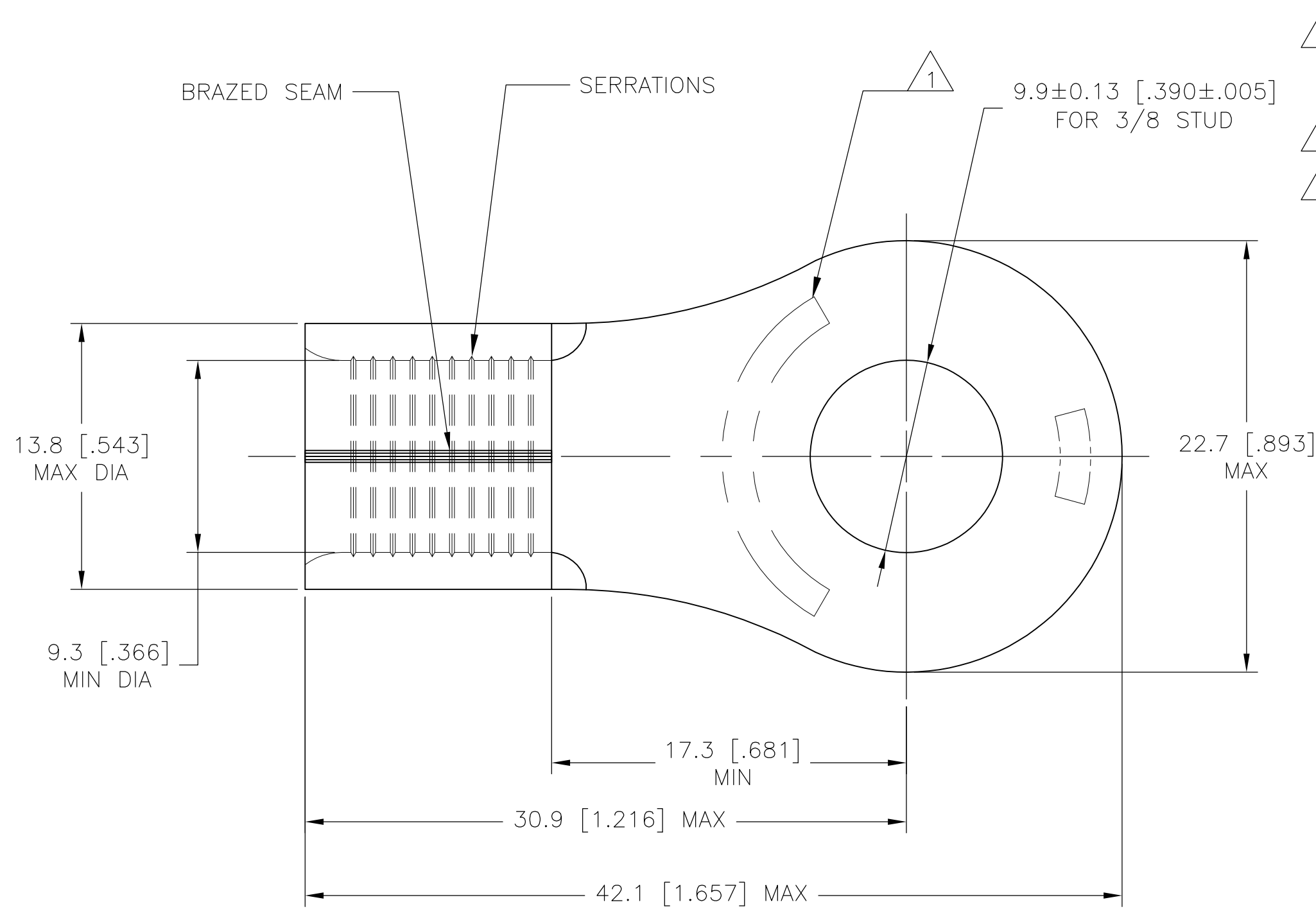


THIS DRAWING IS UNPUBLISHED. RELEASED FOR PUBLICATION
 © COPYRIGHT - By - ALL RIGHTS RESERVED.

LOC	DIST	REVISIONS					
		P	LTR	DESCRIPTION	DATE	DWN	APVD
G	86		A2	REVISED PER ECO-14-006484	03MAY2014	NK	DR



- △ 1 STAMP "AMP 2W* 60-75" LOCATED APPROX AS SHOWN ON BOTTOM.
- △ 2 COPPER PER ASTM B-152
- △ 3 NICKEL PLATE PER QQ-N-290
- 4 MATERIAL THICKNESS 1.78±0.08[.070±.003]

131297-1
 PART NO

THIS DRAWING IS A CONTROLLED DOCUMENT.		DWN jr_ruth	25FEB10	TE Connectivity				
DIMENSIONS: mm [INCHES]		CHK T MICHELUTTI	25FEB10					NAME
TOLERANCES UNLESS OTHERWISE SPECIFIED:		APVD T MICHELUTTI	25FEB10	WIRE TERMINAL, RING TONGUE, SOLISTRAND, WIRE SIZE: #2 AWG				
0 PLC ± - 1 PLC ± - 2 PLC ± 0.2 [.008] 3 PLC ± - 4 PLC ± - ANGLES ± 5°		PRODUCT SPEC		RESTRICTED TO				
MATERIAL △ 2		FINISH △ 3		APPLICATION SPEC	SIZE	CAGE CODE	DRAWING NO	A3 00779 C-131297
CUSTOMER DRAWING		SCALE 4:1		SHEET 1 OF 1		REV A2		

X-ON Electronics

Largest Supplier of Electrical and Electronic Components

Click to view similar products for [Terminals](#) category:

Click to view products by [TE Connectivity](#) manufacturer:

Other Similar products are found below :

[00-054007-01074-6](#) [00-054007-70206-1](#) [00-054007-70210-8](#) [00-054007-70217-7](#) [00-054007-70226-9](#) [00-054007-70228-3](#) [00-054007-70248-1](#) [00-054007-70256-6](#) [00-054007-70301-3](#) [00-054007-70316-7](#) [0-0320562-0](#) [00-054007-49560-4](#) [00-054007-70209-2](#) [00-054007-70225-2](#) [00-054007-70227-6](#) [00-054007-70231-3](#) [00-054007-70241-2](#) [00-054007-70242-9](#) [00-054007-70244-3](#) [00-054007-70246-7](#) [00-054007-70263-4](#) [00-054007-70288-7](#) [00-054007-70290-0](#) [00-054007-70300-6](#) [00-054007-70304-4](#) [01-2065-1-0216](#) [01-2900-1-04412](#) [00581P0075](#) [600TS-10](#) [60205-1](#) [604200-1](#) [605601-1](#) [60598-1-CUT-TAPE](#) [61314-6-C](#) [61810-3](#) [61-S](#) [61-SN](#) [626-0194](#) [62-NBM-A](#) [62-SN](#) [62-SP](#) [63-S](#) [640179-1](#) [M55155/059I03](#) [M55155/079C01](#) [M55155/099H02](#) [M55155/109H01](#) [M55155/109H02](#) [M55155/12XH05](#) [M55155/16XH02](#)