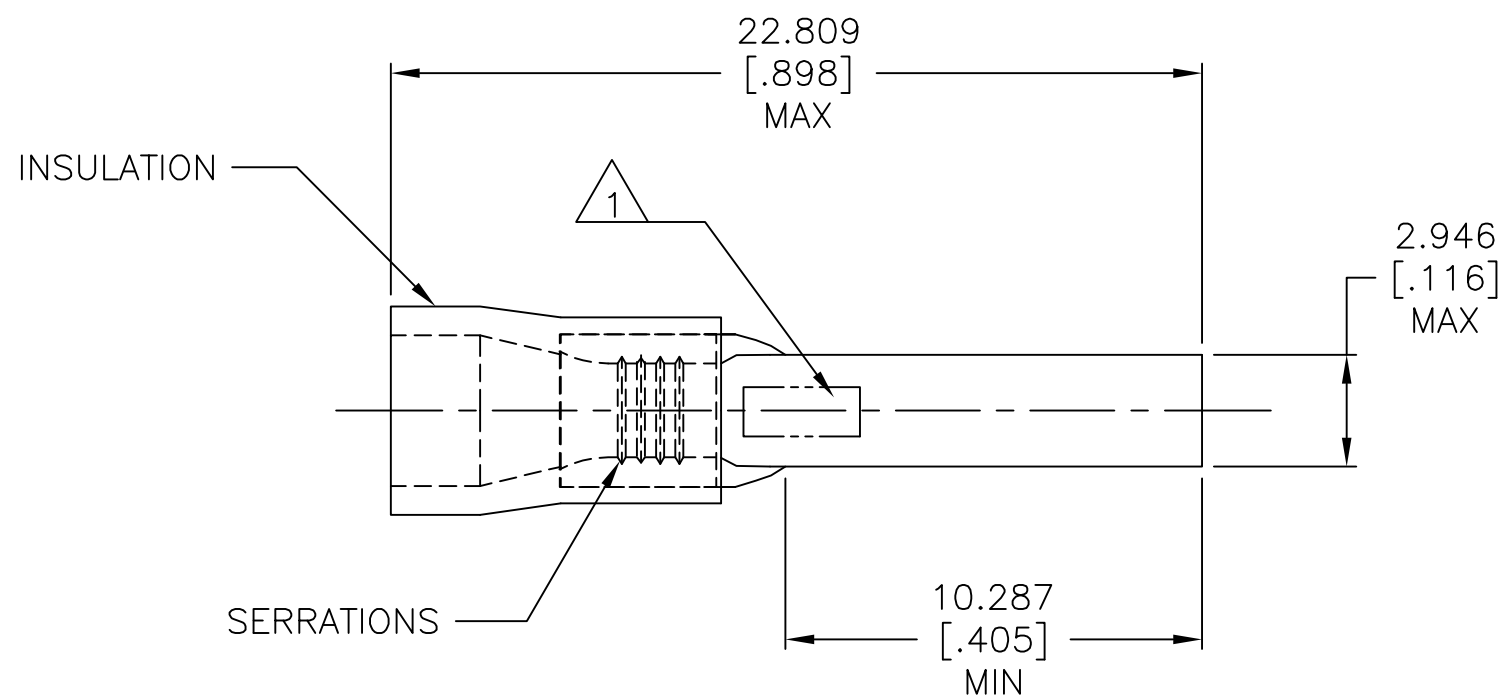
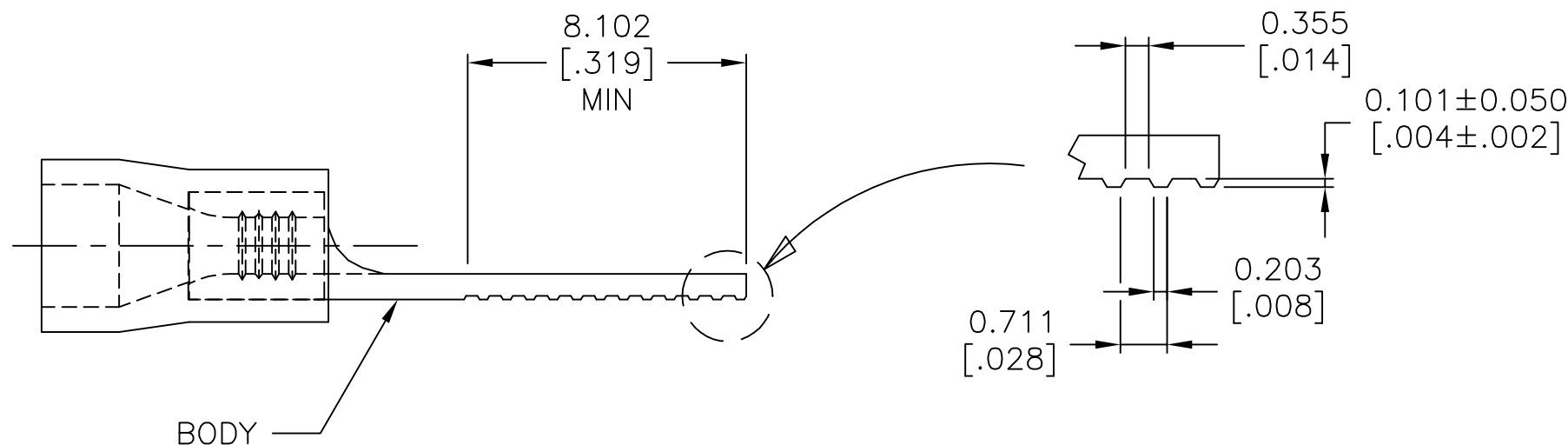


P	LTR	DESCRIPTION	DATE	DWN	APVD
	D2	REVISED PER ECO-15-001229	27JAN2015	NK	DR
	D3	REVISED PER ECO-17-008809	19JUN2017	RS	DR



- 1 WIRE SIZE IS 22-16 AWG.
- 2 WIRE INSULATION DIA: $\phi 2.692-3.581$
[$\phi .106-.141$]
- 3 BODY MATERIAL THICKNESS IS 0.787 ± 0.050
[$.031 \pm .002$]
- 4 600 VOLT MAX.
- 5 CIRCULAR MIL AREA:
509-3,260 ($0.26\text{mm}^2-1.65\text{mm}^2$).
- 6 MAXIMUM TEMPERATURE 105°C [221°F]



LOOSE PIECE	1000	131443
PACKAGING TYPE	QTY	PART NO

THIS DRAWING IS A CONTROLLED DOCUMENT.		DWN jr_ruth 29MAR06	STE TE Connectivity													
DIMENSIONS: mm [INCHES]		CHK T MICHELUTTI 28MAR06														
TOLERANCES UNLESS OTHERWISE SPECIFIED:		APVD T MICHELUTTI 28MAR06	NAME TERMINAL, TAB, PLASTI-GRIP 22-16 AWG													
<table border="0"> <tr><td>0 PLC</td><td>± -</td></tr> <tr><td>1 PLC</td><td>± -</td></tr> <tr><td>2 PLC</td><td>± -</td></tr> <tr><td>3 PLC</td><td>± 0.127[.005]</td></tr> <tr><td>4 PLC</td><td>± -</td></tr> <tr><td>ANGLES</td><td>± 1°</td></tr> </table>		0 PLC	± -	1 PLC	± -	2 PLC	± -	3 PLC	± 0.127[.005]	4 PLC	± -	ANGLES	± 1°	PRODUCT SPEC -	APPLICATION SPEC 114-2157	
0 PLC	± -															
1 PLC	± -															
2 PLC	± -															
3 PLC	± 0.127[.005]															
4 PLC	± -															
ANGLES	± 1°															
MATERIAL INSULATION: PVC BODY: COPPER PER ASTM B152		FINISH INSULATION COLOR: RED BODY: TIN PLATE PER ASTM B545	WEIGHT -	SIZE A3	CAGE CODE 00779											
CUSTOMER DRAWING			DRAWING NO C=131443	RESTRICTED TO -												
SCALE 5:1			SHEET 1 OF 1	REV D3												

X-ON Electronics

Largest Supplier of Electrical and Electronic Components

Click to view similar products for [Terminals](#) category:

Click to view products by [TE Connectivity](#) manufacturer:

Other Similar products are found below :

[00-054007-01074-6](#) [00-054007-70206-1](#) [00-054007-70210-8](#) [00-054007-70217-7](#) [00-054007-70226-9](#) [00-054007-70228-3](#) [00-054007-70248-1](#) [00-054007-70256-6](#) [00-054007-70301-3](#) [00-054007-70316-7](#) [0-0320562-0](#) [00-054007-49560-4](#) [00-054007-70209-2](#) [00-054007-70225-2](#) [00-054007-70227-6](#) [00-054007-70231-3](#) [00-054007-70241-2](#) [00-054007-70242-9](#) [00-054007-70244-3](#) [00-054007-70246-7](#) [00-054007-70263-4](#) [00-054007-70288-7](#) [00-054007-70290-0](#) [00-054007-70300-6](#) [00-054007-70304-4](#) [01-2065-1-0216](#) [01-2900-1-04412](#) [00581P0075](#) [600TS-10](#) [60205-1](#) [604200-1](#) [605601-1](#) [60598-1-CUT-TAPE](#) [61314-6-C](#) [61810-3](#) [61-S](#) [61-SN](#) [626-0194](#) [62-NBM-A](#) [62-SN](#) [62-SP](#) [63-S](#) [640179-1](#) [M55155/059I03](#) [M55155/079C01](#) [M55155/099H02](#) [M55155/109H01](#) [M55155/109H02](#) [M55155/12XH05](#) [M55155/16XH02](#)