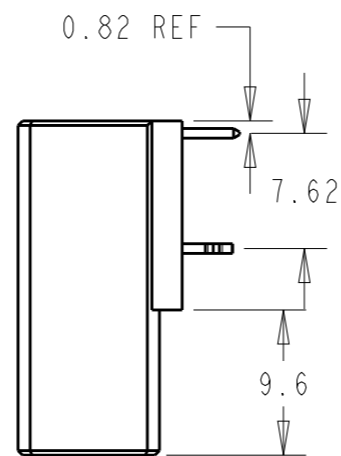
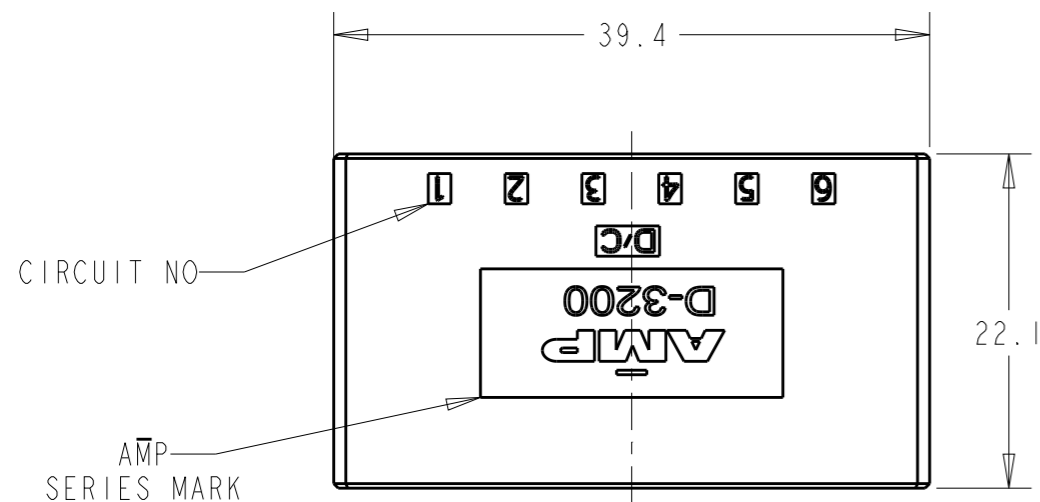


P	LTR	DESCRIPTION	DATE	DWN	APVD
O		REVISED (FJ00-2557-95)	31JUL1995	KI	YI
A		REVISED (FLD0-0114-03)	25APR2003	TS	SM
B		REVISED (FLD0-0039-03)	02JUN2003	TS	SM
BI		REVISED PER ECR-20-011916	24AUG2020	A.W	R.B

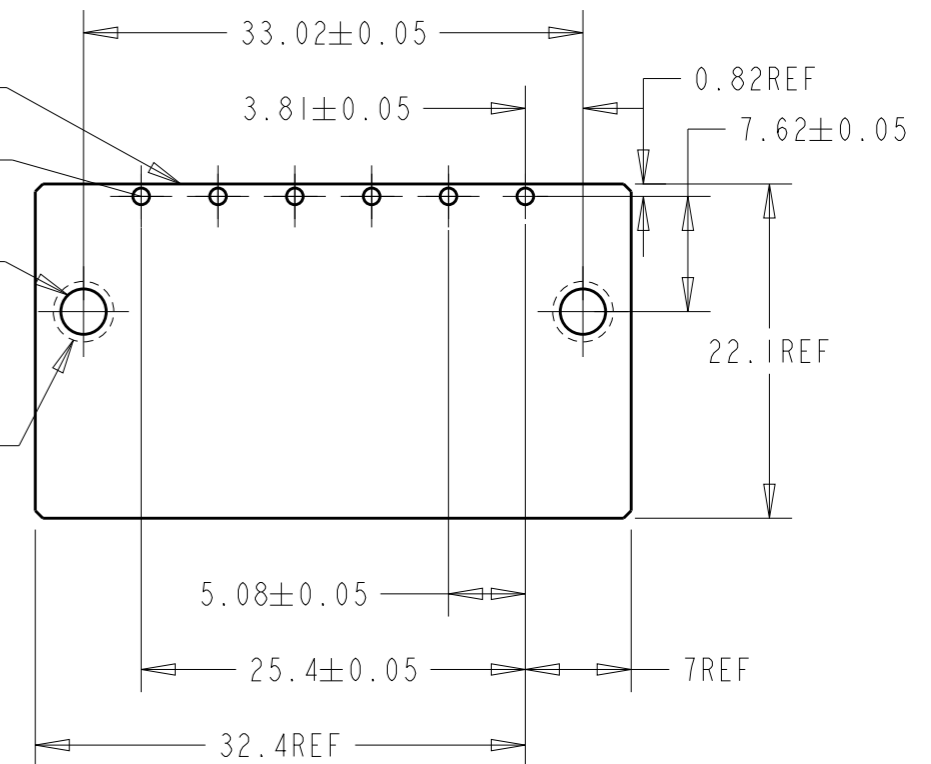


OUTLINE OF HEADER HOUSING

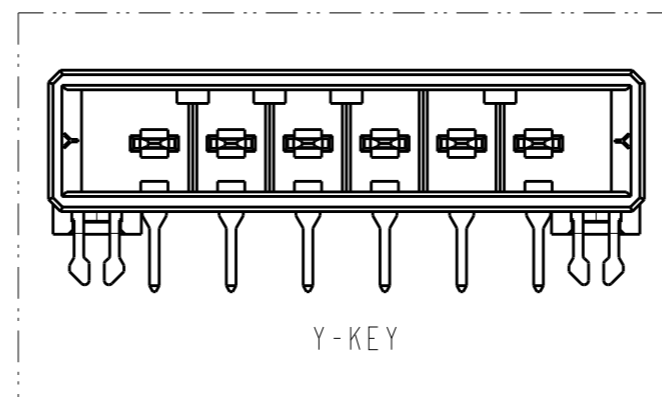
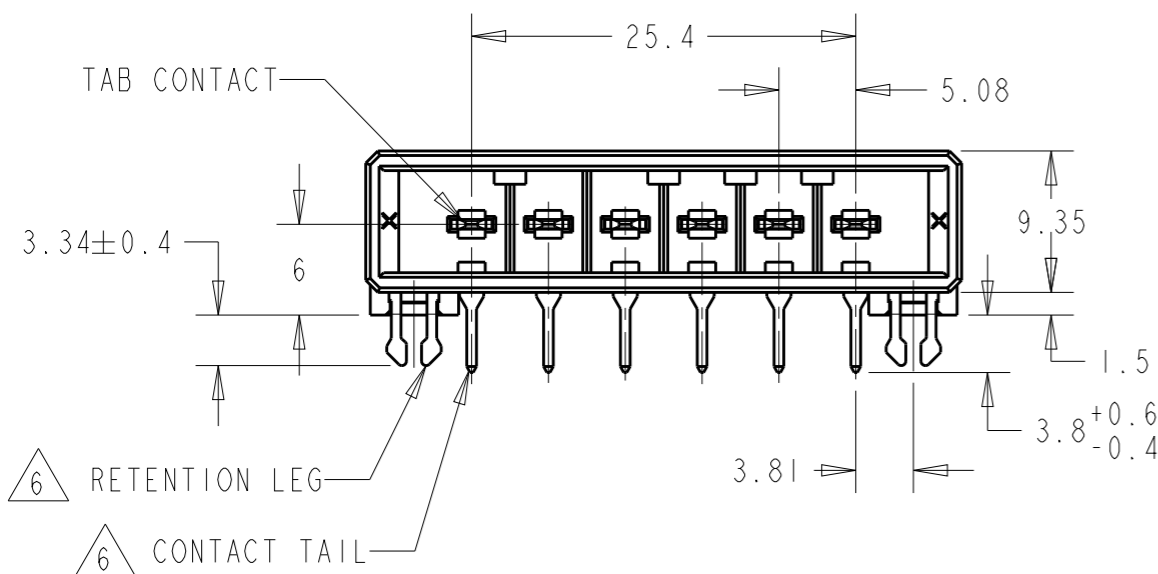
DIA 1.1±0.1 6PLACES

DIA 3±0.1 2PLACES

ROUND DIA 4MIN 2PLACES



RECOMEND PC BOARD HOLE PATTERN  
PC BOARD THICKNESS: 1.6±0.1  
(NOT ACCUMULATE TOLERANCE)  
(CONNECTOR MOUNT SIDE)



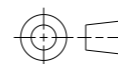
△6	△4	2-316131-5	Y
△6	△3	2-316131-3	Y
△6	△2	2-316131-2	Y
△6	△4	1-316131-5	X
△6	△3	1-316131-3	X
△6	△2	1-316131-2	X
(FINISH)	(PART NO)	KEY	

NOTE

- MATERIAL: HOUSING: GLASS FILLED THERMO PLATIC, POLYESTER  
CONTACT: COPPER ALLOY  
RETENTION LEG: COPPER ALLOY
- FINISH (CONTACT AREA); 0.38µm MIN GOLD PLATING OVER Ni PLATING
- FINISH (CONTACT AREA); 0.76µm MIN GOLD PLATING OVER Ni PLATING
- FINISH (CONTACT AREA); 2.0µm MIN TIN PLATED OVER NICKEL
- ~~FINISH (RETENTION LEG): TIN LEAD PLATED (CONTACT TAIL) OVER NICKEL~~
- FINISH (RETENTION LEG): TIN-PLATED (CONTACT TAIL) OVER NICKEL

THIS DRAWING IS A CONTROLLED DOCUMENT.

DIMENSIONS:  
mm



TOLERANCES UNLESS OTHERWISE SPECIFIED:

0 PLC	±0.2
1 PLC	±0.3
2 PLC	±0.4
3 PLC	±
4 PLC	±
ANGLES	±3°

MATERIAL  
SEE NOTE

FINISH  
SEE TABLE

DWN K. IKEDA 26JUL1995

CHK Y. ISHIKAWA 31JUL1995

APVD S. MANABE 31JUL1995

PRODUCT SPEC

APPLICATION SPEC

WEIGHT

CUSTOMER DRAWING

**TE** TE Connectivity

NAME  
DYNAMIC CONN. 6POS.  
HORIZONTAL HDR. ASS'Y (D-3200)

SIZE CAGE CODE DRAWING NO RESTRICTED TO

A3 00779 C-316131

SCALE 2:1 SHEET 1 OF 1 REV BI

## X-ON Electronics

Largest Supplier of Electrical and Electronic Components

*Click to view similar products for [Headers & Wire Housings](#) category:*

*Click to view products by [TE Connectivity](#) manufacturer:*

Other Similar products are found below :

[892-18-020-10-001101](#) [58102-G61-06LF](#) [582553-1](#) [0009485154](#) [009176003701906](#) [0050291907](#) [LY20-4P-DT1-P1E-BR](#) [02.125.8002.8](#)  
[609-3404](#) [61062-3](#) [61082-181009](#) [622-3653LF](#) [63453-116](#) [636-1030](#) [636-1427](#) [636-3427](#) [636-4007](#) [641938-9](#) [641991-4](#) [644827-2](#) [65817-](#)  
[010LF](#) [65817-015LF](#) [65863-015LF](#) [66207-023LF](#) [67095-007LF](#) [67601157](#) [68645-018](#) [68648-049](#) [70.362.1628.0](#) [70-4210](#) [70-4226B](#) [70-](#)  
[4853B](#) [707-5020](#) [707-5028](#) [71.350.2428.0](#) [71918-208LF](#) [71961-016LF](#) [733-134](#) [733-162](#) [754199-000](#) [760-3052](#) [79531-3000](#) [FCN-](#)  
[360C032-B](#) [FCN-367T-T012/H](#) [FCN-723D010/2](#) [80.063.4001.1](#) [800-90-010-10-002000](#) [801-43-002-10-013000](#) [801-43-006-10-002000](#)  
[801-93-011-10-001000](#)