

THIS DRAWING IS UNPUBLISHED.

RELEASED FOR PUBLICATION

© COPYRIGHT 2009 Tyco Electronics Japan G.K.

ALL RIGHTS RESERVED.

LOC
J

DIST
-

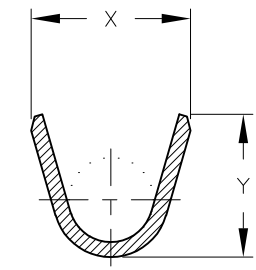
REVISIONS

P	LTR	DESCRIPTION	DATE	DWN	APVD
G		REVISED PER ECR-15-011723	08AUG2015	Y.O	E.T

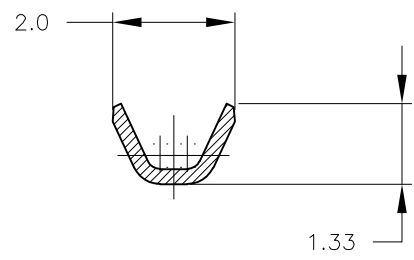
WIRE RANGE ID MARK
 S : 1318106-1
 S1 : 1-1318106-1 \triangle

CONTACT ID MARK

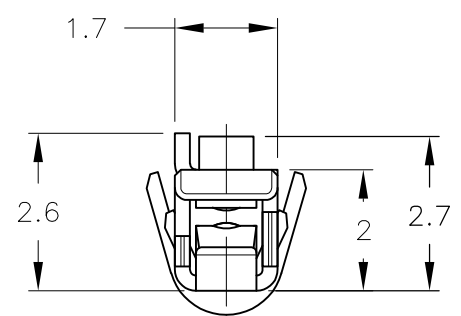
TOOLING ID MARK ON OUTER SURFACE



SECT B-B

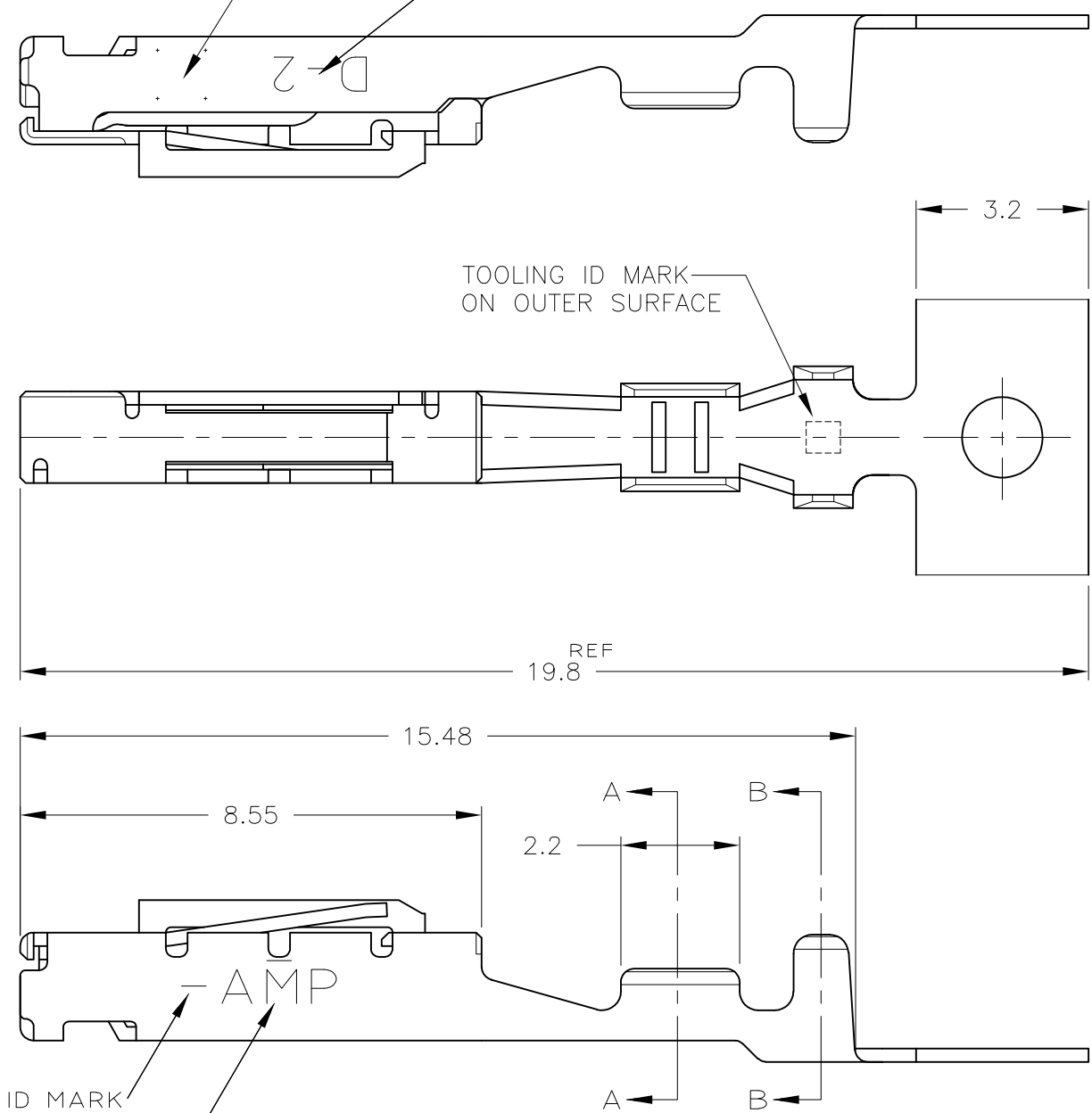


SECT A-A



TOOLING ID MARK

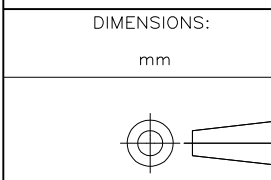
AMP MARK



- 1 . FINISH (CONTACT AREA) :
0.38 μ mMIN GOLD PLATING OVER NICKEL PLATING.
- \triangle . APPLICABLE WIRE FOR THIS CONTACT IS UL1051 ONLY.
(SEE 114-5258 AS DETAIL)

AWG #	INSULATION DIA	Y	X	PART NO	
AWG #24 \triangle	2.20~2.25		2.70	3.06	1-1318106-1
AWG #28~#24	0.88~1.50		2.36	2.63	1318106-1

THIS DRAWING IS A CONTROLLED DOCUMENT.



MATERIAL
CUPPER ALLOY

DIMENSIONS: mm

TOLERANCES UNLESS OTHERWISE SPECIFIED:

0 PLC	± 0.4
1 PLC	± 0.4
2 PLC	± 0.4
3 PLC	± 0.4
4 PLC	± 0.4
ANGLES	$\pm 5^\circ$

FINISH
SEE NOTE

DWN	K.IKEDA	07DEC1998
CHK	N.MATSUBARA	07DEC1998
APVD	I.HASEGAWA	07DEC1998
PRODUCT SPEC	108-5619	
APPLICATION SPEC	114-5258	
WEIGHT	-	
CUSTOMER DRAWING		



TE Connectivity
DYNAMIC 2000 SERIES
REC CONTACT
S-SIZE

SIZE	CAGE CODE	DRAWING NO	RESTRICTED TO
A3	00779	C-1318106	-

SCALE 8:1 SHEET 1 OF 1 REV G

X-ON Electronics

Largest Supplier of Electrical and Electronic Components

Click to view similar products for [Headers & Wire Housings](#) category:

Click to view products by [TE Connectivity](#) manufacturer:

Other Similar products are found below :

[892-18-020-10-001101](#) [58102-G61-06LF](#) [582553-1](#) [0009485154](#) [009176003701906](#) [0050291907](#) [LY20-4P-DT1-P1E-BR](#) [02.125.8002.8](#)
[609-3404](#) [61062-3](#) [61082-181009](#) [622-3653LF](#) [63453-116](#) [636-1030](#) [636-1427](#) [636-3427](#) [636-4007](#) [641938-9](#) [641991-4](#) [644827-2](#) [65817-010LF](#) [65817-015LF](#) [65863-015LF](#) [66207-023LF](#) [67095-007LF](#) [67601157](#) [68645-018](#) [68648-049](#) [70.362.1628.0](#) [70-4210](#) [70-4226B](#) [70-4853B](#) [707-5020](#) [707-5028](#) [71.350.2428.0](#) [71918-208LF](#) [71961-016LF](#) [733-134](#) [733-162](#) [754199-000](#) [760-3052](#) [787-8014-00](#) [79531-3000](#)
[FCN-360C032-B](#) [FCN-367T-T012/H](#) [FCN-723D010/2](#) [80.063.4001.1](#) [800-90-001-10-001000](#) [800-90-010-10-002000](#) [801-43-002-10-013000](#)