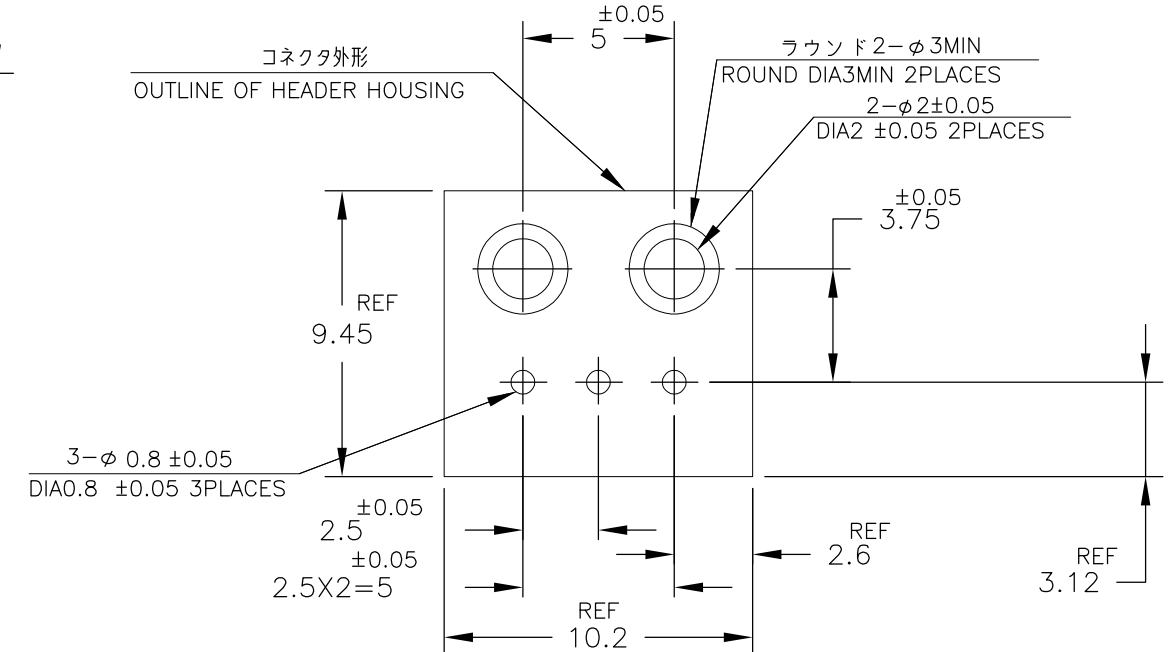
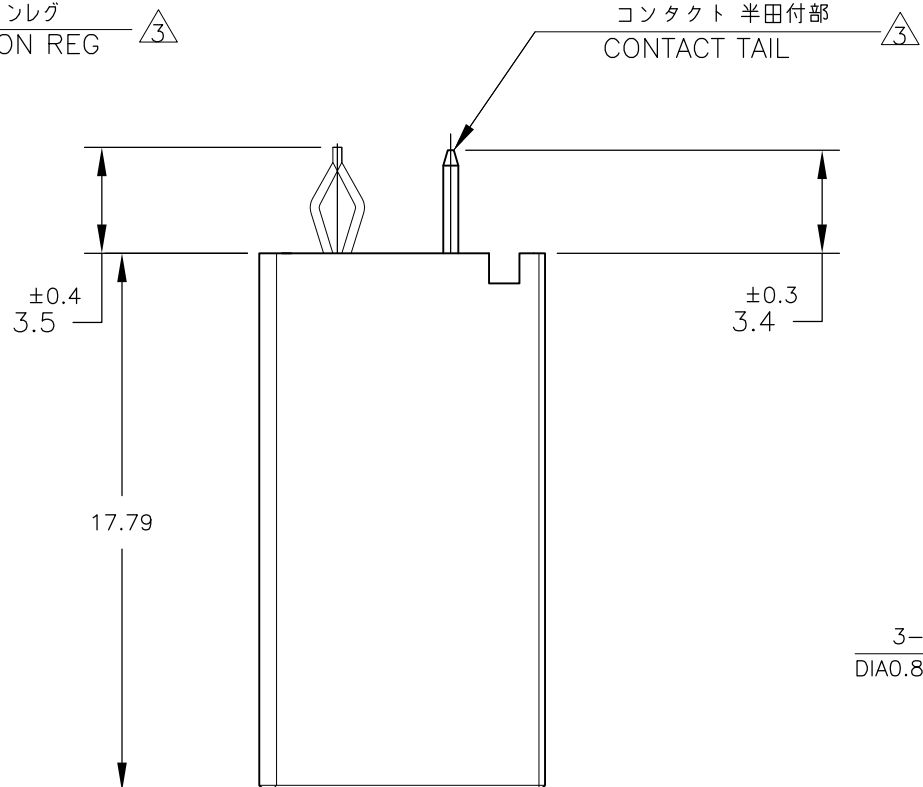
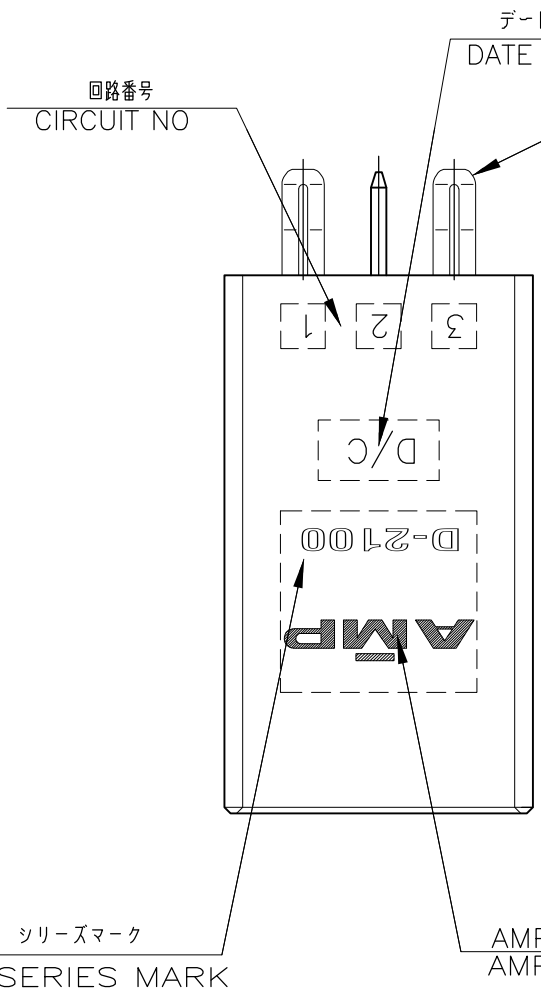
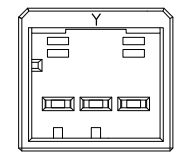


THIS DRAWING IS UNPUBLISHED. RELEASED FOR PUBLICATION  
 © COPYRIGHT 2012 By Tyco Electronics Japan G.K. ALL RIGHTS RESERVED.

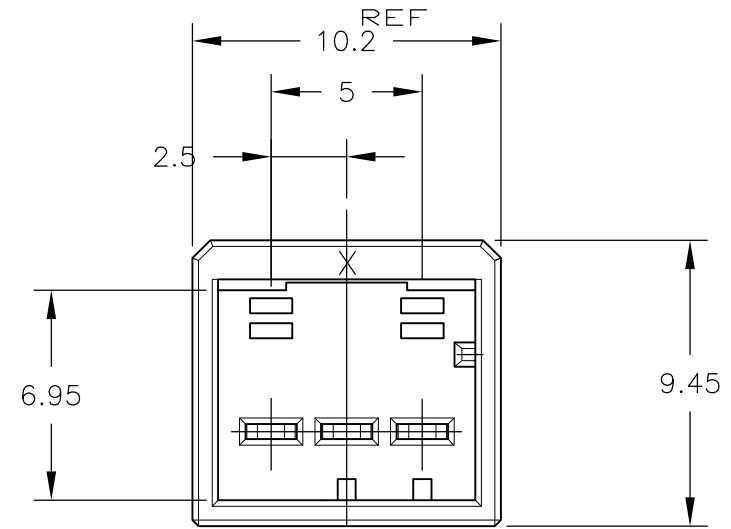
LOC	DIST	REVISIONS					
J	—	P	LTR	DESCRIPTION	DATE	DWN	APVD
		C		REVISED	11MAY2012	H.M	N.Y



推奨基板取付け穴寸法 (公差: ±0.05)  
 PC 基板厚: 1.6 ±0.3 (コネクタ搭載面)  
 RECOMENDED PC BOARD HOLE PATTERN (TOLERANCE :±0.05)  
 PC BOARD THICKNESS:1.6±0.3 (CONNECTOR MOUNT SIDE)



1318123-2 (KEYING Y) SCALE:2-1



1318123-1 (KEYING X)

NOTES

- MATERIAL:HOUSING:GLASS FILED THERMO PLASTIC POLYESTER(94V-0)  
 TAB CONTACT:COPPER ALLOY  
 RETENTION LEG:BRASS
- △ FINISH(CONTACT AREA):0.38μmMIN GOLD PLATING OVER Ni PLATING
- △ FINISH(RETENTION LEG): TIN PLATED (CONTACT TAIL) OVER NICKEL

注記

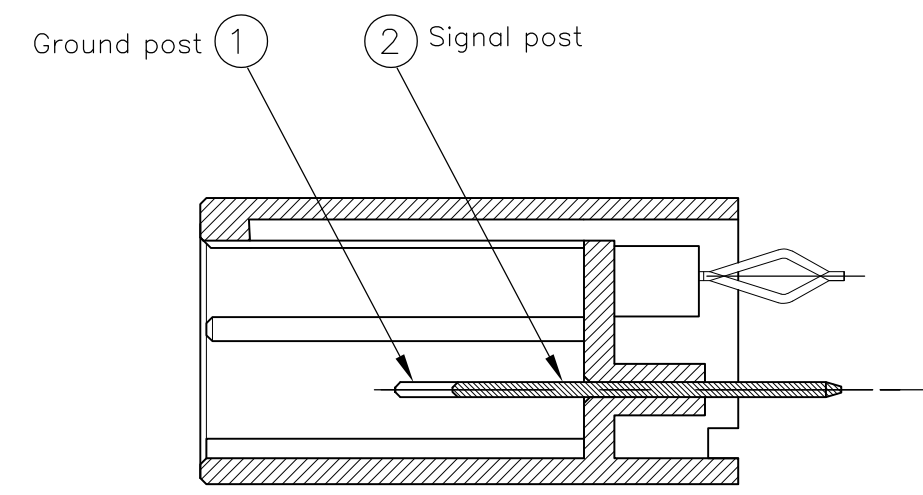
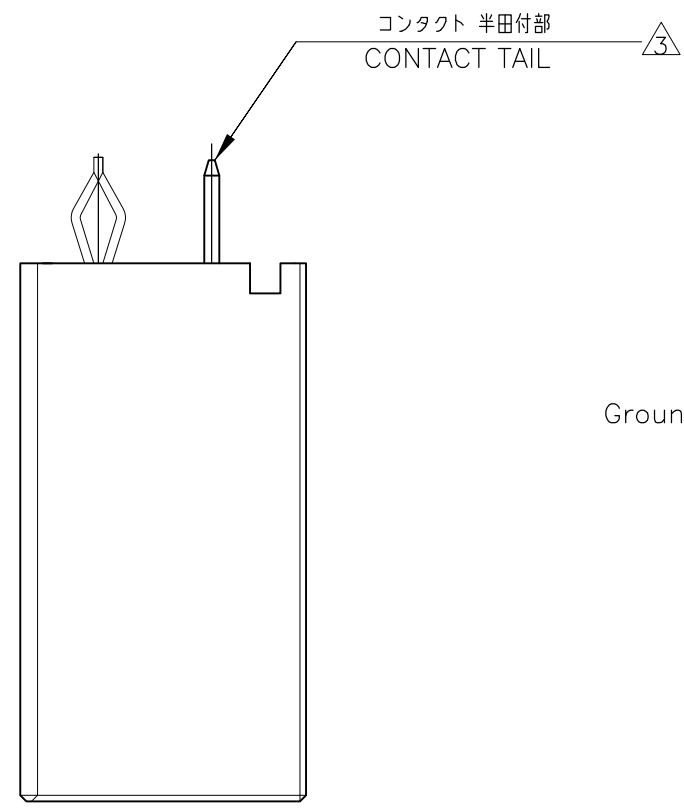
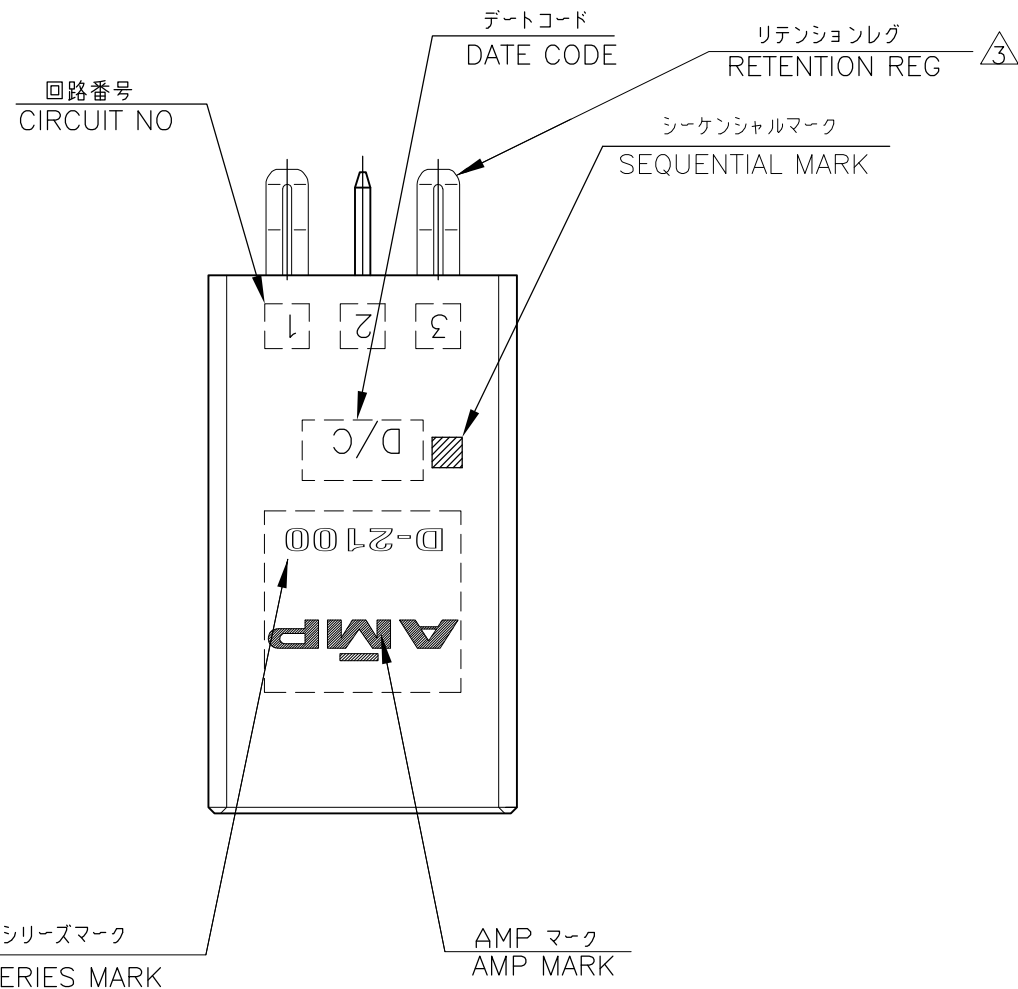
- 材料:ハウジング:ガラス入り熱可塑性ポリエステル樹脂 (94V-0)  
 タブ コンタクト:銅合金  
 リテンション レグ:黄銅
- めっき:コンタクト:全面Ni下地  
 接触部:0.38μmMIN金めっき
- めっき:リテンションレグとコンタクト半田付部  
 :ニッケル下地の上にスズめっき

Y	NATURAL	9-1318123-2
Y	BLACK	1318123-2
X	BLACK	1318123-1
KEY	COLOR	PART No.

THIS DRAWING IS A CONTROLLED DOCUMENT.		DWN K.IKEDA 07DEC1998	TE Connectivity	
DIMENSIONS: mm		CHK N.MATSUBARA 07DEC2012		
TOLERANCES UNLESS OTHERWISE SPECIFIED:		APVD I.HASEGAWA 07DEC2012	NAME SINGLE ROW HEADER ASSY 3P V-TYPE DYNAMIC D-2100D	
0 PLC ± 10 ± 0.3 1 PLC ± 30 ± 0.35 2 PLC ± 100 ± 0.4 3 PLC ± 4 PLC ± ANGLES ± 3°		PRODUCT SPEC 108-5619	RESTRICTED TO	
MATERIAL SEE NOTE		APPLICATION SPEC 114-5258	SIZE A3	CAGE CODE 00779
FINISH SEE NOTE		WEIGHT	DRAWING NO C-1318123	REV C
CUSTOMER DRAWING			SCALE 4:1	SHEET 1 OF 2

THIS DRAWING IS UNPUBLISHED. RELEASED FOR PUBLICATION  
 © COPYRIGHT 2012 By Tyco Electronics Japan G.K. ALL RIGHTS RESERVED.

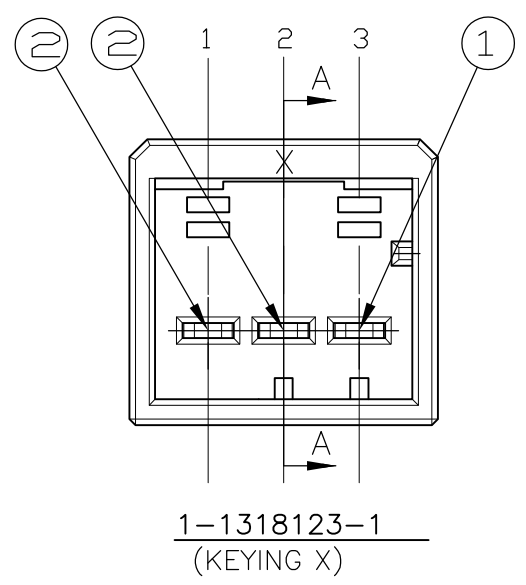
LOC	DIST	REVISIONS					
J	—	P	LTR	DESCRIPTION	DATE	DWN	APVD
		—		SEE SHEET 1	—	—	—



1-1318123-1;AS SHOWN  
 SEQUENTIAL TYPE

	回路番号		
	1	2	3
1列	② Signal	② Signal	① Ground

POINT OF SEQUENTIAL  
1-1318123-1  
 (KEYING X)



1-1318123-1  
 (KEYING X)

NOTES

- 1. MATERIAL:HOUSING:GLASS FILED THERMO PLASTIC POLYESTER(94V-0)  
 TAB CONTACT:COPPER ALLOY  
 RETENTION LEG:BRASS
- △ FINISH(CONTACT AREA):0.38μmMIN GOLD PLATING OVER Ni PLATING
- △ FINISH(RETENTION LEG): TIN PLATED (CONTACT TAIL) OVER NICKEL

注記

- 1. 材料:ハウジング:ガラス入り熱可塑性ポリエステル樹脂 (94V-0)  
 タブ コンタクト:銅合金  
 リテンションレグ:黄銅
- △ めっき:コンタクト:全面Ni下地  
 接触部:0.38μm MIN金めっき
- △ めっき:リテンションレグとコンタクト半田付部  
 :ニッケル下地の上にスズめっき

X	BLACK	1-1318123-1
KEY	COLOR	PART No.

THIS DRAWING IS A CONTROLLED DOCUMENT.		DWN K.IKEDA 07DEC1998	TE Connectivity		
DIMENSIONS: mm		CHK N.MATSUBARA 07DEC2012			
TOLERANCES UNLESS OTHERWISE SPECIFIED:		APVD I.HASEGAWA 07DEC2012	NAME SINGLE ROW HEADER ASSY 3P V-TYPE DYNAMIC D-2100D		
0 PLC ± 0.3 1 PLC ± 0.35 2 PLC ± 0.4 3 PLC ± 0.4 4 PLC ± 0.4 ANGLES ± 3°		PRODUCT SPEC 108-5619	DRAWING NO C-1318123		
MATERIAL SEE NOTE		APPLICATION SPEC 114-5258	SIZE A3	CAGE CODE 00779	RESTRICTED TO —
FINISH SEE NOTE		WEIGHT	SCALE 4:1		
CUSTOMER DRAWING			SHEET 2 OF 2		
			REV C		

## X-ON Electronics

Largest Supplier of Electrical and Electronic Components

*Click to view similar products for [Headers & Wire Housings](#) category:*

*Click to view products by [TE Connectivity](#) manufacturer:*

Other Similar products are found below :

[892-18-020-10-001101](#) [58102-G61-06LF](#) [582553-1](#) [0009485154](#) [009176003701906](#) [0050291907](#) [LY20-4P-DT1-P1E-BR](#) [02.125.8002.8](#)  
[609-3404](#) [61062-3](#) [61082-181009](#) [622-3653LF](#) [63453-116](#) [636-1030](#) [636-1427](#) [636-3427](#) [636-4007](#) [641938-9](#) [641991-4](#) [644827-2](#) [65817-](#)  
[010LF](#) [65817-015LF](#) [65863-015LF](#) [66207-023LF](#) [67095-007LF](#) [67601157](#) [68645-018](#) [68648-049](#) [70.362.1628.0](#) [70-4210](#) [70-4226B](#) [70-](#)  
[4853B](#) [707-5020](#) [707-5028](#) [71.350.2428.0](#) [71918-208LF](#) [71961-016LF](#) [733-134](#) [733-162](#) [754199-000](#) [760-3052](#) [79531-3000](#) [FCN-](#)  
[360C032-B](#) [FCN-367T-T012/H](#) [FCN-723D010/2](#) [80.063.4001.1](#) [800-90-001-10-001000](#) [800-90-010-10-002000](#) [801-43-002-10-013000](#)  
[801-43-006-10-002000](#)