

THIS DRAWING IS UNPUBLISHED.

RELEASED FOR PUBLICATION

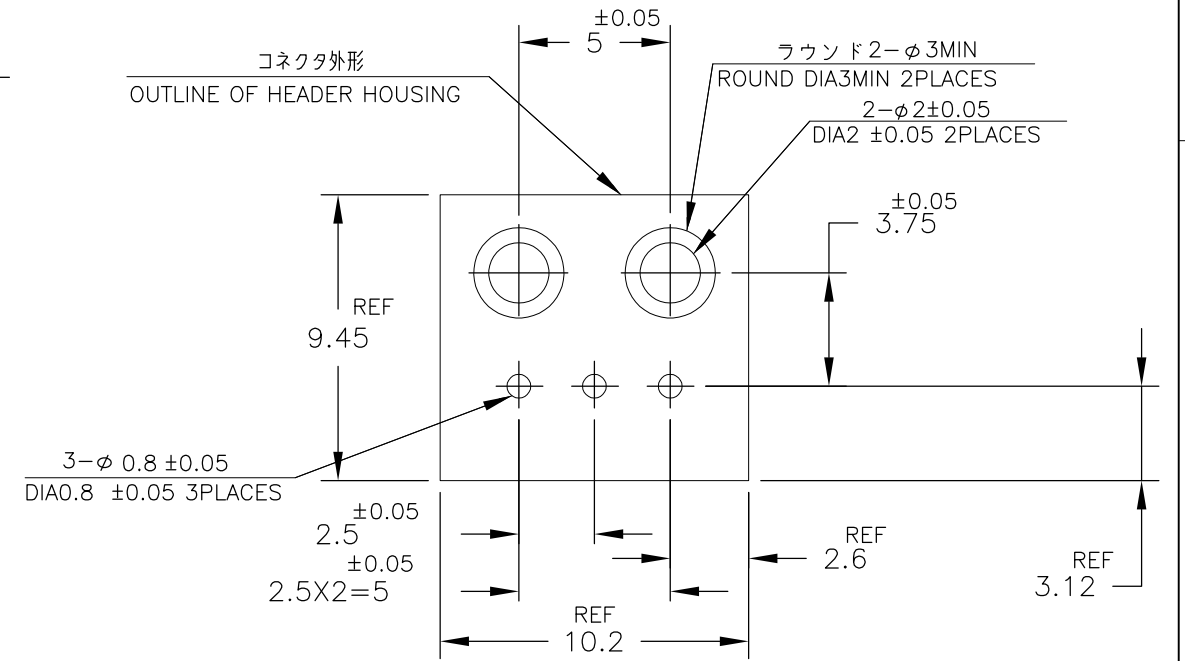
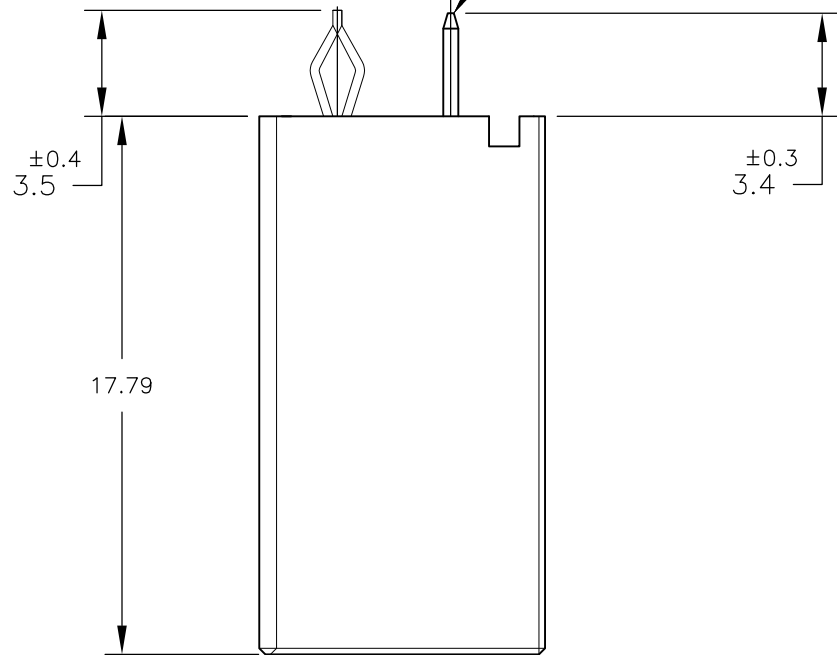
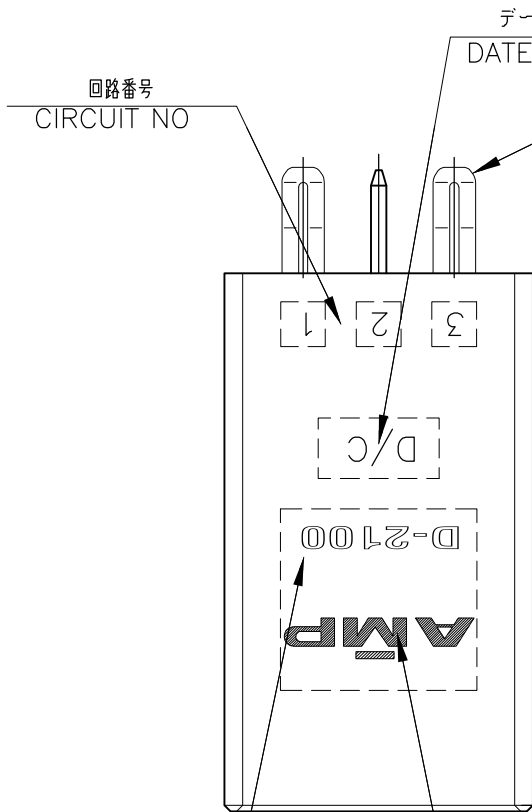
© COPYRIGHT 2012 By Tyco Electronics Japan G.K.

ALL RIGHTS RESERVED.

LOC J DIST -

REVISIONS

P	LTR	DESCRIPTION	DATE	DWN	APVD
C		REVISED	11MAY2012	H.M	N.Y

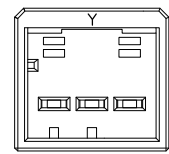


推奨基板取付け穴寸法 (公差: ±0.05)

PC 基板厚: 1.6 ±0.3 (コネクタ搭載面)

RECOMENDED PC BOARD HOLE PATTERN (TOLERANCE :±0.05)

PC BOARD THICKNESS:1.6±0.3 (CONNECTOR MOUNT SIDE)



1318123-2 (KEYING Y) SCALE:2-1

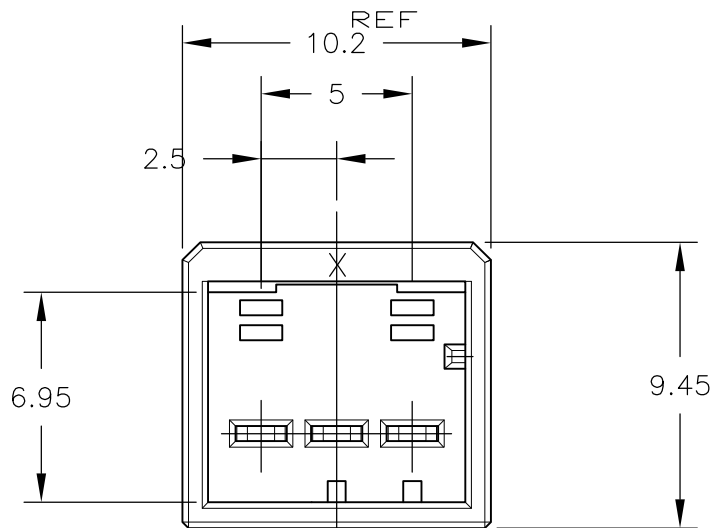
NOTES

- 1. MATERIAL:HOUSING:GLASS FILED THERMO PLASTIC POLYESTER(94V-0) TAB CONTACT:COPPER ALLOY RETENTION LEG:BRASS
- △ FINISH(CONTACT AREA):0.38μmMIN GOLD PLATING OVER Ni PLATING
- △ FINISH(RETENTION LEG): TIN PLATED (CONTACT TAIL) OVER NICKEL

注記

- 1. 材料:ハウジング:ガラス入り熱可塑性ポリエステル樹脂 (94V-0) タブ コンタクト:銅合金 リテンション レグ:黄銅
- △ めっき:コンタクト:全面Ni下地 接触部:0.38μm MIN金めっき
- △ めっき:リテンションレグとコンタクト半田付部:ニッケル下地の上にスズめっき

Y	NATURAL	9-1318123-2
Y	BLACK	1318123-2
X	BLACK	1318123-1
KEY	COLOR	PART No.



1318123-1 (KEYING X)

THIS DRAWING IS A CONTROLLED DOCUMENT.		DWN K.IKEDA 07DEC1998	TE Connectivity		
DIMENSIONS: mm		CHK N.MATSUBARA 07DEC2012			
TOLERANCES UNLESS OTHERWISE SPECIFIED:		APVD I.HASEGAWA 07DEC2012	NAME SINGLE ROW HEADER ASSY 3P V-TYPE DYNAMIC D-2100D		
0 PLC ± 10 ± 0.3 1 PLC ± 30 ± 0.35 2 PLC ± 100 ± 0.4 3 PLC ± 4 PLC ± ANGLES ± 3°		PRODUCT SPEC 108-5619	RESTRICTED TO -		
MATERIAL SEE NOTE		APPLICATION SPEC 114-5258	SIZE A3	CAGE CODE 00779	DRAWING NO C-1318123
FINISH SEE NOTE		WEIGHT	SCALE 4:1 SHEET 1 OF 2 REV C		
CUSTOMER DRAWING					

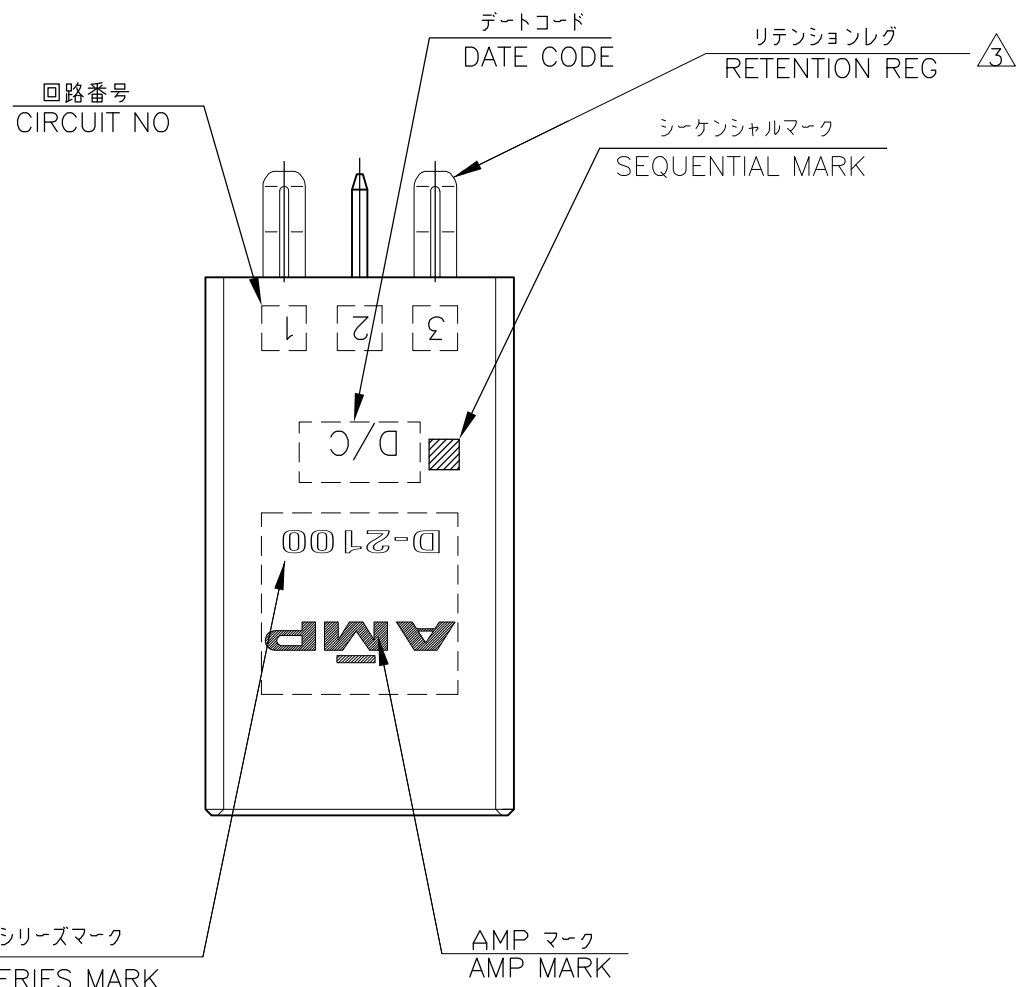
THIS DRAWING IS UNPUBLISHED.

RELEASED FOR PUBLICATION

© COPYRIGHT 2012 By Tyco Electronics Japan G.K.

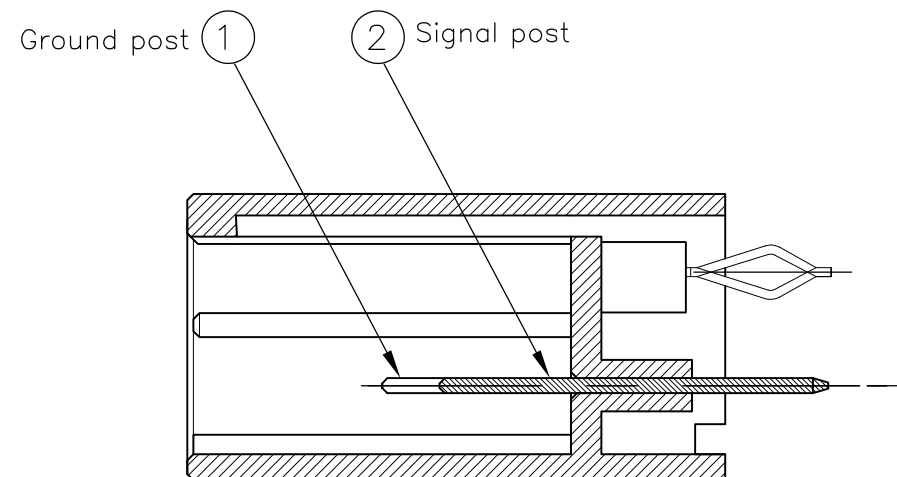
ALL RIGHTS RESERVED.

LOC	DIST	REVISIONS					
J	—	P	LTR	DESCRIPTION	DATE	DWN	APVD
				SEE SHEET 1	—	—	—



CONTACT TAIL

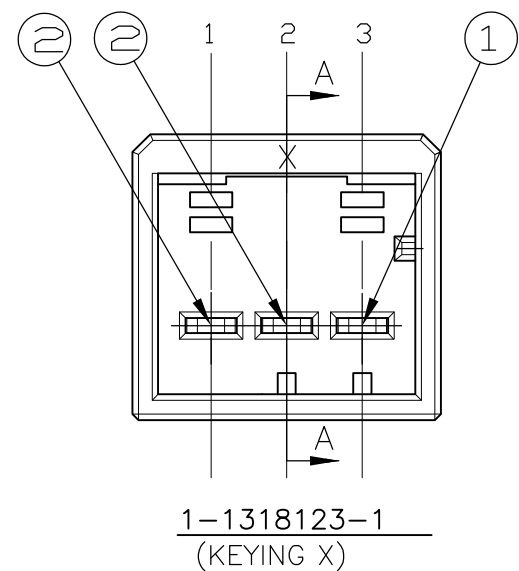
1-1318123-1;AS SHOWN SEQUENTIAL TYPE



SECT A-A

	回路番号		
	1	2	3
1列	② Signal	② Signal	① Ground

POINT OF SEQUENTIAL
1-1318123-1
(KEYING X)



1-1318123-1
(KEYING X)

NOTES

- 1. MATERIAL:HOUSING:GLASS FILED THERMO PLASTIC POLYESTER(94V-0)
TAB CONTACT:COPPER ALLOY
RETENTION LEG:BRASS
- △ FINISH(CONTACT AREA):0.38μmMIN GOLD PLATING OVER Ni PLATING
- △ FINISH(RETENTION LEG): TIN PLATED (CONTACT TAIL) OVER NICKEL

注記

- 1. 材料:ハウジング:ガラス入り熱可塑性ポリエステル樹脂 (94V-0)
タブ コンタクト:銅合金
リテンション レグ:黄銅
- △ めっき:コンタクト:全面Ni下地
接触部:0.38μm MIN金めっき
- △ めっき:リテンションレグとコンタクト半田付部
:ニッケル下地の上にスズめっき

X	BLACK	1-1318123-1
KEY	COLOR	PART No.

THIS DRAWING IS A CONTROLLED DOCUMENT.		DWN K.IKEDA 07DEC1998	TE Connectivity																									
DIMENSIONS: mm		CHK N.MATSUBARA 07DEC2012																										
TOLERANCES UNLESS OTHERWISE SPECIFIED:		APVD I.HASEGAWA 07DEC2012	NAME SINGLE ROW HEADER ASSY 3P V-TYPE DYNAMIC D-2100D																									
<table border="0"> <tr><td>0 PLC</td><td>±</td><td>10₂</td><td>±0.3</td></tr> <tr><td>1 PLC</td><td>±</td><td>30₂ > 10</td><td>±0.35</td></tr> <tr><td>2 PLC</td><td>±</td><td>100₂ > 30</td><td>±0.4</td></tr> <tr><td>3 PLC</td><td>±</td><td></td><td></td></tr> <tr><td>4 PLC</td><td>±</td><td></td><td></td></tr> <tr><td>ANGLES</td><td></td><td></td><td>±3°</td></tr> </table>		0 PLC	±	10 ₂	±0.3	1 PLC	±	30 ₂ > 10	±0.35	2 PLC	±	100 ₂ > 30	±0.4	3 PLC	±			4 PLC	±			ANGLES			±3°	PRODUCT SPEC 108-5619	RESTRICTED TO	
0 PLC	±	10 ₂	±0.3																									
1 PLC	±	30 ₂ > 10	±0.35																									
2 PLC	±	100 ₂ > 30	±0.4																									
3 PLC	±																											
4 PLC	±																											
ANGLES			±3°																									
MATERIAL SEE NOTE		APPLICATION SPEC 114-5258	SIZE A3	CAGE CODE 00779	DRAWING NO C-1318123																							
FINISH SEE NOTE		WEIGHT	SCALE 4:1		SHEET 2 OF 2																							
CUSTOMER DRAWING			REV C																									

X-ON Electronics

Largest Supplier of Electrical and Electronic Components

Click to view similar products for [Headers & Wire Housings](#) category:

Click to view products by [TE Connectivity](#) manufacturer:

Other Similar products are found below :

[892-18-020-10-001101](#) [58102-G61-06LF](#) [582553-1](#) [0009485154](#) [009176003701906](#) [0050291907](#) [LY20-4P-DT1-P1E-BR](#) [02.125.8002.8](#)
[609-3404](#) [61062-3](#) [61082-181009](#) [622-3653LF](#) [63453-116](#) [636-1030](#) [636-1427](#) [636-3427](#) [636-4007](#) [641938-9](#) [641991-4](#) [644827-2](#) [65817-010LF](#) [65817-015LF](#) [65863-015LF](#) [66207-023LF](#) [67095-007LF](#) [67601157](#) [68645-018](#) [68648-049](#) [70.362.1628.0](#) [70-4210](#) [70-4226B](#) [70-4853B](#) [707-5020](#) [707-5028](#) [71.350.2428.0](#) [71918-208LF](#) [71961-016LF](#) [733-134](#) [733-162](#) [754199-000](#) [760-3052](#) [787-8014-00](#) [79531-3000](#)
[FCN-360C032-B](#) [FCN-367T-T012/H](#) [FCN-723D010/2](#) [80.063.4001.1](#) [800-90-001-10-001000](#) [800-90-010-10-002000](#) [801-43-002-10-013000](#)