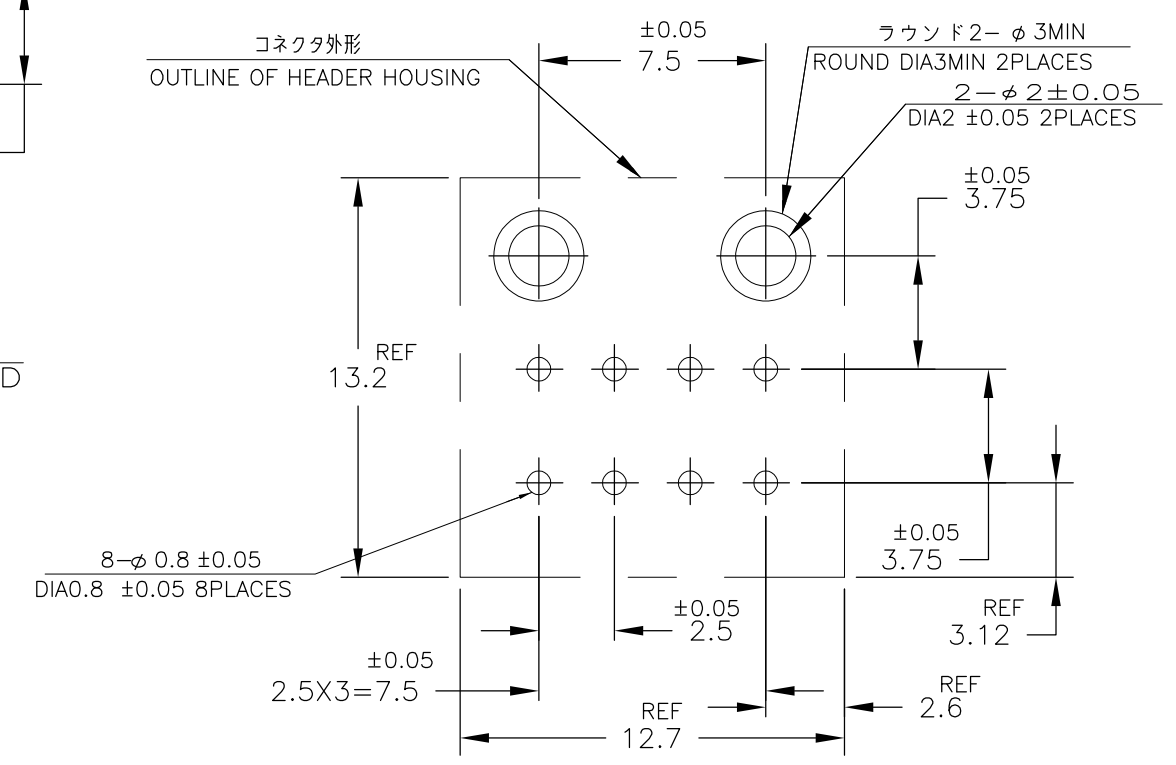
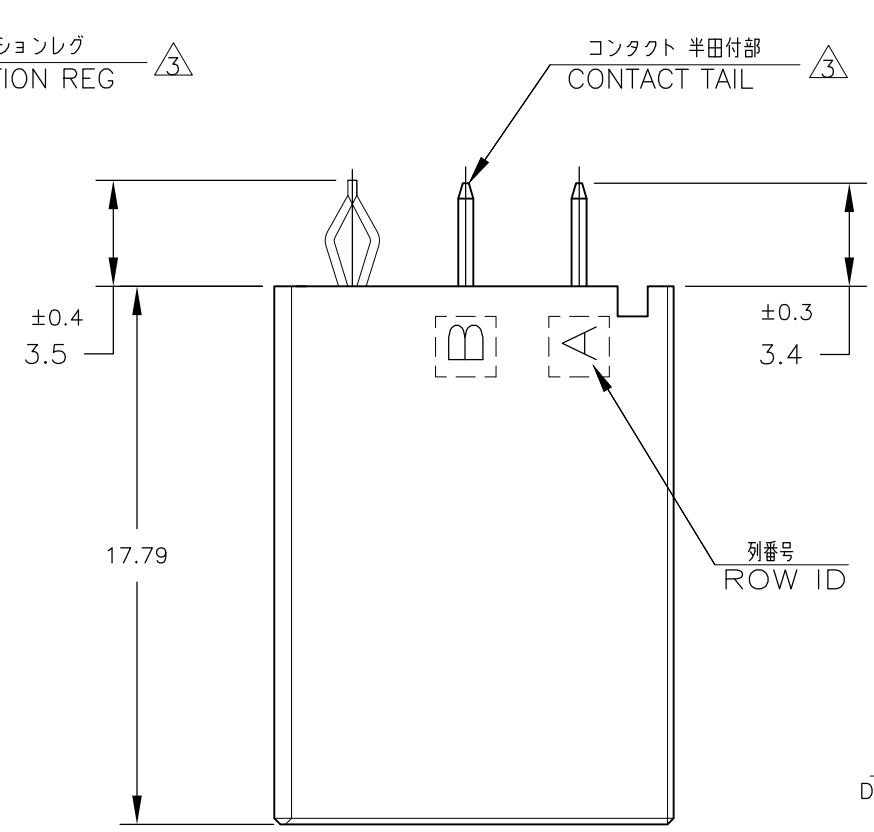
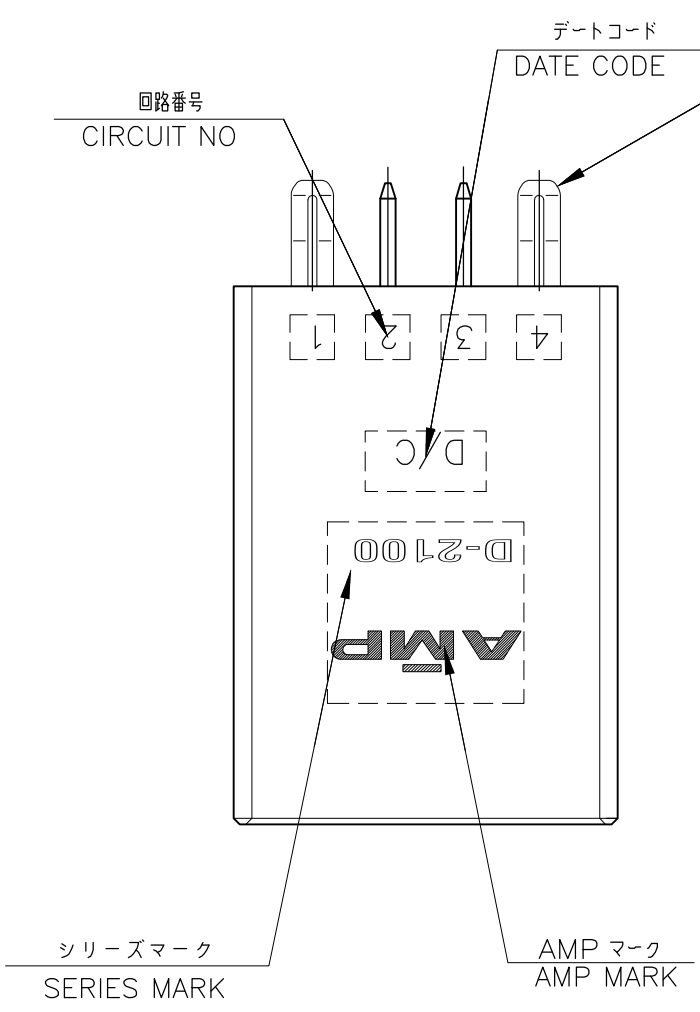
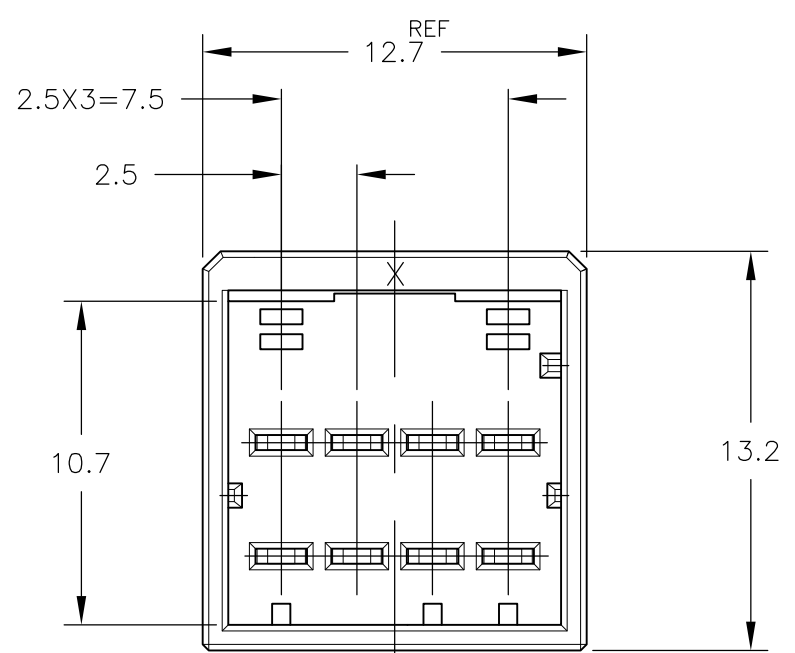


THIS DRAWING IS UNPUBLISHED. RELEASED FOR PUBLICATION
 © COPYRIGHT 2012 By Tyco Electronics Japan G.K. ALL RIGHTS RESERVED.

LOC	DIST	REVISIONS					
J	—	P	LTR	DESCRIPTION	DATE	DWN	APVD
		D		REVISED	11MAY2012	H.M	N.Y



推奨基板取付け穴寸法 (公差: ±0.05)
 PC 基板厚: 1.6 ±0.3
 (コネクタ搭載面)
 RECOMMENDED PC BOARD HOLE PATTERN (TOLERANCE :±0.05)
 PC BOARD THICKNESS:1.6±0.3
 (CONNECTOR MOUNT SIDE)



NOTES

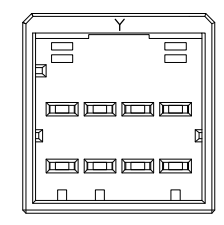
- MATERIAL:HOUSING:GLASS FILED THERMO PLASTIC POLYESTER(94V-0)
 TAB CONTACT:COPPER ALLOY
 RETENTION LEG:BRASS
- △ FINISH(CONTACT AREA):0.38μmMIN GOLD PLATING OVER Ni PLATING
- △ FINISH(RETENTION LEG): TIN PLATED (CONTACT TAIL) OVER NICKEL

注記

- 材料:ハウジング:ガラス入り熱可塑性ポリエステル樹脂 (94V-0)
 タブ コンタクト:銅合金
 リテンション レグ:黄銅
- めっき:コンタクト:全面Ni下地
 接触部:0.38μmMIN金めっき
- めっき:リテンションレグとコンタクト半田付部:ニッケル下地の上にスズめっき

Y	NATURAL	9-1318125-2
Y	BLACK	1318125-2
X	BLACK	1318125-1
KEY	COLOR	PART No.

1318125-1
(KEYING X)

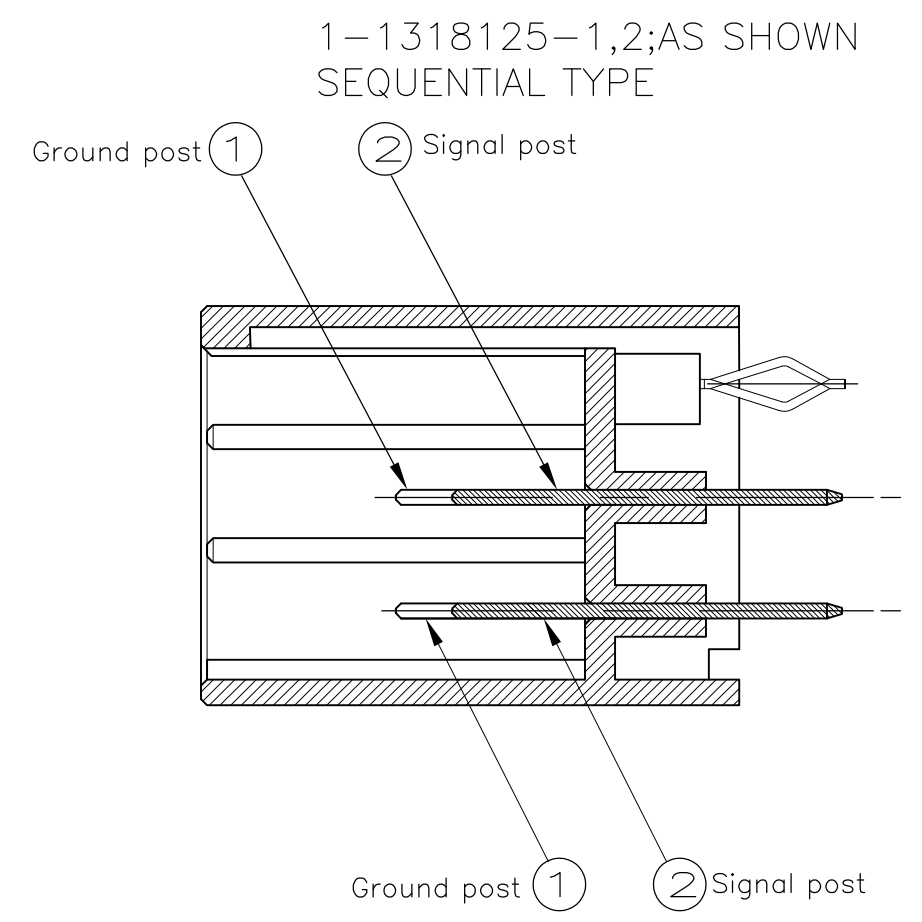
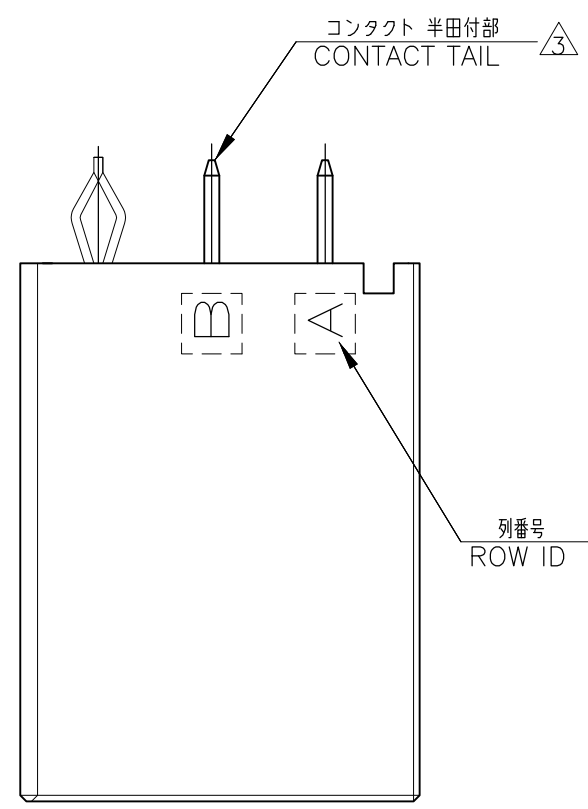
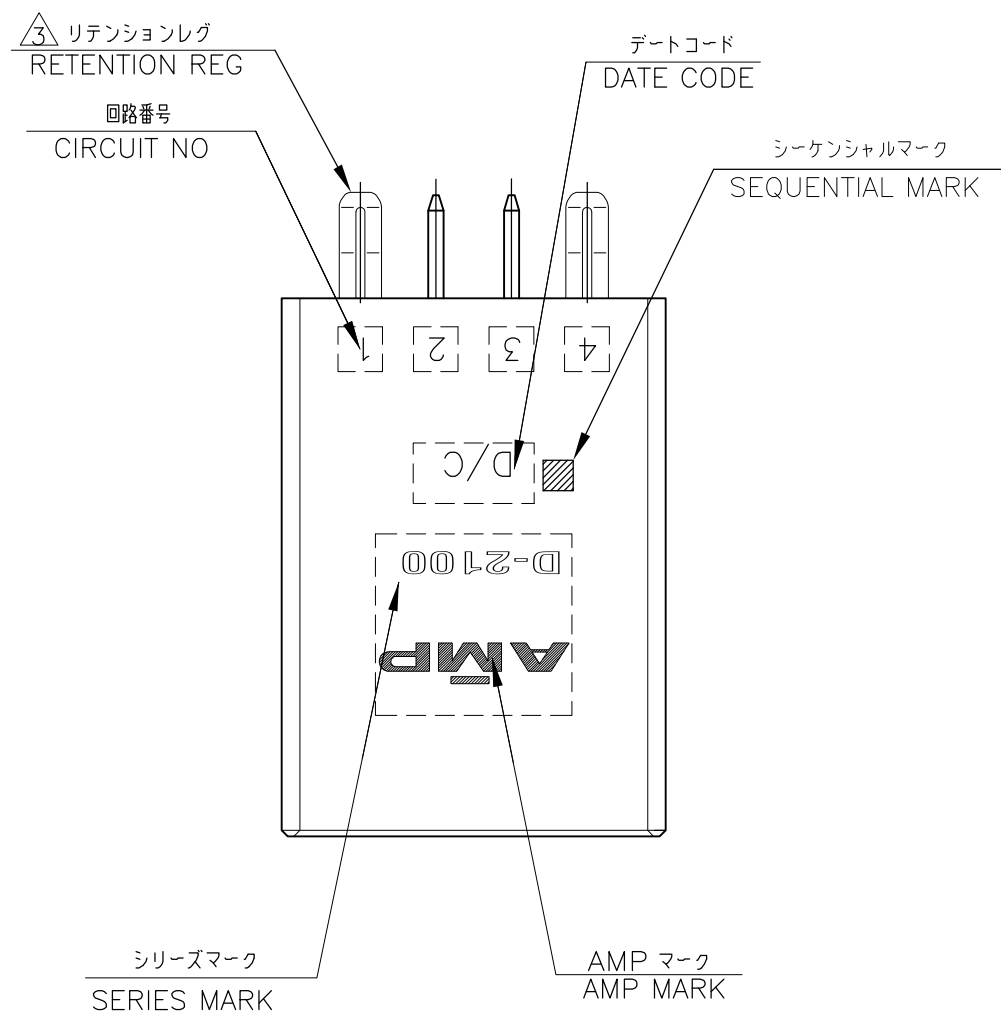


1318125-2
(KEYING Y)
SCALE:2-1

THIS DRAWING IS A CONTROLLED DOCUMENT.		DWN	I.IKEDA	07DEC1998	STE TE Connectivity
DIMENSIONS: mm		CHK	N.MATSUBARA	07DEC1998	
TOLERANCES UNLESS OTHERWISE SPECIFIED:		APVD	I.HASEGAWA	07DEC1998	NAME
0 PLC ± 0.3		PRODUCT SPEC		DOUBLE ROW HEADER ASSY 8P V-TYPE	
1 PLC ± 30 > 10 : ±0.35		APPLICATION SPEC		DYNAMIC D-2100D	
2 PLC ± 100 > 30 : ±0.4		WEIGHT		SIZE	CAGE CODE
3 PLC ±		CUSTOMER DRAWING		114-5258	DRAWING NO
4 PLC ANGLES ± 3°		SCALE		A3	00779
MATERIAL SEE NOTE		FINISH SEE NOTE		G-1318125	
		RESTRICTED TO		—	
		SHEET		1 OF 2	
		REV		D	

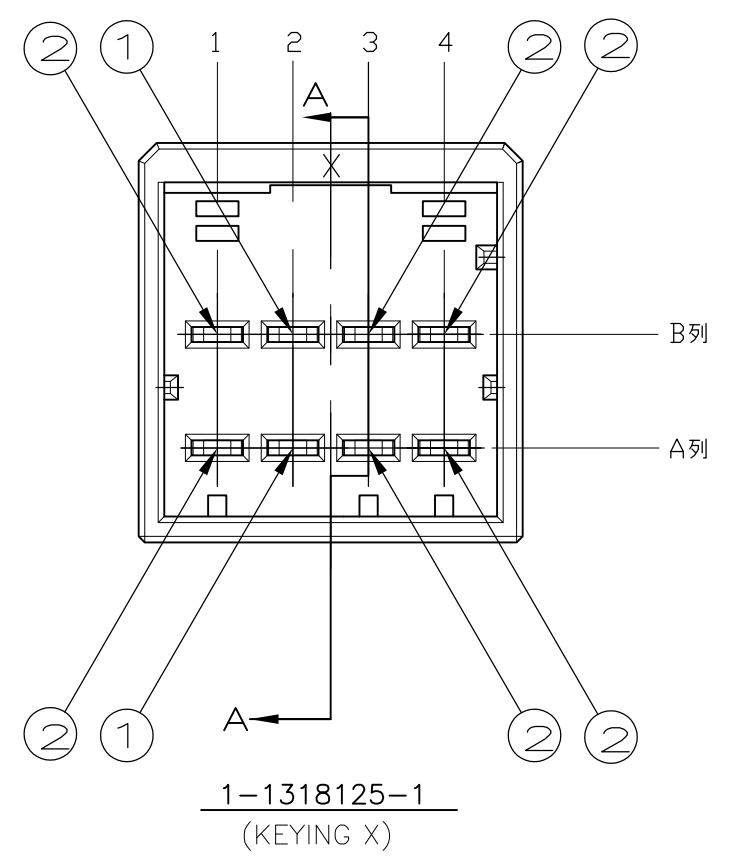
THIS DRAWING IS UNPUBLISHED. RELEASED FOR PUBLICATION
 © COPYRIGHT 2012 By Tyco Electronics Japan G.K. ALL RIGHTS RESERVED.

LOC	DIST	REVISIONS					
J	—	P	LTR	DESCRIPTION	DATE	DWN	APVD
				SEE SHEET 1	—	—	—



		回路番号			
		1	2	3	4
列番号	B	② Signal	① Ground	② Signal	② Signal
	A	② Signal	① Ground	② Signal	② Signal

POINT OF SEQUENTIAL
 1-1318125-1,2



NOTES
 1. MATERIAL:HOUSING:GLASS FILED THERMO PLASTIC POLYESTER(94V-0)
 TAB CONTACT:COPPER ALLOY
 RETENTION LEG:BRASS
 △ FINISH(CONTACT AREA):0.38μmMIN GOLD PLATING OVER Ni PLATING
 △ FINISH(RETENTION LEG): TIN PLATED (CONTACT TAIL) OVER NICKEL

注記
 1. 材料:ハウジング:ガラス入り熱可塑性ポリエステル樹脂(94V-0)
 タブコンタクト:銅合金
 リテンションレグ:黄銅
 △めっき:コンタクト:全面Ni下地 接触部:0.38μmMIN金めっき
 △めっき:リテンションレグとコンタクト半田付部:ニッケル下地の上にスズめっき

Y	BLACK	1-1318125-2
X	BLACK	1-1318125-1
KEY	COLOR	PART No.

THIS DRAWING IS A CONTROLLED DOCUMENT.

DIMENSIONS: mm	TOLERANCES UNLESS OTHERWISE SPECIFIED: 0 PLC ± 0.3 1 PLC ± 0.35 2 PLC ± 0.35 3 PLC ± 0.4 4 PLC ± 0.4 ANGLES ± 3°	DWN I.IKEDA 07DEC1998 CHK N.MATSUBARA 07DEC1998 APVD I.HASEGAWA 07DEC1998 PRODUCT SPEC 108-5619 APPLICATION SPEC 114-5258 WEIGHT	TE Connectivity NAME DOUBLE ROW HEADER ASSY 8P V-TYPE DYNAMIC D-2100D SIZE A3 CAGE CODE 00779 DRAWING NO C-1318125 RESTRICTED TO —	
MATERIAL SEE NOTE	FINISH SEE NOTE	CUSTOMER DRAWING	SCALE 4:1	SHEET 2 OF 2

X-ON Electronics

Largest Supplier of Electrical and Electronic Components

Click to view similar products for [Headers & Wire Housings](#) category:

Click to view products by [TE Connectivity](#) manufacturer:

Other Similar products are found below :

[892-18-020-10-001101](#) [58102-G61-06LF](#) [582553-1](#) [0009485154](#) [009176003701906](#) [0050291907](#) [LY20-4P-DT1-P1E-BR](#) [02.125.8002.8](#)
[609-3404](#) [61062-3](#) [61082-181009](#) [622-3653LF](#) [63453-116](#) [636-1030](#) [636-1427](#) [636-3427](#) [636-4007](#) [641938-9](#) [641991-4](#) [644827-2](#) [65817-](#)
[010LF](#) [65817-015LF](#) [65863-015LF](#) [66207-023LF](#) [67095-007LF](#) [67601157](#) [68645-018](#) [68648-049](#) [70.362.1628.0](#) [70-4210](#) [70-4226B](#) [70-](#)
[4853B](#) [707-5020](#) [707-5028](#) [71.350.2428.0](#) [71918-208LF](#) [71961-016LF](#) [733-134](#) [733-162](#) [754199-000](#) [760-3052](#) [787-8014-00](#) [79531-3000](#)
[FCN-360C032-B](#) [FCN-367T-T012/H](#) [FCN-723D010/2](#) [80.063.4001.1](#) [800-90-001-10-001000](#) [800-90-010-10-002000](#) [801-43-002-10-013000](#)