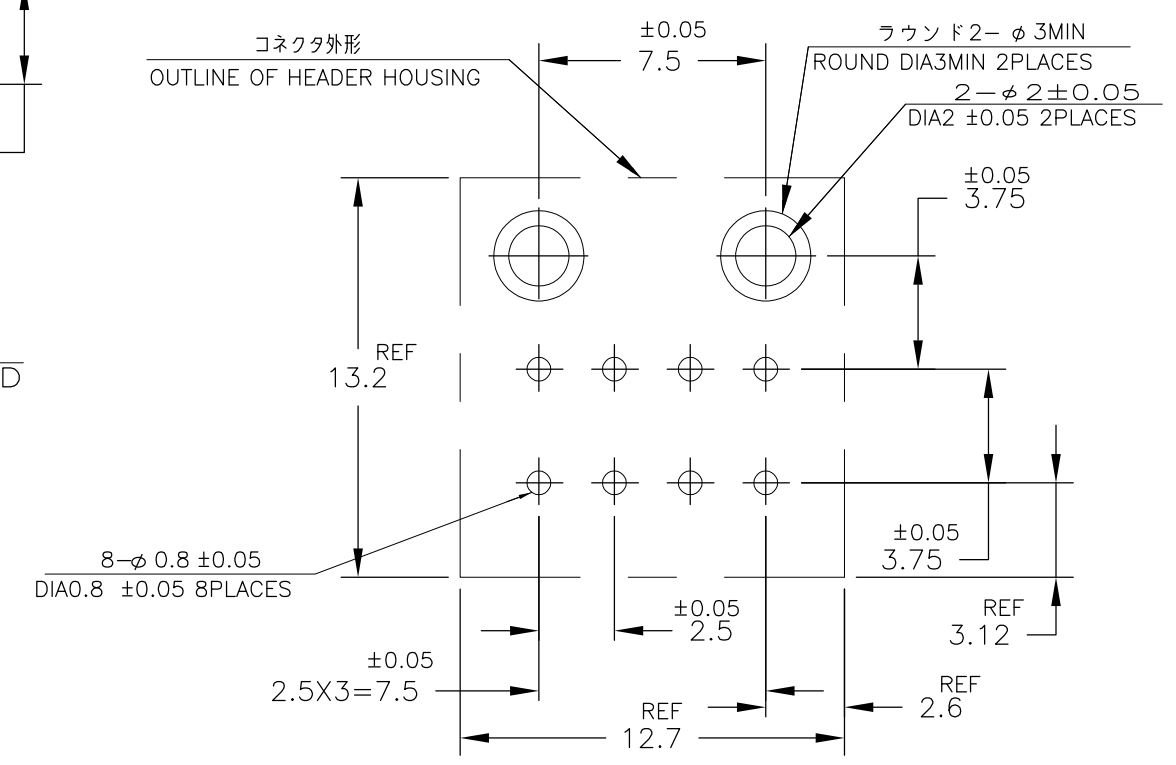
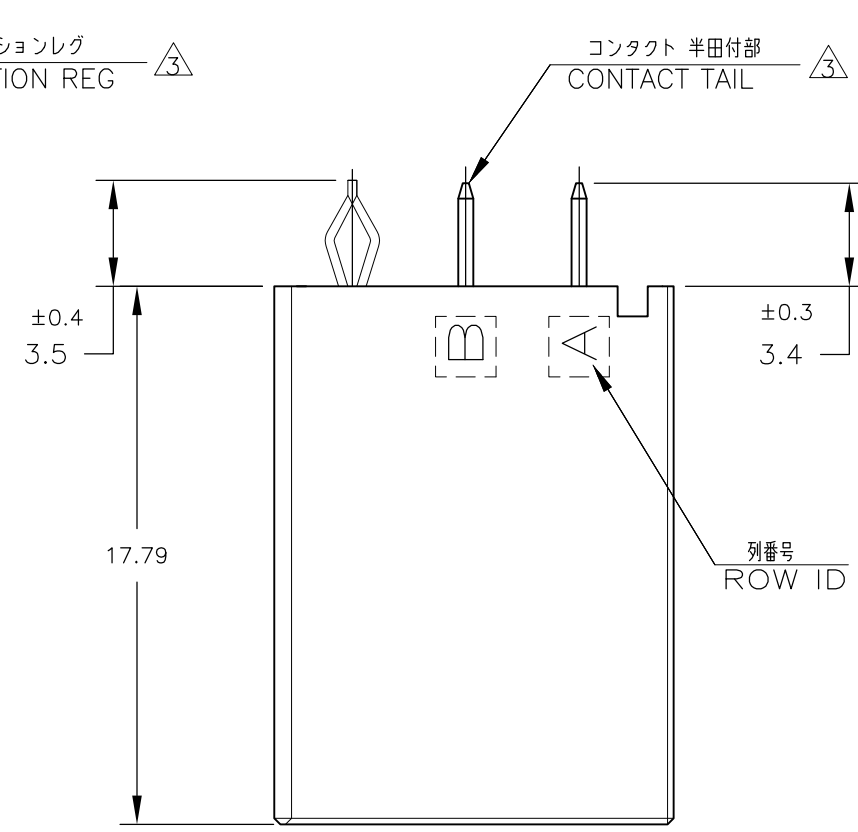
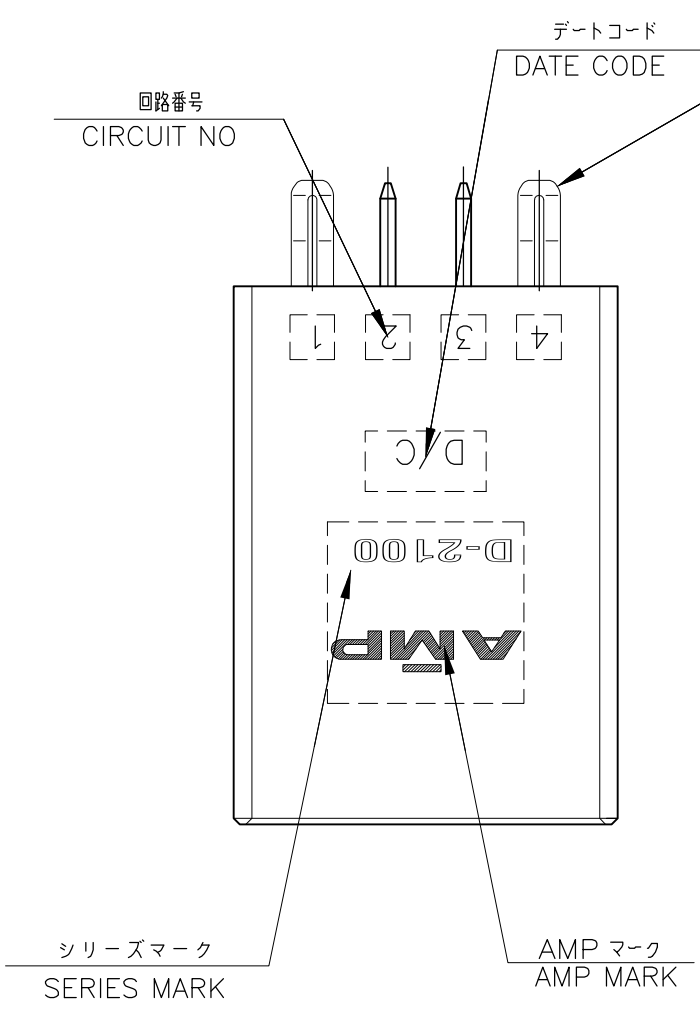
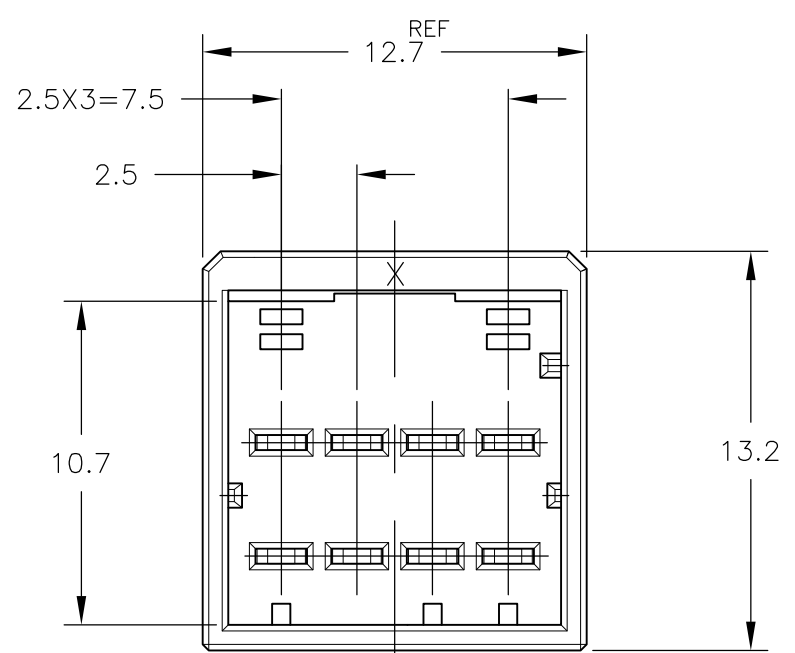


THIS DRAWING IS UNPUBLISHED. RELEASED FOR PUBLICATION  
 © COPYRIGHT 2012 By Tyco Electronics Japan G.K. ALL RIGHTS RESERVED.

| LOC | DIST | REVISIONS |     |             |           |     |      |
|-----|------|-----------|-----|-------------|-----------|-----|------|
| J   | —    | P         | LTR | DESCRIPTION | DATE      | DWN | APVD |
|     |      | D         |     | REVISED     | 11MAY2012 | H.M | N.Y  |



推奨基板取付け穴寸法 (公差: ±0.05)  
 PC 基板厚: 1.6 ±0.3  
 (コネクタ搭載面)  
 RECOMMENDED PC BOARD HOLE PATTERN (TOLERANCE :±0.05)  
 PC BOARD THICKNESS:1.6±0.3  
 (CONNECTOR MOUNT SIDE)



- NOTES
- MATERIAL:HOUSING:GLASS FILED THERMO PLASTIC POLYESTER(94V-0)  
 TAB CONTACT:COPPER ALLOY  
 RETENTION LEG:BRASS
  - △ FINISH(CONTACT AREA):0.38μmMIN GOLD PLATING OVER Ni PLATING  
 △ FINISH(RETENTION LEG): TIN PLATED (CONTACT TAIL) OVER NICKEL
- 注記
- 材料:ハウジング:ガラス入り熱可塑性ポリエステル樹脂 (94V-0)  
 タブ コンタクト:銅合金  
 リテンション レグ:黄銅
  - めっき:コンタクト:全面Ni下地  
 接触部:0.38μmMIN金めっき  
 △めっき:リテンションレグとコンタクト半田付部:ニッケル下地の上にスズめっき

|     |         |             |
|-----|---------|-------------|
| Y   | NATURAL | 9-1318125-2 |
| Y   | BLACK   | 1318125-2   |
| X   | BLACK   | 1318125-1   |
| KEY | COLOR   | PART No.    |

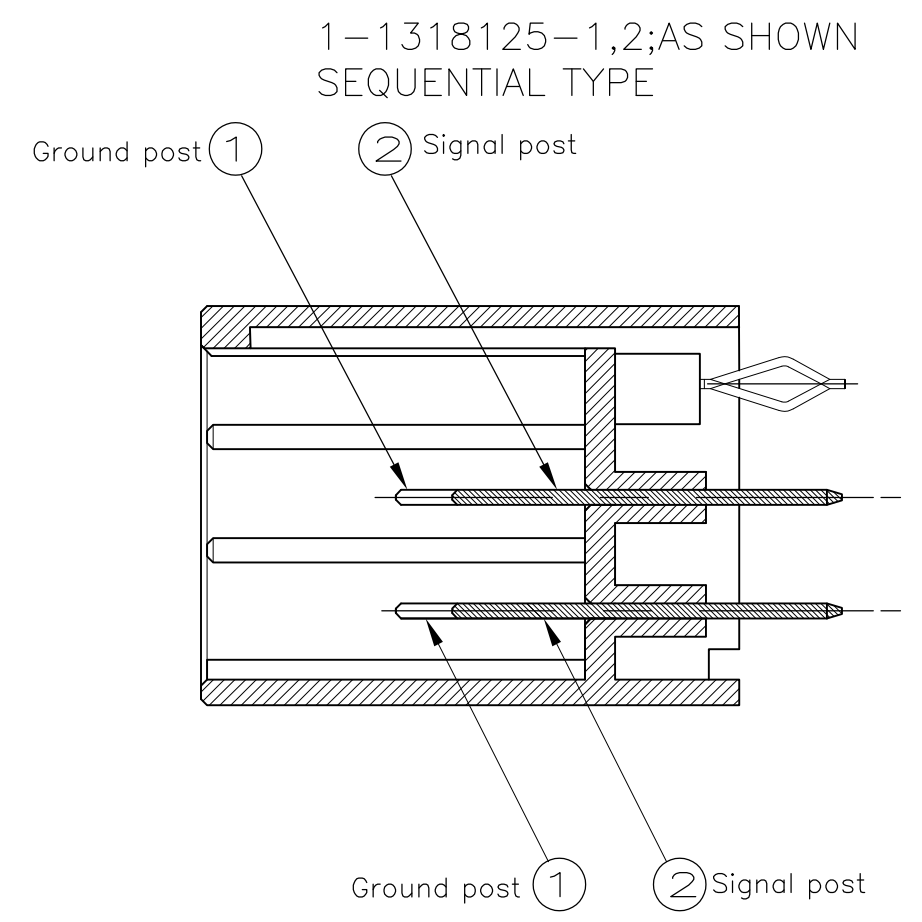
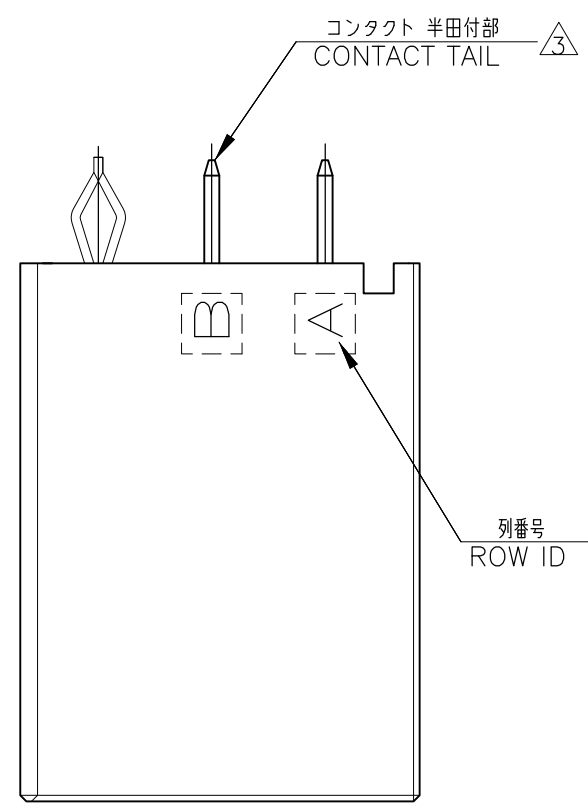
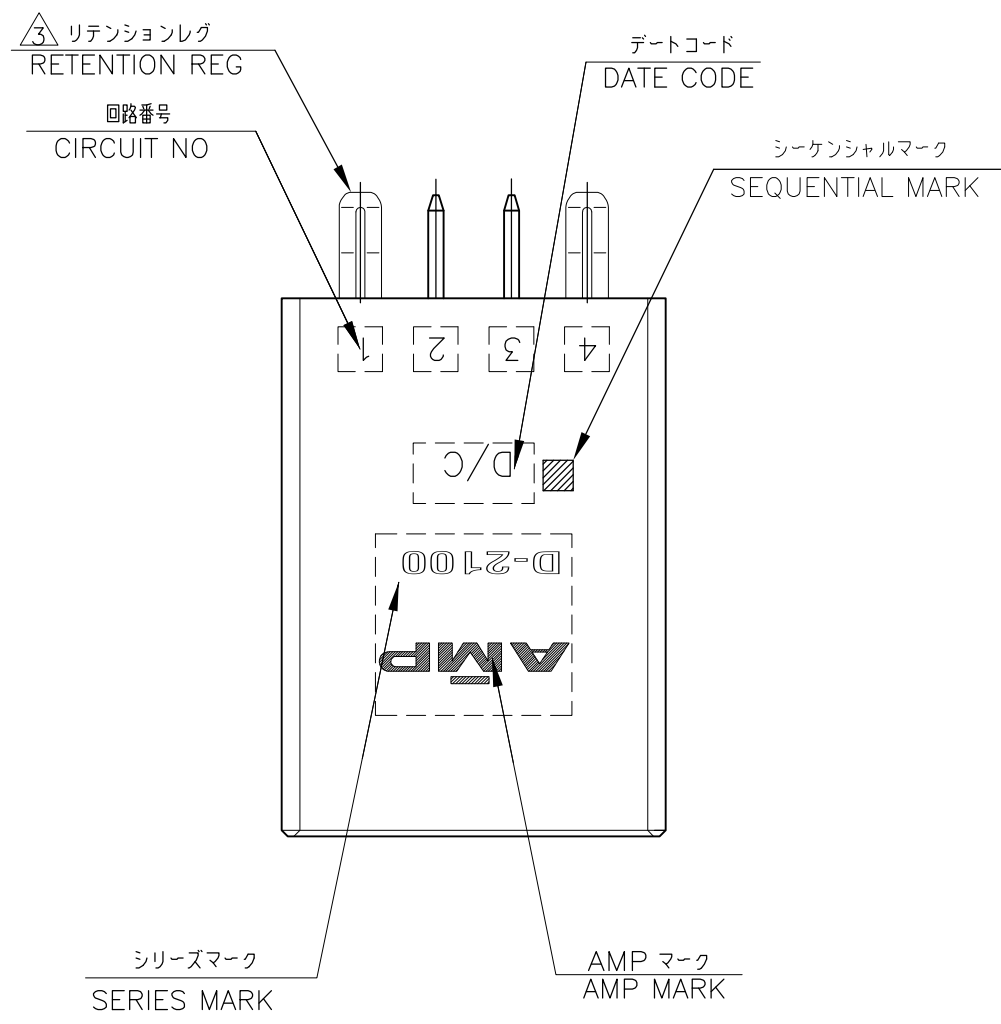
1318125-1  
(KEYING X)

1318125-2  
(KEYING Y)  
SCALE:2-1

|  |  |                  |             |                                  |                            |
|--|--|------------------|-------------|----------------------------------|----------------------------|
| THIS DRAWING IS A CONTROLLED DOCUMENT. |  | DWN              | I.IKEDA     | 07DEC1998                        | <b>STE</b> TE Connectivity |
| DIMENSIONS: mm                         |  | CHK              | N.MATSUBARA | 07DEC1998                        |                            |
| TOLERANCES UNLESS OTHERWISE SPECIFIED: |  | APVD             | I.HASEGAWA  | 07DEC1998                        | NAME                       |
| 0 PLC ± 0.3                            |  | PRODUCT SPEC     |             | DOUBLE ROW HEADER ASSY 8P V-TYPE |                            |
| 1 PLC ± 30 > 10 : ±0.35                |  | APPLICATION SPEC |             | DYNAMIC D-2100D                  |                            |
| 2 PLC ± 100 > 30 : ±0.4                |  | WEIGHT           |             | SIZE                             | CAGE CODE                  |
| 3 PLC ±                                |  | CUSTOMER DRAWING |             | 114-5258                         | DRAWING NO                 |
| 4 PLC ANGLES ± 3°                      |  | SCALE            |             | A3                               | 00779                      |
| MATERIAL SEE NOTE                      |  | FINISH SEE NOTE  |             | C=1318125                        |                            |
|  |  | RESTRICTED TO    |             | —                                |                            |
|  |  | SHEET            |             | 1 OF 2                           |                            |
|  |  | REV              |             | D                                |                            |

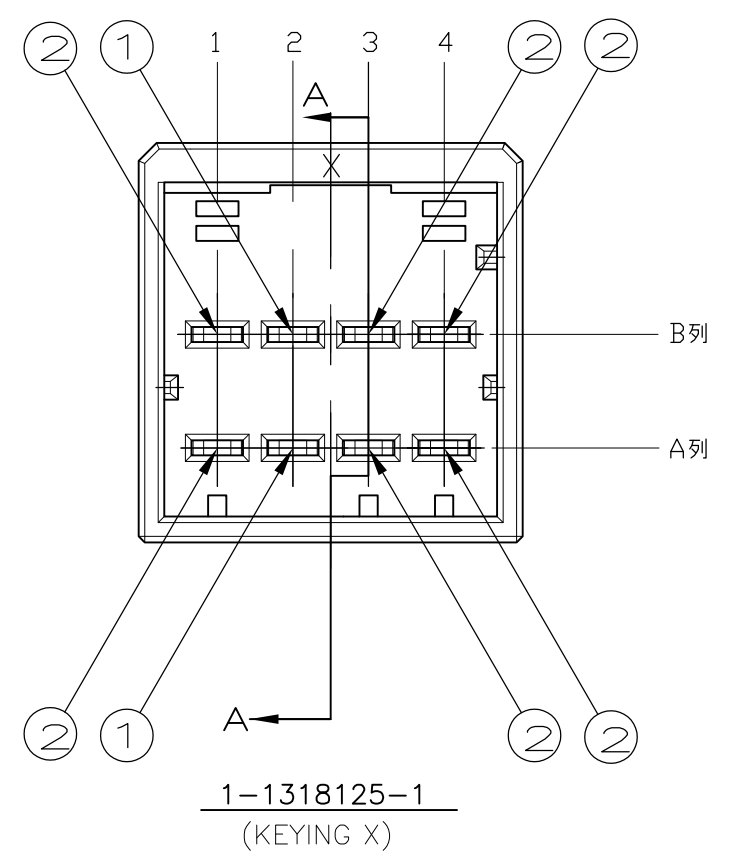
THIS DRAWING IS UNPUBLISHED. RELEASED FOR PUBLICATION  
 © COPYRIGHT 2012 By Tyco Electronics Japan G.K. ALL RIGHTS RESERVED.

| LOC | DIST | REVISIONS |     |             |      |     |      |
|-----|------|-----------|-----|-------------|------|-----|------|
| J   | —    | P         | LTR | DESCRIPTION | DATE | DWN | APVD |
|     |      |           |     | SEE SHEET 1 | —    | —   | —    |



|     |   | 回路番号     |          |          |          |
|-----|---|----------|----------|----------|----------|
|     |   | 1        | 2        | 3        | 4        |
| 列番号 | B | ② Signal | ① Ground | ② Signal | ② Signal |
|     | A | ② Signal | ① Ground | ② Signal | ② Signal |

POINT OF SEQUENTIAL  
 1-1318125-1,2



NOTES  
 1. MATERIAL:HOUSING:GLASS FILED THERMO PLASTIC POLYESTER(94V-0)  
 TAB CONTACT:COPPER ALLOY  
 RETENTION LEG:BRASS  
 △ FINISH(CONTACT AREA):0.38μmMIN GOLD PLATING OVER Ni PLATING  
 △ FINISH(RETENTION LEG): TIN PLATED (CONTACT TAIL) OVER NICKEL

注記  
 1. 材料:ハウジング:ガラス入り熱可塑性ポリエステル樹脂 (94V-0)  
 タブ コンタクト:銅合金  
 リテンションレグ:黄銅  
 △ めっき:コンタクト:全面Ni下地 接触部:0.38μmMIN金めっき  
 △ めっき:リテンションレグとコンタクト半田付部:ニッケル下地の上にスズめっき

|     |       |             |
|-----|-------|-------------|
| Y   | BLACK | 1-1318125-2 |
| X   | BLACK | 1-1318125-1 |
| KEY | COLOR | PART No.    |

THIS DRAWING IS A CONTROLLED DOCUMENT.

|                   |  |   |  |              |
|-------------------|--|---|--|--------------|
| DIMENSIONS: mm    | TOLERANCES UNLESS OTHERWISE SPECIFIED:<br>0 PLC ± 0.3<br>1 PLC ± 0.35<br>2 PLC ± 0.35<br>3 PLC ± 0.4<br>4 PLC ± 0.4<br>ANGLES ± 3° | DWN I.IKEDA 07DEC1998<br>CHK N.MATSUBARA 07DEC1998<br>APVD I.HASEGAWA 07DEC1998<br>PRODUCT SPEC 108-5619<br>APPLICATION SPEC 114-5258<br>WEIGHT | TE Connectivity<br>NAME DOUBLE ROW HEADER ASSY 8P V-TYPE DYNAMIC D-2100D<br>SIZE A3 CAGE CODE 00779 DRAWING NO C-1318125 RESTRICTED TO — |              |
| MATERIAL SEE NOTE | FINISH SEE NOTE  | CUSTOMER DRAWING  | SCALE 4:1  | SHEET 2 OF 2 |

## X-ON Electronics

Largest Supplier of Electrical and Electronic Components

*Click to view similar products for [Headers & Wire Housings](#) category:*

*Click to view products by [TE Connectivity](#) manufacturer:*

Other Similar products are found below :

[892-18-020-10-001101](#) [58102-G61-06LF](#) [582553-1](#) [0009485154](#) [009176003701906](#) [0050291907](#) [LY20-4P-DT1-P1E-BR](#) [02.125.8002.8](#)  
[609-3404](#) [61062-3](#) [61082-181009](#) [622-3653LF](#) [63453-116](#) [636-1030](#) [636-1427](#) [636-3427](#) [636-4007](#) [641938-9](#) [641991-4](#) [644827-2](#) [65817-010LF](#) [65817-015LF](#) [65863-015LF](#) [66207-023LF](#) [67095-007LF](#) [67601157](#) [68645-018](#) [68648-049](#) [70.362.1628.0](#) [70-4210](#) [70-4226B](#) [70-4853B](#) [707-5020](#) [707-5028](#) [71.350.2428.0](#) [71918-208LF](#) [71961-016LF](#) [733-134](#) [733-162](#) [754199-000](#) [760-3052](#) [787-8014-00](#) [79531-3000](#)  
[FCN-360C032-B](#) [FCN-367T-T012/H](#) [FCN-723D010/2](#) [80.063.4001.1](#) [800-90-001-10-001000](#) [800-90-010-10-002000](#) [801-43-002-10-013000](#)