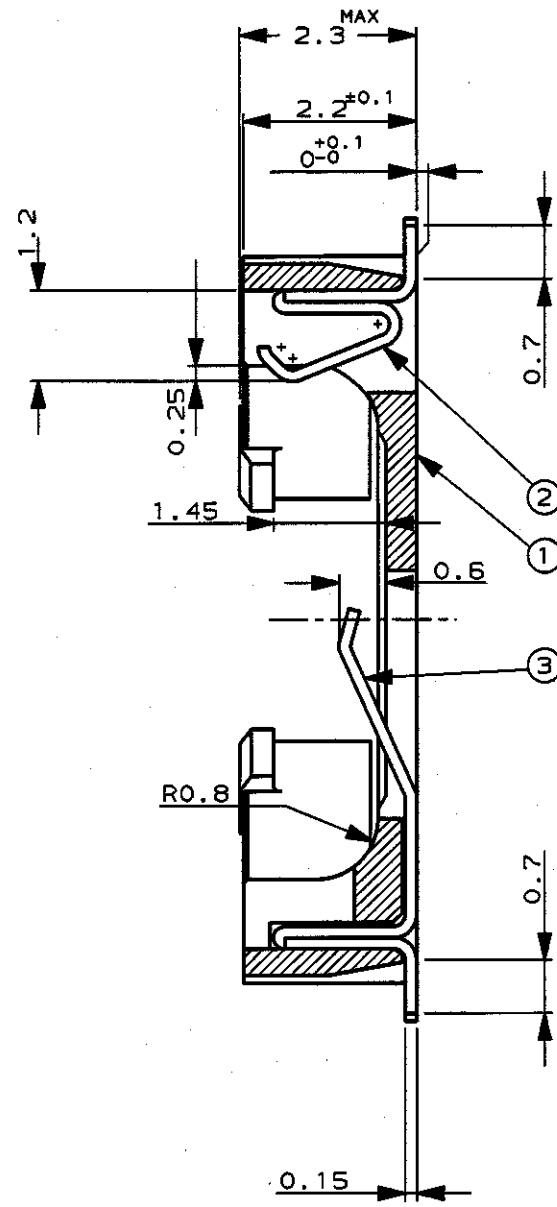
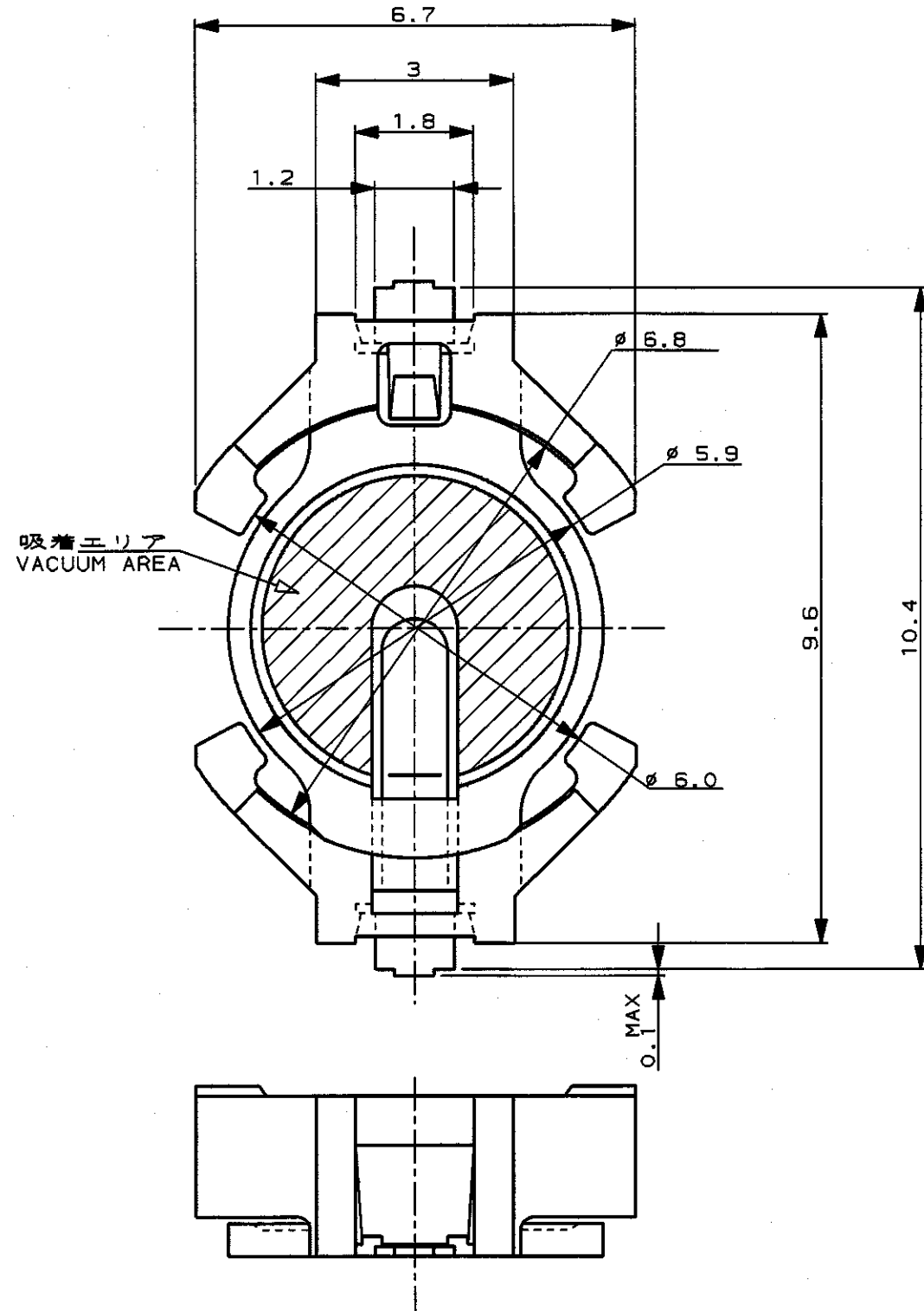


LOC J DIST

REVISIONS

P	LTR	DESCRIPTION	ECN	DATE	DWN	APVD
0		RELEASED	FJ00-1654-98	16NOV'98	T.K	K.K
A		REVISED	FJ00-0396-99	23APR'99	T.K	K.K



注記

△ 重量 0.073g
 2. エンボステープ入り型番: 1318164-1
 単品型番: 1318164-2

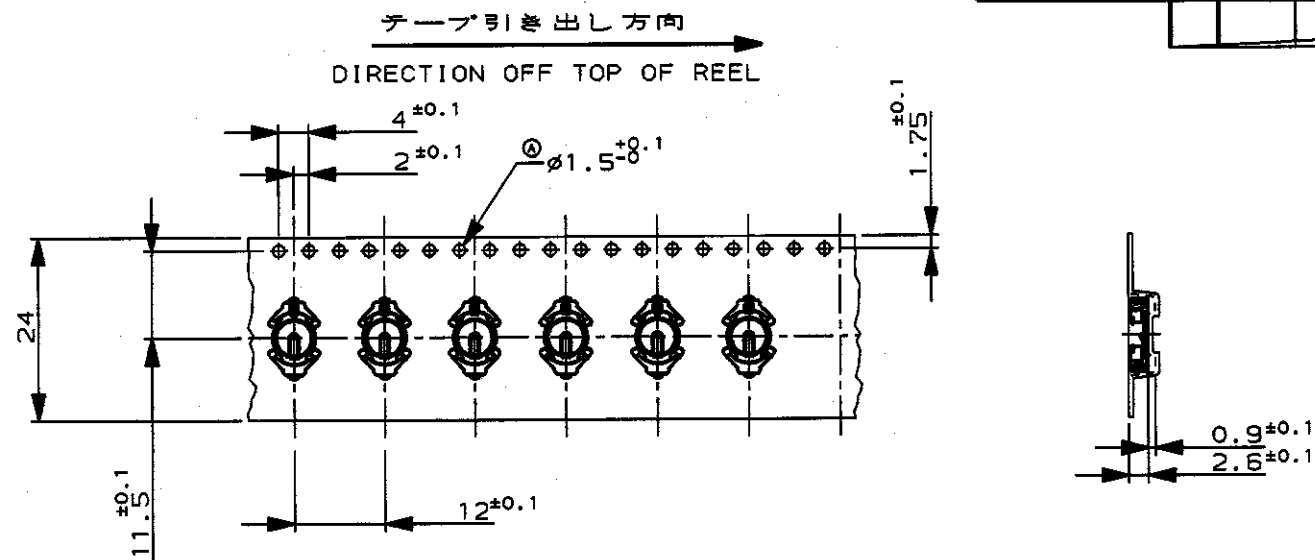
NOTES

△ NET WEIGHT, 0.073g
 2. P/N WITH EMBOSS TAPE : 1318164-1
 LOOSE PIECE : 1318164-2

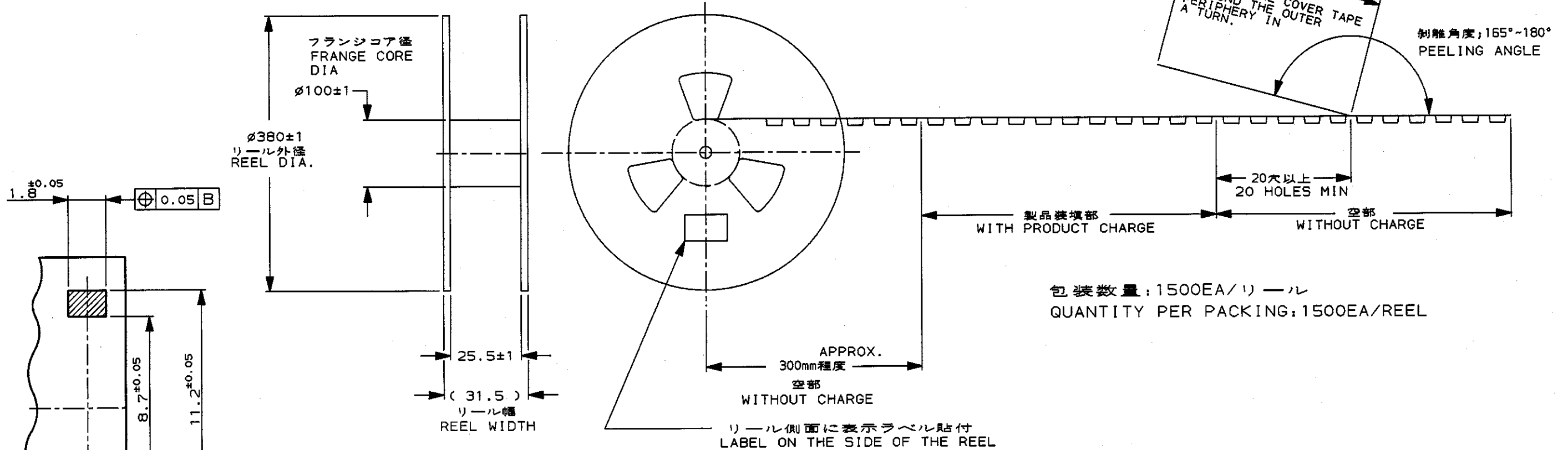
MATERIAL	NAME	ITEM
STAINLESS STEEL	- CONTACT	③
STAINLESS STEEL	+ CONTACT	②
THERMOPLASTIC (HIGH TEMPERATURE NYLON)	HOUSING	①

THIS DRAWING IS A CONTROLLED DOCUMENT FOR AMP INCORPORATED. IT IS SUBJECT TO CHANGE AND THE CONTROLLING ENGINEERING ORGANIZATION SHOULD BE CONTACTED FOR THE LATEST REVISION.		OWN T. KIMURA 13/NOV/1998	AMP 株式会社 Kawasaki, Japan
DIMENSIONS 単位: 概 mm		CHK K. KODAIRA 16/NOV/1998	
TOLERANCES UNLESS OTHERWISE SPECIFIED 一般公差 10mm : ±0.15 30mm : ±0.25 100mm : ±0.3 ANGLE : ±3°		APVD K. KODAIRA 16/NOV/1998	NAME 名称
MATERIAL 材料 SEE TABLE		FINISH 仕上	PRODUCT SPEC 製品規格 108-5631
WEIGHT 重量 △		CUSTOMER DRAWING	BATTERY HOLDER FOR ML614
SCALE 尺度 10/1		SIZE A3	CAGE CODE 00779
SHEET 1		DRAWING NO C=1318164	RESTRICTED TO 番号
OF 2		REV A	

LOC		DIST		REVISIONS					
				変更	DESCRIPTION	ECN	DATE	DWN	APVD
J					SEE 1 OF 2				



エンボステープ包装図
ENBOSS TAPING (SCALE, 1-1)



推奨基板パターン形状
RECOMMENDED PATTERN DIMENSION
(scale, 5-1)

THIS DRAWING IS A CONTROLLED DOCUMENT FOR AMP INCORPORATED. IT IS SUBJECT TO CHANGE AND THE CONTROLLING ENGINEERING ORGANIZATION SHOULD BE CONTACTED FOR THE LATEST REVISION.		DWN		AMP		日本エー・エム・ピー株式会社 Kawasaki, Japan	
DIMENSIONS: 単位: 純 mm		TOLERANCES UNLESS OTHERWISE SPECIFIED		NAME 名称		BATTERY HOLDER FOR ML614	
MATERIAL 材料		FINISH 仕上		PRODUCT SPEC 製品規格		SIZE CAGE CODE DRAWING NO 番号	
				APPLICATION SPEC 取付通用規格		A3 00779 C-1318164	
				WEIGHT		RESTRICTED TO	
				CUSTOMER DRAWING		SCALE 尺度 # SHEET 2 OF 2 REV A	

X-ON Electronics

Largest Supplier of Electrical and Electronic Components

Click to view similar products for [Cylindrical Battery Contacts, Clips, Holders & Springs](#) *category:*

Click to view products by [TE Connectivity](#) *manufacturer:*

Other Similar products are found below :

[753-00001](#) [12BH36A-GR](#) [200](#) [183](#) [270](#) [QX3506](#) [5220](#) [5230](#) [1055](#) [1088](#) [5250](#) [166](#) [591](#) [1044](#) [KT0008](#) [1119](#) [254TR](#) [5207](#) [1121](#) [246](#)
[4027003022001-PK](#) [12BHC186P2-GR](#) [AB2032.0](#) [4006211354](#) [4006211302](#) [392/SR41SW](#) [GP B1](#) [9V \(6LR61\)](#) [PX1604](#) [LR06 INDUSTRIAL](#)
[INTENSE](#) [LR03 INDUSTRIAL INTENSE](#) [24223](#) [1012](#) [1020](#) [1024](#) [1024C](#) [1075](#) [1077](#) [1080](#) [1088](#) [1090](#) [1096](#) [1097](#) [1098](#) [1109](#) [1126](#) [1127](#)
[1128](#) [1162](#) [1173](#) [147](#) [148](#)