

1318306-1 ✓ ACTIVE

[Positive Lock](#) | [Positive Lock 187](#)

TE Internal #: 1318306-1

Positive Lock 187, Quick Disconnects, Receptacle, 18 – 14AWG

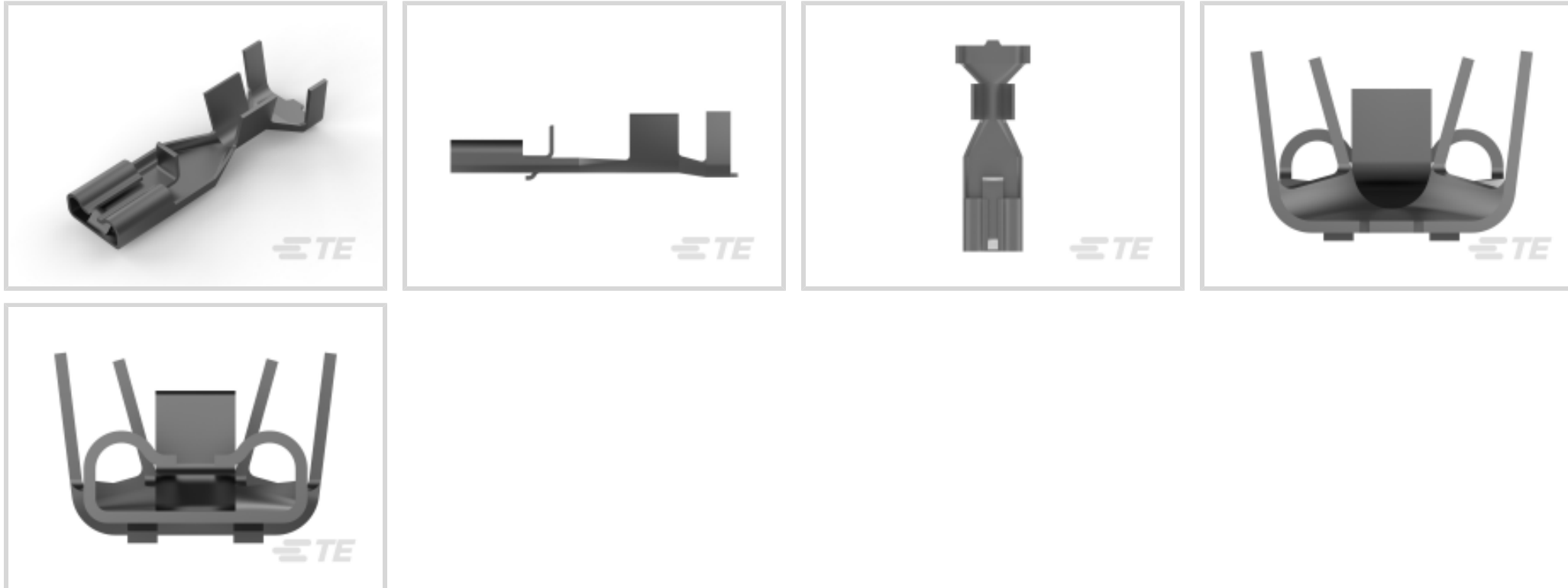
Wire Size, .82 – 2.08mm<sup>2</sup> Wire Size, Quick Disconnect Mating Tab

Width .187 in [4.75 mm]

[View on TE.com >](#)



Terminals & Splices > Quick Disconnects



Terminal & Splice Type: **Receptacle**

Wire Size: **.82 – 2.08 mm<sup>2</sup>**

Quick Disconnect Mating Tab Width: **4.75 mm [ .187 in ]**

Quick Disconnect Terminal Orientation: **Straight**

## Features

### Product Type Features

Wire/Cable Type	Regular Wire
Terminates To	Wire & Cable
Sealable	No
Insulated	No

### Configuration Features

Connection Capacity	Single
---------------------	--------

### Body Features

Fully Insulated	No
Quick Disconnect Plating Material	Pre-Tin

### Contact Features

Terminal Type	Receptacle
Terminal & Splice Type	Receptacle
Quick Disconnect Terminal Orientation	Straight
Contact Base Material	Brass



Crimp Type	F-Crimp
------------	---------

Barrel Type	Open
-------------	------

### Mechanical Attachment

Mating Retention Type	Dimple
-----------------------	--------

Wire Insulation Support	With
-------------------------	------

### Dimensions

Accepts Wire Insulation Diameter Range	2.11 – 3.6 mm [.083 – .141 in]
--	--------------------------------

Overall Length	20.6 mm [.81 in]
----------------	------------------

Receptacle Terminal Stock Thickness	.8 mm [.03 in]
-------------------------------------	----------------

Wire Size	.82 – 2.08 mm <sup>2</sup>
-----------	----------------------------

Quick Disconnect Mating Tab Width	4.75 mm [.187 in]
-----------------------------------	-------------------

### Usage Conditions

Insulation Requirement	Uninsulated
------------------------	-------------

Operating Temperature Range	-40 – 110 °C [-40 – 230 °F]
-----------------------------	-----------------------------

### Packaging Features

Packaging Quantity	5000
--------------------	------

Quick Disconnect Packaging Method	Strip/Reel
-----------------------------------	------------

### Product Compliance

[For compliance documentation, visit the product page on TE.com>](#)

EU RoHS Directive 2011/65/EU	Compliant
------------------------------	-----------

EU ELV Directive 2000/53/EC	Out of Scope
-----------------------------	--------------

China RoHS 2 Directive MIIT Order No 32, 2016	No Restricted Materials Above Threshold
---	---

EU REACH Regulation (EC) No. 1907/2006	Current ECHA Candidate List: JUL 2021 (219) Candidate List Declared Against: JUL 2021 (219) Does not contain REACH SVHC
--	---

Halogen Content	Low Halogen - Br, Cl, F, I < 900 ppm per homogenous material. Also BFR/CFR/PVC Free
-----------------	---

Solder Process Capability	Not reviewed for solder process capability
---------------------------	--

#### Product Compliance Disclaimer

This information is provided based on reasonable inquiry of our suppliers and represents our current actual knowledge based on the information they provided. This information is subject to change. The part numbers that TE has identified as

EU RoHS compliant have a maximum concentration of 0.1% by weight in homogenous materials for lead, hexavalent chromium, mercury, PBB, PBDE, DBP, BBP, DEHP, DIBP, and 0.01% for cadmium, or qualify for an exemption to these limits as defined in the Annexes of Directive 2011/65/EU (RoHS2). Finished electrical and electronic equipment products will be CE marked as required by Directive 2011/65/EU. Components may not be CE marked. Additionally, the part numbers that TE has identified as EU ELV compliant have a maximum concentration of 0.1% by weight in homogenous materials for lead, hexavalent chromium, and mercury, and 0.01% for cadmium, or qualify for an exemption to these limits as defined in the Annexes of Directive 2000/53/EC (ELV). Regarding the REACH Regulation, the information TE provides on SVHC in articles for this part number is based on the latest European Chemicals Agency (ECHA) 'Guidance on requirements for substances in articles' posted at this URL: <https://echa.europa.eu/guidance-documents/guidance-on-reach>

## Compatible Parts



TE Part # 2-2150054-2  
OCEAN\_2.0\_Applicator-E-120F232O



TE Part # 2150054-2  
OCEAN\_2.0\_Applicator-E-120F232O




TE Part # 7-2150054-2  
OCEAN\_2.0\_Applicator-E-120F232O




TE Part # 7-2150054-7  
OCEAN\_2.0\_SPARE\_PART\_KIT-120F232O

## Also in the Series | Positive Lock 187



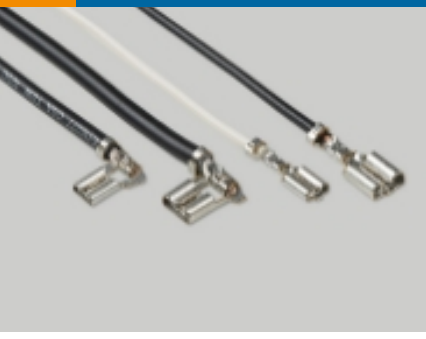
Crimp Terminal Housings(87)



Insertion & Extraction Tools(2)



Insulation Boots & Sleeves(7)

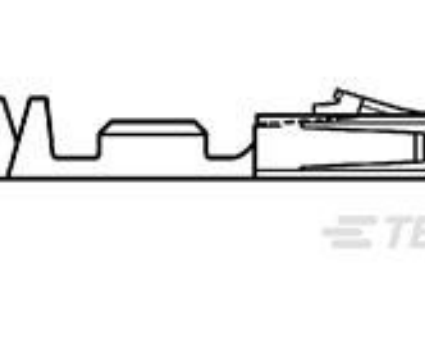


Quick Disconnects(56)

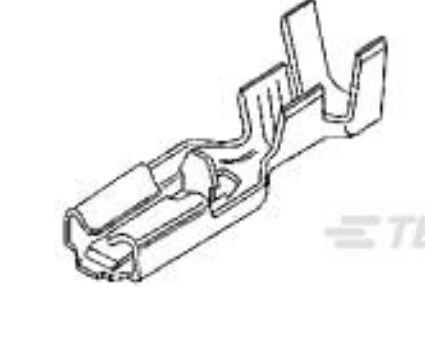
## Customers Also Bought



TE Part #180352-2  
FF 250 TAB 4-6MM2 PTBR



TE Part #104479-8  
SHORT POINT CONT PLTD SN



TE Part #173690-1  
PL 187 TERMINAL 24-20 AWG 0.3 X 14.0



TE Part #1-963736-1  
TIMER, RECEPTACLE AND TAB



## Documents

### CAD Files

[3D PDF](#)

3D

Customer View Model

[ENG\\_CVM\\_CVM\\_1318306-1\\_E.2d\\_dxf.zip](#)

English

Customer View Model

[ENG\\_CVM\\_CVM\\_1318306-1\\_E.3d\\_igs.zip](#)

English

Customer View Model

[ENG\\_CVM\\_CVM\\_1318306-1\\_E.3d\\_stp.zip](#)

English

By downloading the CAD file I accept and agree to the [Terms and Conditions](#) of use.

### Product Specifications

[Application Specification](#)

English

## X-ON Electronics

Largest Supplier of Electrical and Electronic Components

*Click to view similar products for [Headers & Wire Housings](#) category:*

*Click to view products by [TE Connectivity](#) manufacturer:*

Other Similar products are found below :

[892-18-020-10-001101](#) [58102-G61-06LF](#) [582553-1](#) [0009485154](#) [009176003701906](#) [0050291907](#) [LY20-4P-DT1-P1E-BR](#) [02.125.8002.8](#)  
[609-3404](#) [61062-3](#) [61082-181009](#) [622-3653LF](#) [63453-116](#) [636-1030](#) [636-1427](#) [636-3427](#) [636-4007](#) [641938-9](#) [641991-4](#) [644827-2](#) [65817-](#)  
[010LF](#) [65817-015LF](#) [65863-015LF](#) [66207-023LF](#) [67095-007LF](#) [67601157](#) [68645-018](#) [68648-049](#) [70.362.1628.0](#) [70-4210](#) [70-4226B](#) [70-](#)  
[4853B](#) [707-5020](#) [707-5028](#) [71.350.2428.0](#) [71918-208LF](#) [71961-016LF](#) [733-134](#) [733-162](#) [754199-000](#) [760-3052](#) [787-8014-00](#) [79531-3000](#)  
[FCN-360C032-B](#) [FCN-367T-T012/H](#) [FCN-723D010/2](#) [80.063.4001.1](#) [800-90-001-10-001000](#) [800-90-010-10-002000](#) [801-43-002-10-013000](#)