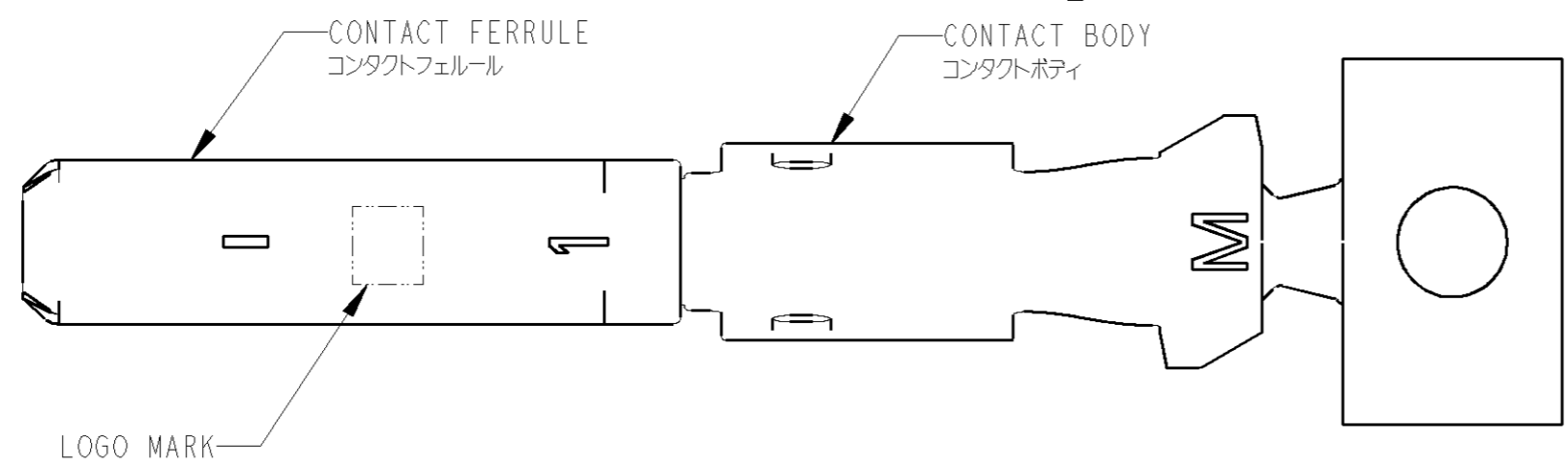
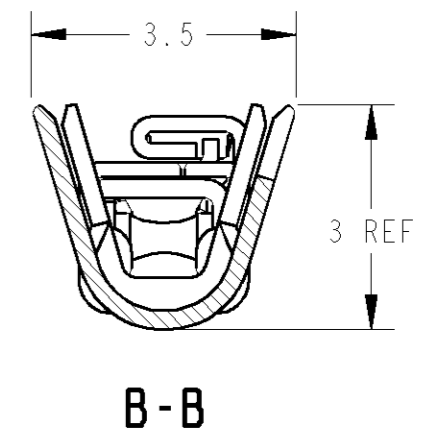
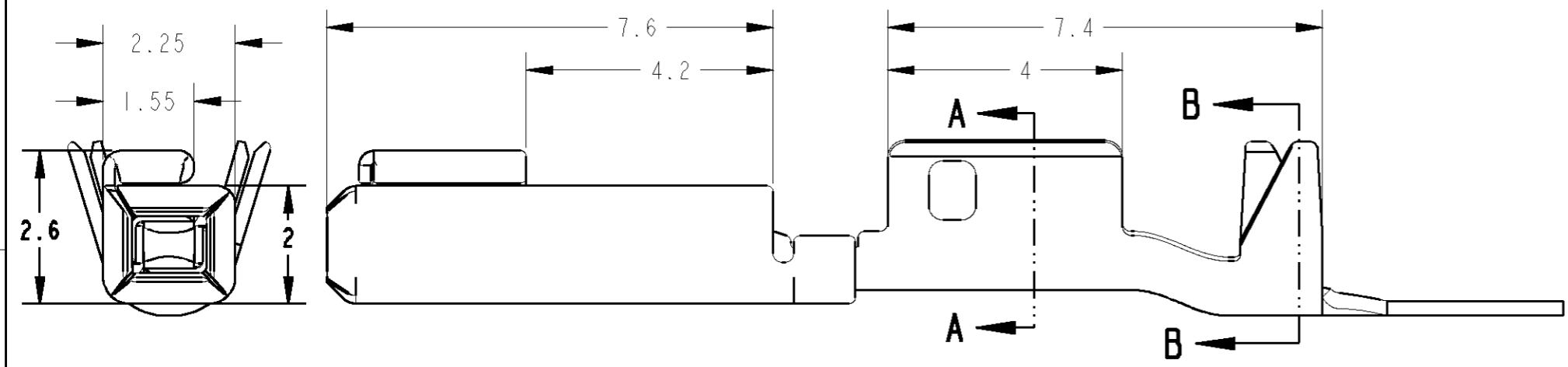
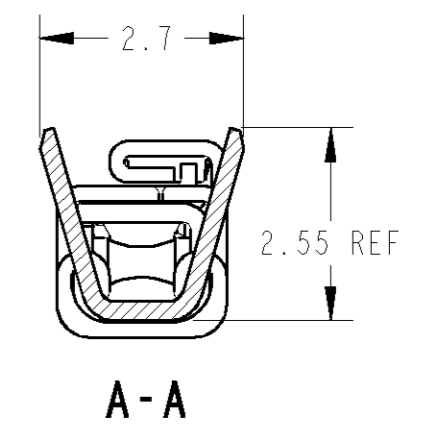
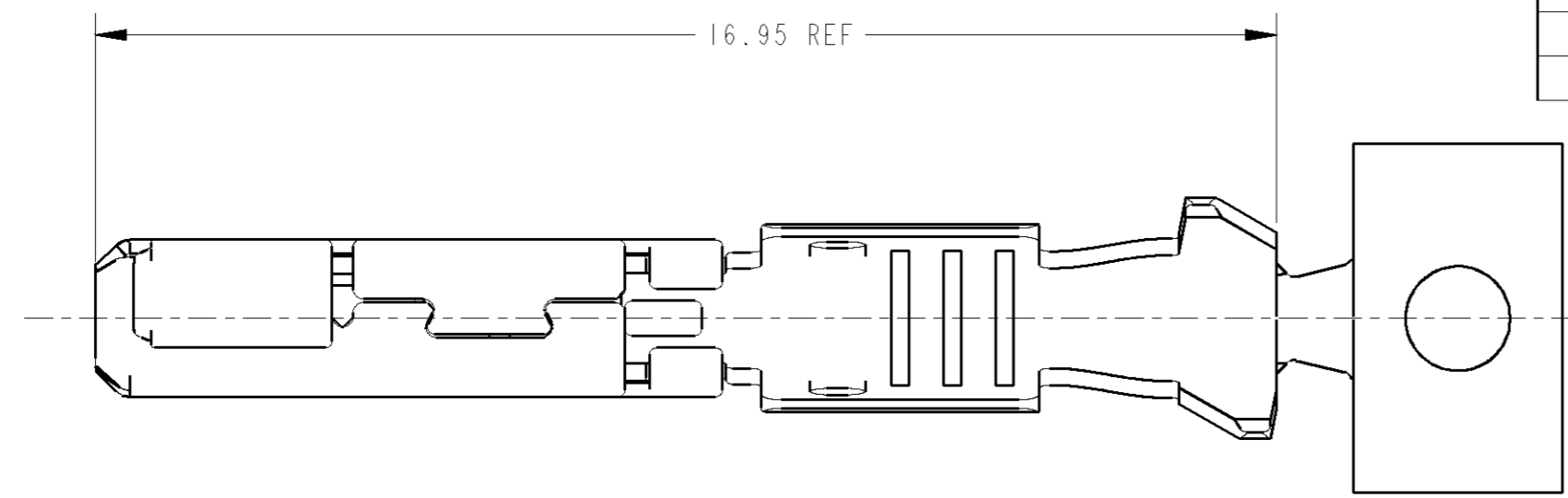


THIS DRAWING IS UNPUBLISHED. RELEASED FOR PUBLICATION
 © COPYRIGHT 20 BY TYCO ELECTRONICS CORPORATION. ALL RIGHTS RESERVED.

LOC	DIST	REVISIONS						
J	-	P	LTR	DESCRIPTION	ECN	DATE	DWN	APVD
			A	REVISED	FJA0-0060-04	26-Jan-04	Y.N	Y.F
			B	REVISED	ECR-10-005857	13MAY10	SF	KB



I. APPLICATOR FEED: 9mm
 I. アプリケータ送りピッチ: 9mm

BRASS PRE-TIN	COPPER ALLOY PRE-TIN	1318332-1
CONTACT FERRULE コンタクトフェルル	CONTACT BODY コンタクトボディ	AMP PART NUMBER
MATERIAL / FINISH 材料 / 仕上		

WIRE RANGE 包合電線断面積	0.75~1.25mm ²	INSULATION DIA 被覆外径	φ1.6~2.2
DWN Y.FUJIWALA 180CT99		Tyco Electronics Tyco Electronics JAPAN G.K. Kawasaki, Japan	
CHK K.ODA 190CT99		NAME 名称	
APVD K.ODA 190CT99		REC CONTACT ASSY M RANGE CLEAN BODY 040 CONNECTOR	
PRODUCT SPEC 製品規格	APPLICATION SPEC 取付適用規格	SIZE	RESTRICTED TO
114-5278	0.31g	A3	-
WEIGHT	SCALE 尺度	CAGE CODE	REV
CUSTOMER DRAWING	10:1	00779	B
		DRAWING NO 番号	
		1318332	
		SHEET	OF
		1	1

THIS DRAWING IS A CONTROLLED DOCUMENT FOR TYCO ELECTRONICS CORPORATION IT IS SUBJECT TO CHANGE AND THE CONTROLLING ENGINEERING ORGANIZATION SHOULD BE CONTACTED FOR THE LATEST REVISION.	
DIMENSIONS: 単位: 概 mm	TOLERANCES UNLESS OTHERWISE SPECIFIED: 一般公差 = ± 0.2
	0-PLC ± 1-PLC ±0.1 2-PLC ±0.05 3-PLC ±0.025 4-PLC ±0.001 ANGLES ±3deg
MATERIAL 材料	FINISH 仕上
COPPER ALLOY	SEE TABLE

X-ON Electronics

Largest Supplier of Electrical and Electronic Components

Click to view similar products for [Automotive Connectors](#) category:

Click to view products by [TE Connectivity](#) manufacturer:

Other Similar products are found below :

[003-018-000](#) [60403001](#) [60993906-B](#) [M902-2131](#) [M902-2161](#) [72.330.1035.1](#) [73.353.4028.0](#) [F119300-B](#) [F166900](#) [F258300-B](#) [F358300-B](#)
[F407400](#) [F444110](#) [F487000](#) [F509500B-B](#) [827153-1](#) [8N1515-32-24P](#) [9-1326729-8](#) [925474-1](#) [928905-1](#) [964562-4](#) [968782-1](#) [GT17SA-8DS-](#)
[HU](#) [98891-1012](#) [98947-1016](#) [12004147](#) [12004475-L](#) [12010290](#) [12010309-B](#) [12015454](#) [12020219-B](#) [12020308](#) [12041318-B](#) [12052225-L](#)
[12052466](#) [12059125](#) [12064869](#) [12004327-B](#) [12010503-B](#) [12015308](#) [12015384](#) [12015909](#) [1-21030-1](#) [12041254](#) [12041318](#) [12047946-B](#)
[12047957](#) [12047957-L](#) [12059473](#) [12066261](#)