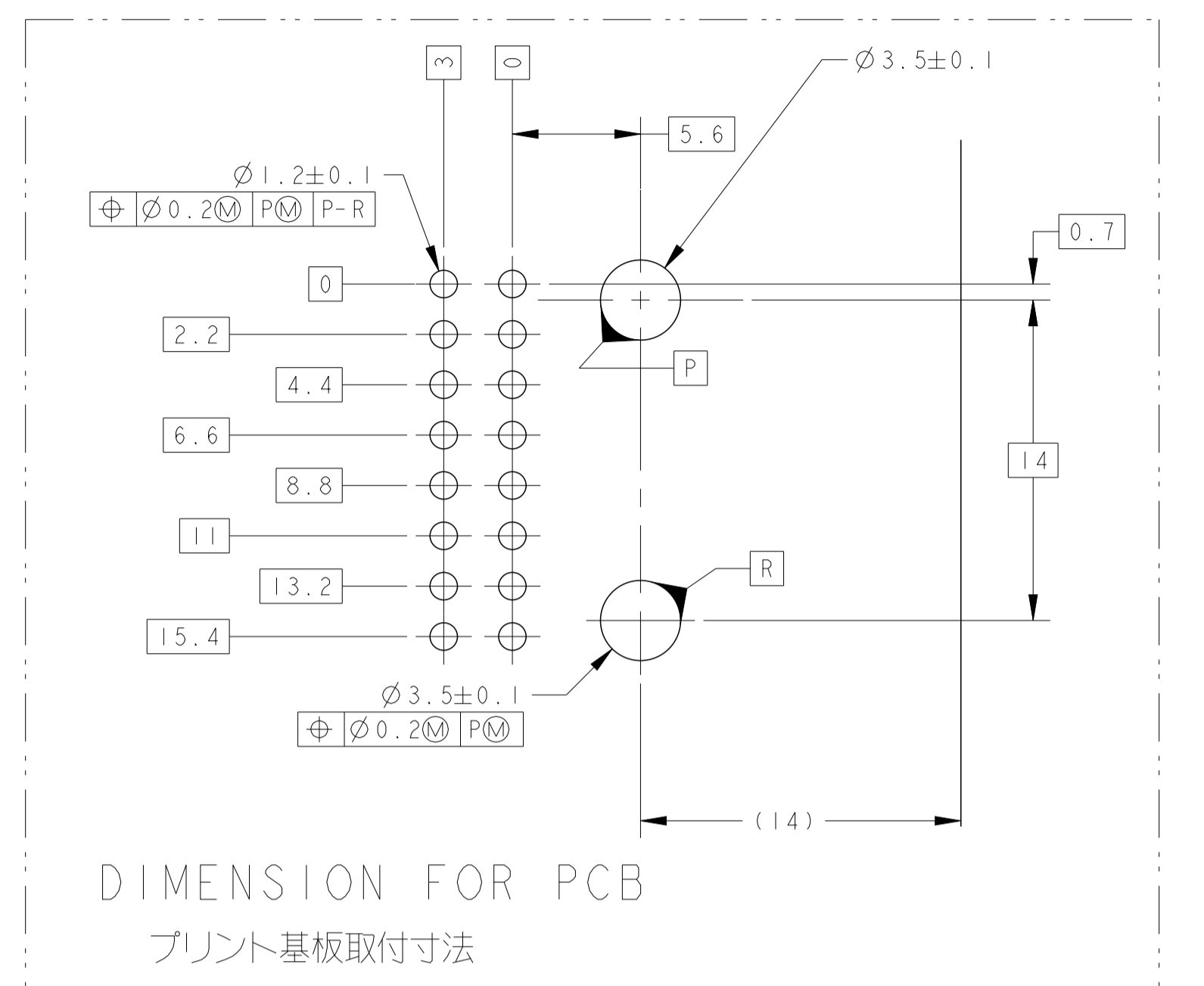
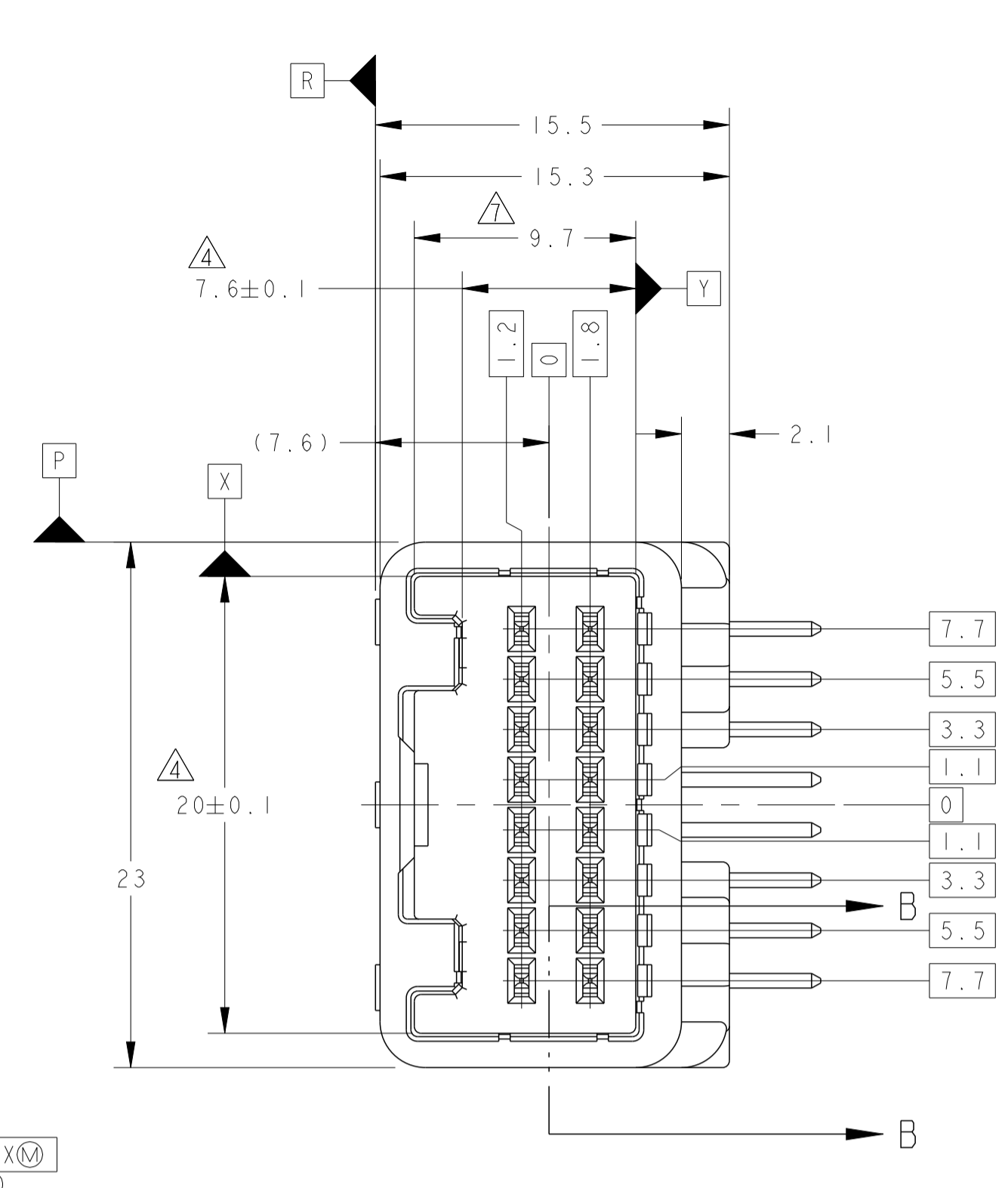
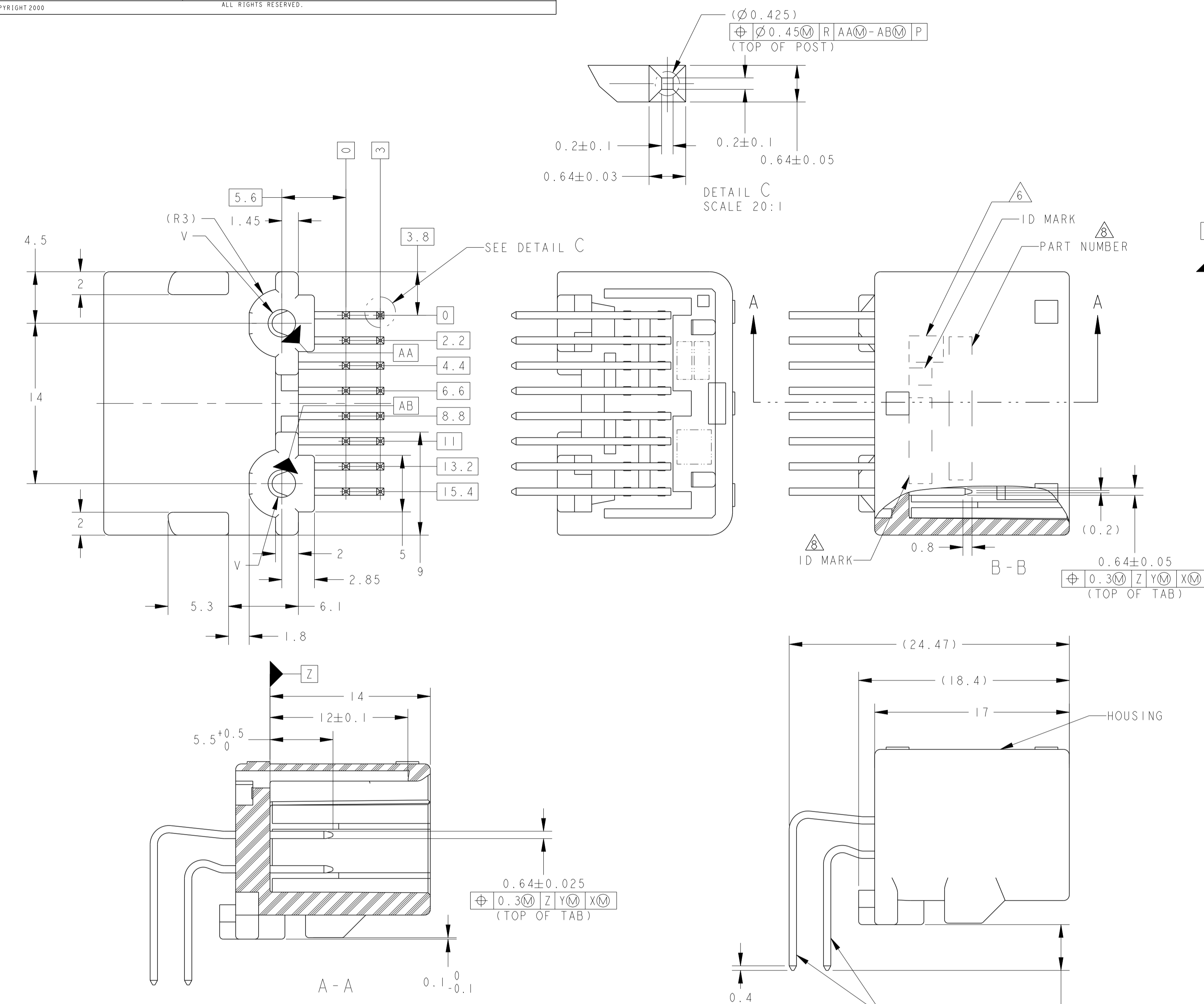


REVISONS		DATE	OWN	APVD
C2	ADDED 1--9	ECR-12-012341	10-Apr-13	K, S, Y, F
C3	REVISED	ECR-13-006139	11APR2013	TS, HY
C4	REVISED	ECR-16-003439	16MAR2017	KF, TK



1. 嵌合相手ハウジング型番: TABLE-1 参照  
プラグハウジングアセンブリと  
支障なく嵌合すること
  2. 推奨取付ねじ: JIS B1115, B1122タッピングねじ,  
ねじ2種, ねじ径3, 長さ: TABLE-4参照  
ねじ締めトルク(参考値): 0.392N・m REF
  3. ねじ締めトルク(参考値): 0.392N・m REF
  4. Zより6mmの位置で測定。
  5. 本図の取扱いについては, 取扱説明書 No.: 411-5928に従うこと
- △.コンタクトは上錫処理; 表参照
- △.Zより2mmの位置で測定。
- △.ID MARK, PART NUMBER を表示
- △.回路番号はFIG.1 参照。
- △.金のめっき位置: TABLE-2 参照。
- △.ピン抜きアイテム, 回路番号はFIG.1及びTABLE-3参照。
1. PLUG HOUSING TO BE MATED; SEE TABLE-1.  
TO BE MATED SMOOTHLY WITH THE PLUG HOUSING ASSEMBLY
  2. RECOMMENDED SCREW: PAN-HEADED,  
TYPE 2 TAPPING SCREW, NOMINAL DIAMETER 3mm  
LENGTH; SEE TABLE-4 (JIS B1115, B1122).
  3. FASTENING TORQUE FOR SCREW (REF): 0.392N・m REF.
  4. MEASURED AT 6mm FROM Z
  5. AS FOR THE HANDLING OF THIS PROJECT,  
FOLLOW THE INSTRUCTION SHEET No.: 411-5928
- △. IDENTIFICATION MARK FOR THE CONTACT FINISH;  
SEE TABLE
- △. MEASURED AT 2mm FROM Z
- △. ID MARK, PART NUMBER INDICATED
- △. CIRCUIT NUMBER: SEE FIG.1
- △. GOLD PLATING POSITION: SEE TABLE-2.
- △. SEE FIG.1 AND TABLE-3 FOR AVAILABLE CIRCUIT.

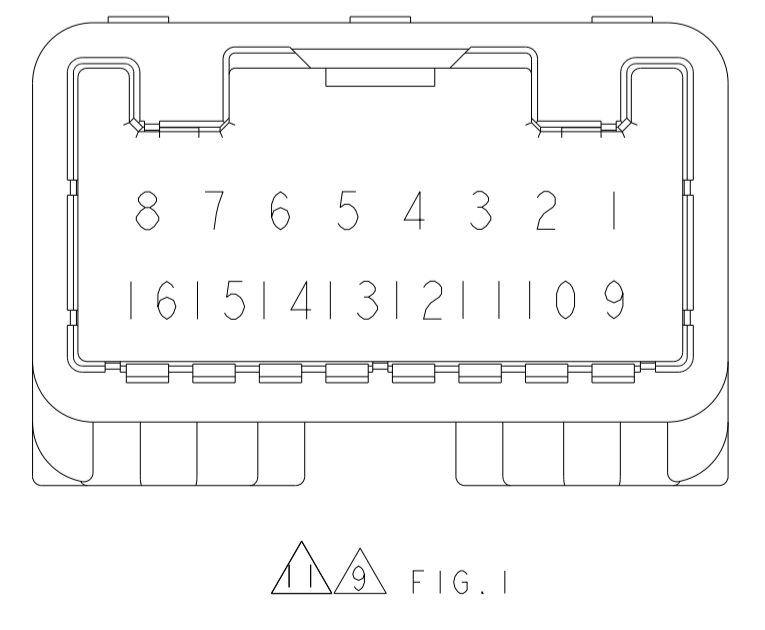
プリント基板板厚(mm) THICKNESS OF PCB(mm)	1.2	1.6
固定用ねじ着下長さ(mm) NOMINAL LENGTH OF SCREW(mm)	5	6

CIRCUIT NUMBER	PART NUMBER
1, 8, 9, 12	I-1318382-7
1, 8, 9, 12	I-1318382-5

GOLD PLATING POSITION	PART NUMBER
6, 8, 12	I-1318382-9
7, 8, 15, 16	I-1318382-8
1~16	6318382-6
1~16	6318382-5
1~16	6318382-3
1, 8, 9, 12	I-1318382-7
1~16	I-1318382-6
6, 8, 12	I-1318382-4
1~16	I-1318382-1
1~16	1318382-3



POS. 極数	TYPE	FEMALE HSG メスハウジング TE P/N
16	CRIMP	I318386 I717109
16	IDC	I318690 I318694

MARKING マーキング	WEIGHT (g) 質量	V	PACKING STYLE 梱包形態	SOLDERING SIDE 半田付側	CONTACT FINISH コンタクト仕上	MATERIAL 材料	COLOR 色	PART NUMBER 製品型番	SELECTIVE-TIN (BRIGHT) × 12		PBT GF15	NATURAL	I-1318382-8
									SELECTIVE-TIN (MATTE)	SELECTIVE GOLD × 4			
△11	4.7	∅2.4	PAPER BOX ダンボール箱	PLASTIC TUBE プラスチックチューブ	SELECTIVE-TIN (MATTE)	SELECTIVE-TIN (BRIGHT) × 12			SELECTIVE-TIN (MATTE)	SELECTIVE GOLD × 4	PBT GF15	NATURAL	I-1318382-8
△62	4.7	∅2.4	PAPER BOX ダンボール箱	PLASTIC TUBE プラスチックチューブ	SELECTIVE-TIN (MATTE)	SELECTIVE-TIN (BRIGHT) × 16			SELECTIVE-TIN (MATTE)	SELECTIVE GOLD × 16	PBT GF15	NATURAL	6318382-6
△62	4.7	∅2.4	PAPER BOX ダンボール箱	PLASTIC TUBE プラスチックチューブ	SELECTIVE-TIN (MATTE)	SELECTIVE-TIN (BRIGHT) × 16			SELECTIVE-TIN (MATTE)	SELECTIVE GOLD × 16	PBT GF15	BLACK	6318382-5
△62	4.7	∅2.4	PLASTIC BOX 差し箱	PLASTIC TUBE プラスチックチューブ	SELECTIVE-TIN (MATTE)	SELECTIVE-TIN (BRIGHT) × 16			SELECTIVE-TIN (MATTE)	SELECTIVE GOLD × 16	PBT GF15	NATURAL	6318382-3
△10	3.0	∅2.63	PLASTIC BOX 差し箱	PLASTIC TUBE プラスチックチューブ	SELECTIVE-TIN (MATTE)	SELECTIVE-TIN (BRIGHT) × 4			SELECTIVE-TIN (MATTE)	SELECTIVE GOLD × 4	SPS GF17	NATURAL	I-1318382-7
△7	4.1	∅2.63	PAPER BOX ダンボール箱	PLASTIC TUBE プラスチックチューブ	SELECTIVE-TIN (MATTE)	SELECTIVE-TIN (BRIGHT) × 16			SELECTIVE-TIN (MATTE)	SELECTIVE GOLD × 16	SPS GF17	NATURAL	I-1318382-6
△9	3.0	∅2.63	PLASTIC BOX 差し箱	PLASTIC TUBE プラスチックチューブ	SELECTIVE-TIN (MATTE)	SELECTIVE-TIN (BRIGHT) × 4			SELECTIVE-TIN (MATTE)	SELECTIVE TIN (BRIGHT) × 4	SPS GF17	NATURAL	I-1318382-5
△8	4.1	∅2.63	PAPER BOX ダンボール箱	PLASTIC TUBE プラスチックチューブ	SELECTIVE-TIN (MATTE)	SELECTIVE-TIN (BRIGHT) × 13			SELECTIVE-TIN (MATTE)	SELECTIVE GOLD × 3	SPS GF17	NATURAL	I-1318382-9
△8	4.1	∅2.63	PLASTIC BOX 差し箱	PLASTIC TUBE プラスチックチューブ	SELECTIVE-TIN (MATTE)	SELECTIVE-TIN (BRIGHT) × 13			SELECTIVE-TIN (MATTE)	SELECTIVE GOLD × 3	SPS GF17	NATURAL	I-1318382-4
△5	4.7	∅2.4	PAPER BOX ダンボール箱	PLASTIC TUBE プラスチックチューブ	SELECTIVE-TIN (MATTE)	SELECTIVE-TIN (BRIGHT) × 16			SELECTIVE-TIN (MATTE)	SELECTIVE TIN (BRIGHT) × 16	PBT GF15	BLACK	I-1318382-3
△5	4.1	∅2.63	PLASTIC BOX 差し箱	PLASTIC TUBE プラスチックチューブ	SELECTIVE-TIN (MATTE)	SELECTIVE-TIN (BRIGHT) × 16			SELECTIVE-TIN (MATTE)	SELECTIVE-TIN (BRIGHT) × 16	SPS GF17	NATURAL	I-1318382-2
△7	4.1	∅2.63	PLASTIC BOX 差し箱	PLASTIC TUBE プラスチックチューブ	SELECTIVE-TIN (MATTE)	SELECTIVE-TIN (BRIGHT) × 16			SELECTIVE-TIN (MATTE)	SELECTIVE GOLD × 16	SPS GF17	NATURAL	I-1318382-1
6	4.7	∅2.4	PAPER BOX ダンボール箱	PLASTIC TUBE プラスチックチューブ		PRE-TIN × 16				PRE-TIN × 16	PBT GF15	BLACK	I-1318382-0
6	4.7	∅2.4	PLASTIC BOX 差し箱	PLASTIC TUBE プラスチックチューブ		PRE-TIN × 16				PRE-TIN × 16	PBT GF15	BLACK	1318382-9
△5	4.1	∅2.63	PAPER BOX ダンボール箱	PLASTIC TUBE プラスチックチューブ	SELECTIVE-TIN (MATTE)	SELECTIVE-TIN (BRIGHT) × 16			SELECTIVE-TIN (MATTE)	SELECTIVE-TIN (BRIGHT) × 16	SPS GF17	NATURAL	1318382-8
3	4.7	∅2.4	PAPER BOX ダンボール箱	PLASTIC TUBE プラスチックチューブ		POST-TIN × 16				POST-TIN × 16	PBT GF15	NATURAL	1318382-4
2	4.7	∅2.4	PLASTIC BOX 差し箱	PLASTIC TUBE プラスチックチューブ	TIN-LEAD	SELECTIVE GOLD × 16				SELECTIVE GOLD × 16	PBT GF15	NATURAL	1318382-3
1	4.7	∅2.4	PAPER BOX ダンボール箱	PLASTIC TUBE プラスチックチューブ		PRE-TIN × 16				PRE-TIN × 16	PBT GF15	NATURAL	1318382-2
1	4.7	∅2.4	PLASTIC BOX 差し箱	PLASTIC TUBE プラスチックチューブ		PRE-TIN × 16				PRE-TIN × 16	PBT GF15	NATURAL	1318382-1
△6 MARKING			OUTER 外装	INNER 内装	SOLDERING SIDE 半田付側	CONTACT SIDE 接点側	MATERIAL 材料	COLOR 色	PART NUMBER 製品型番				

THIS DRAWING IS A CONTROLLED DOCUMENT.

DIMENSIONS: mm

TOLERANCES UNLESS OTHERWISE SPECIFIED:  
一般公差 ±0.3

MATERIAL: CONTACT: BRASS HOUSING: SEE TABLE

FINISH: SEE TABLE

APPROVED: N. YASUDA 24JUL01

NAME: 025 SERIES 16 POSITION (PCB H-TYPE) CAP HOUSING ASSEMBLY

SIZE: A1 CAGE CODE: 00779 DRAWING NO: 114-5250

WEIGHT: SEE TABLE

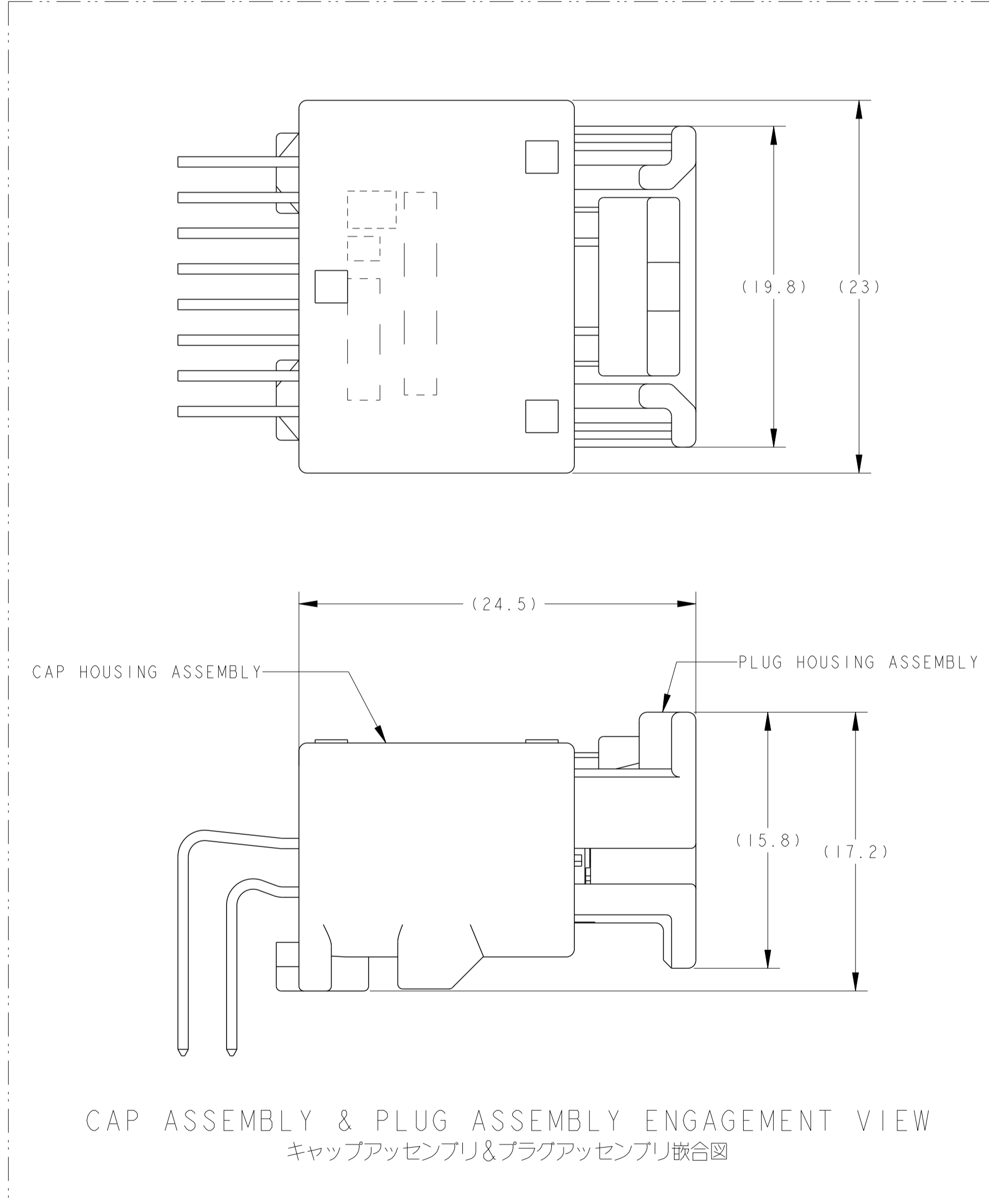
CUSTOMER DRAWING

SCALE: 4:1 SHEET: 1 OF 2 REV: C4

STE TE Connectivity

THIS DRAWING IS UNPUBLISHED. RELEASED FOR PUBLICATION 2017  
 © COPYRIGHT 2017 ALL RIGHTS RESERVED.

LOC	DEST	REVISIONS					
		P	LYR	DESCRIPTION	DATE	DWN	APVD
J	-	-	-	SEE SHEET 1 OF 2	-	-	-



THIS DRAWING IS A CONTROLLED DOCUMENT.		DWN Y. NOGUCHI 24JUL01	TE Connectivity	
DIMENSIONS: 単位: ㎜		CHK N. YASUDA 24JUL01	NAME N. SAI	025 SERIES 16 POSITION (PCB H-TYPE) CAP HOUSING ASSEMBLY
TOLERANCES UNLESS OTHERWISE SPECIFIED:		APVD N. SAI 24JUL01	PRODUCT SPEC	SIZE CAGE CODE DRAWING NO
0 PLC ±0.05		APPLICATION SPEC	00779	1318382
1 PLC ±0.1		WEIGHT	RESTRICTED TO	
2 PLC ±0.01		CUSTOMER DRAWING	-	
3 PLC ±0.001		SCALE 4:1	SHEET 2 OF 2	
4 PLC ±0.0001		REV C4		
ANGLES ±0.0001				
FINISH				
MATERIAL				

## X-ON Electronics

Largest Supplier of Electrical and Electronic Components

*Click to view similar products for [Automotive Connectors](#) category:*

*Click to view products by [TE Connectivity](#) manufacturer:*

Other Similar products are found below :

[003-018-000](#) [60403001](#) [60993906-B](#) [M902-2131](#) [M902-2161](#) [72.330.1035.1](#) [73.353.4028.0](#) [F119300-B](#) [F166900](#) [F258300-B](#) [F358300-B](#)  
[F407400](#) [F444110](#) [F487000](#) [F509500B-B](#) [827153-1](#) [8N1515-32-24P](#) [9-1326729-8](#) [925474-1](#) [928905-1](#) [964562-4](#) [968782-1](#) [GT17SA-8DS-](#)  
[HU](#) [98891-1012](#) [98947-1016](#) [12004147](#) [12004475-L](#) [12010290](#) [12010309-B](#) [12015454](#) [12020219-B](#) [12020308](#) [12041318-B](#) [12052225-L](#)  
[12052466](#) [12059125](#) [12064869](#) [12004327-B](#) [12010503-B](#) [12015308](#) [12015384](#) [12015909](#) [1-21030-1](#) [12041254](#) [12041318](#) [12047946-B](#)  
[12047957](#) [12047957-L](#) [12059473](#) [12066261](#)