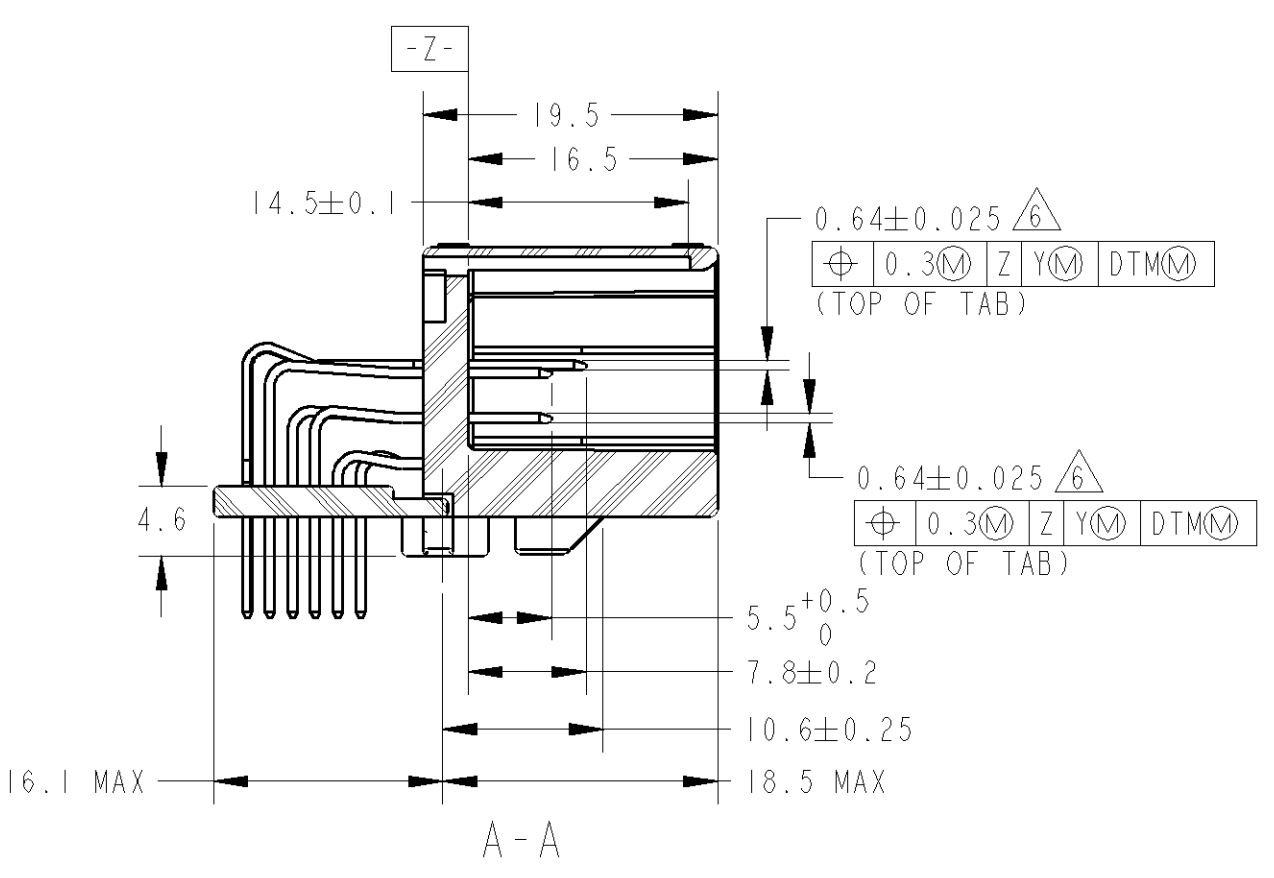
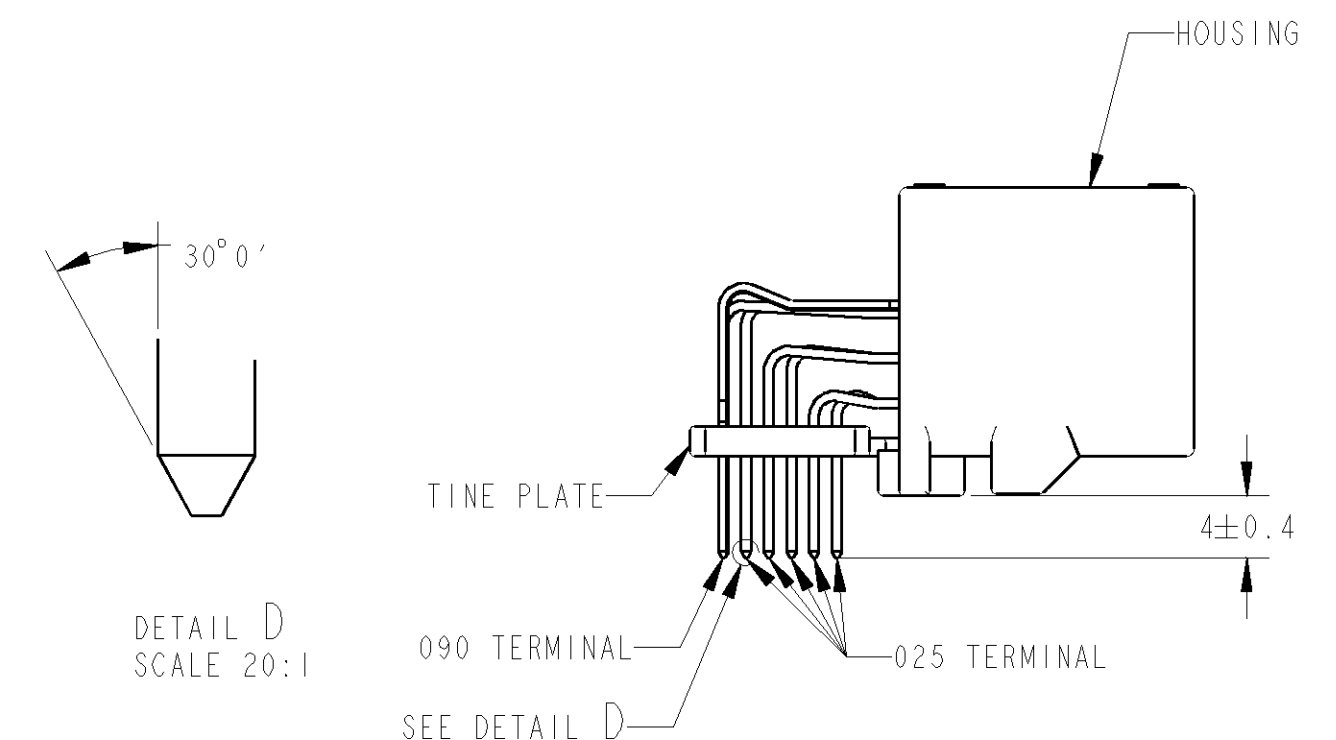
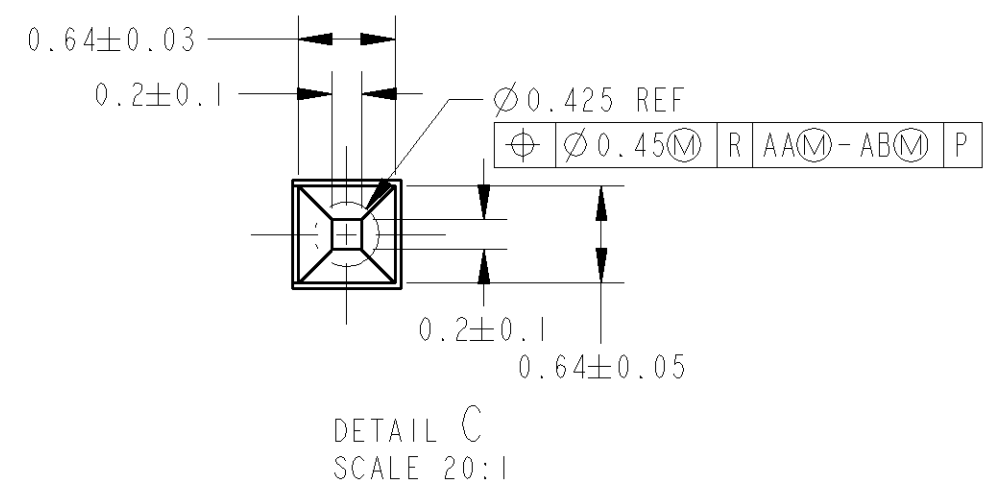
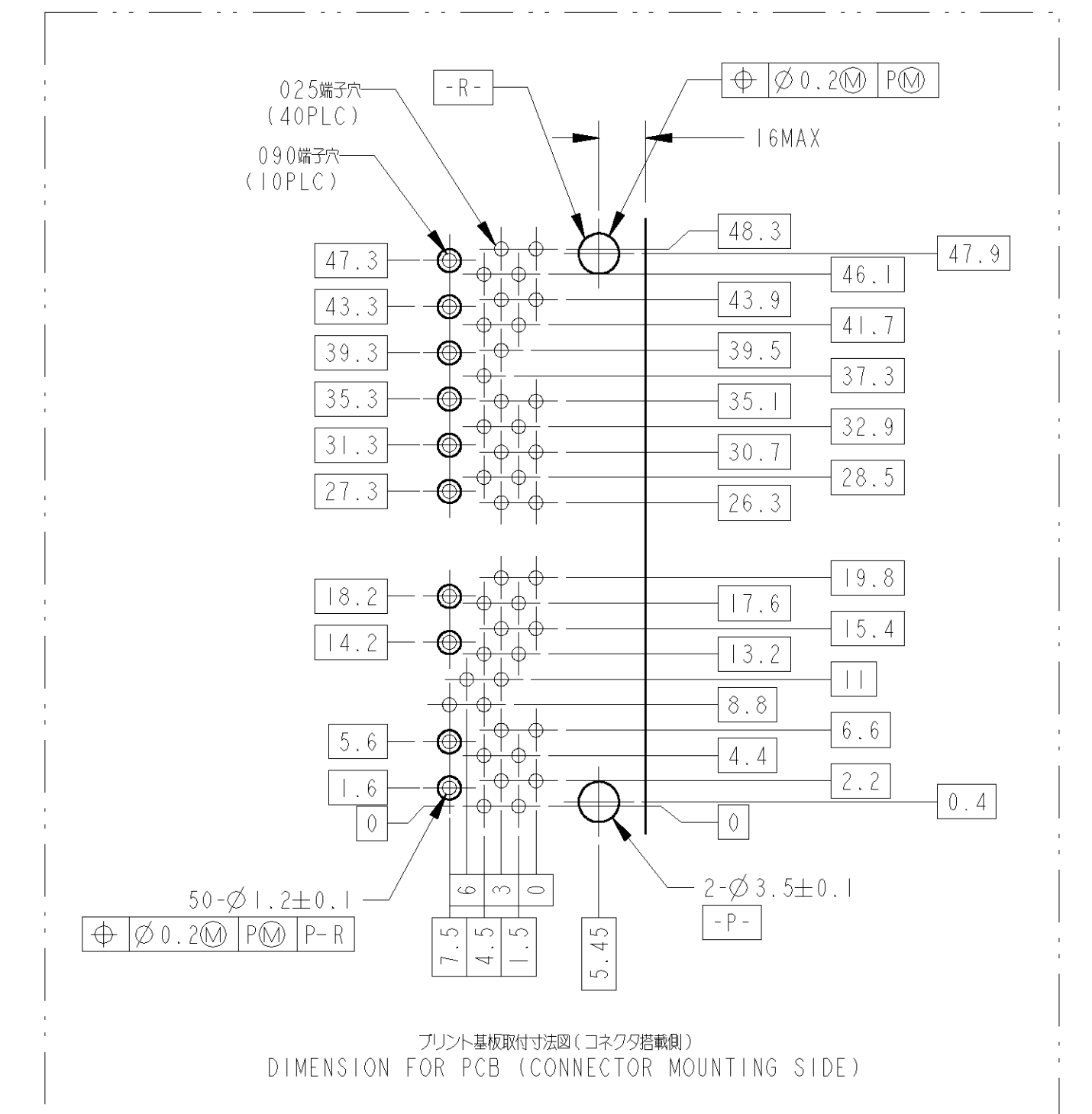
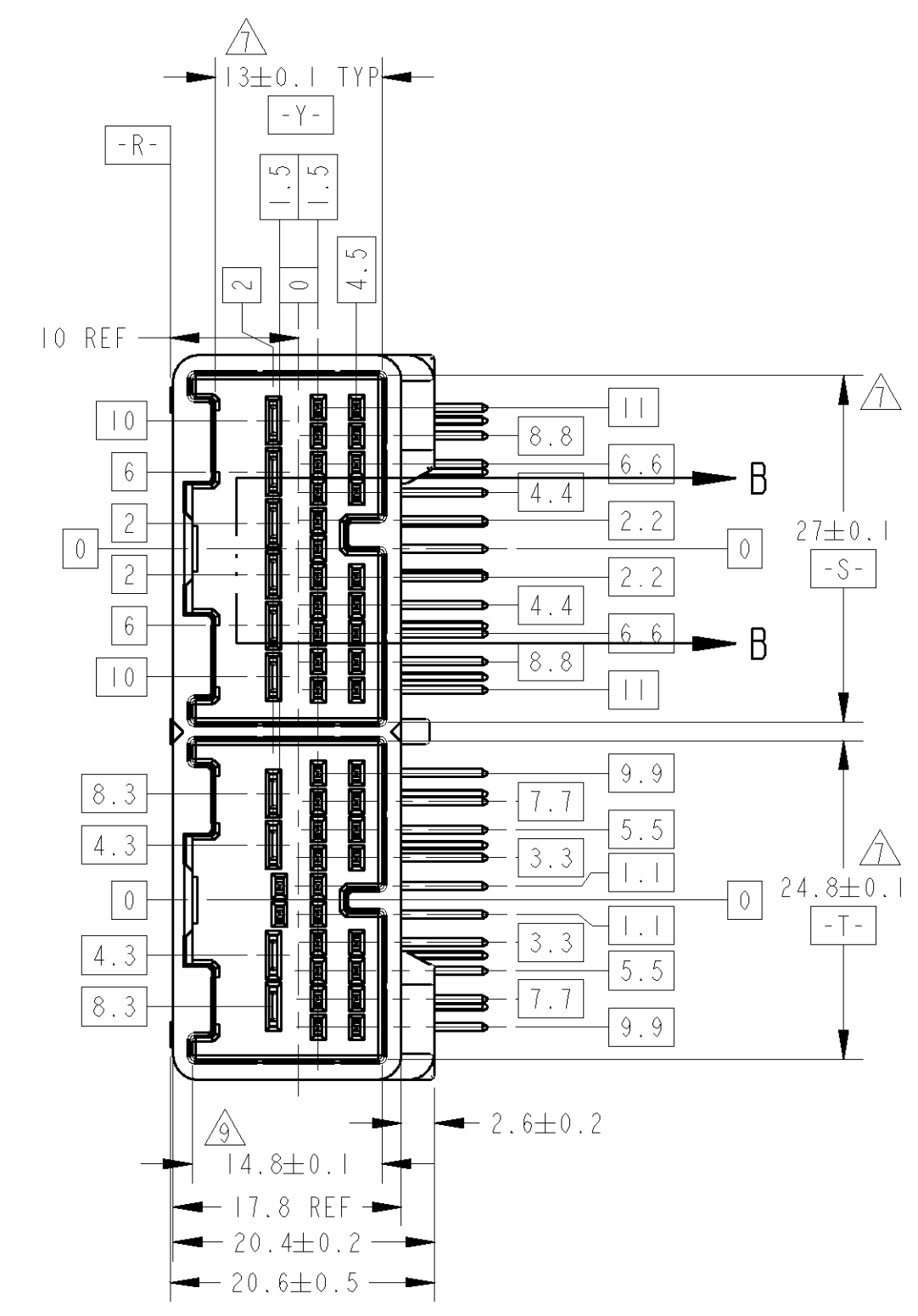
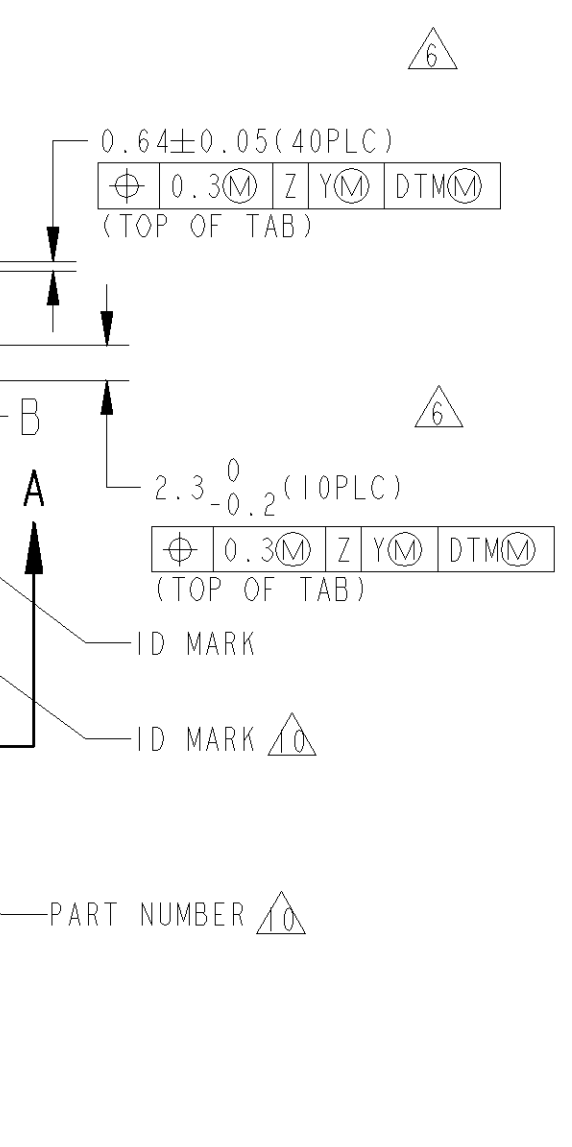
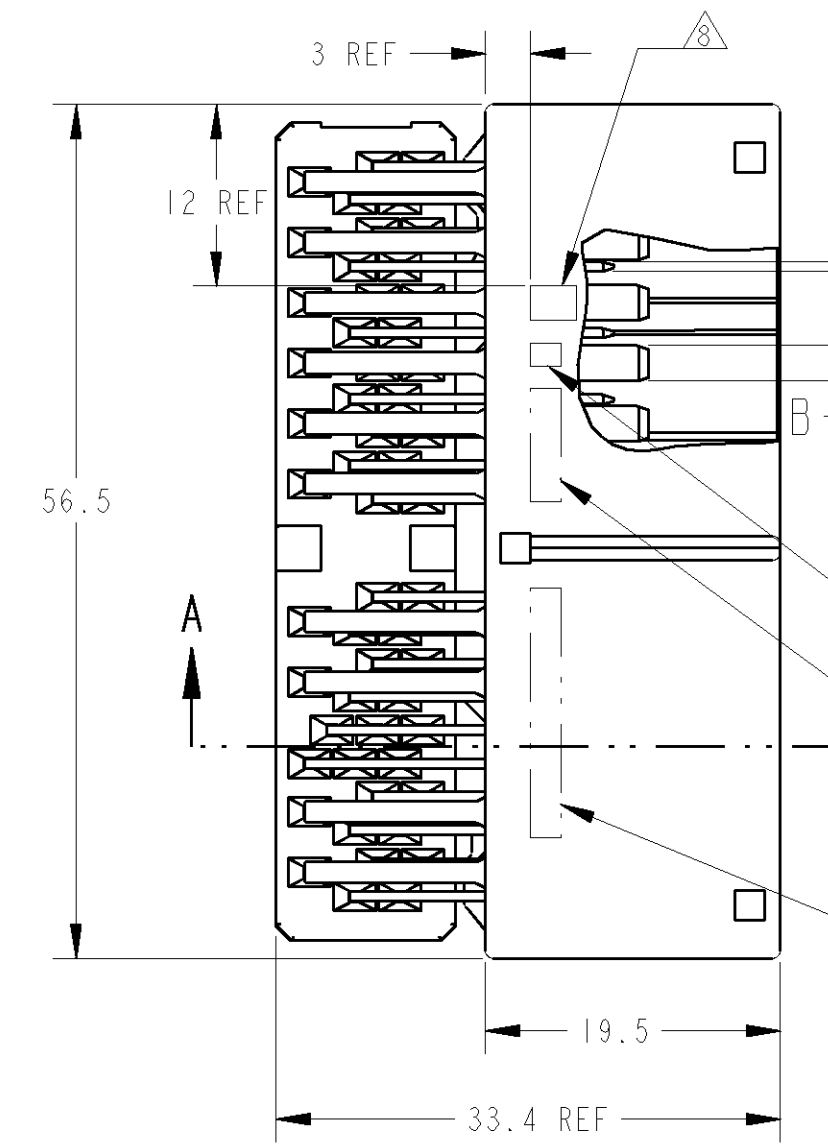
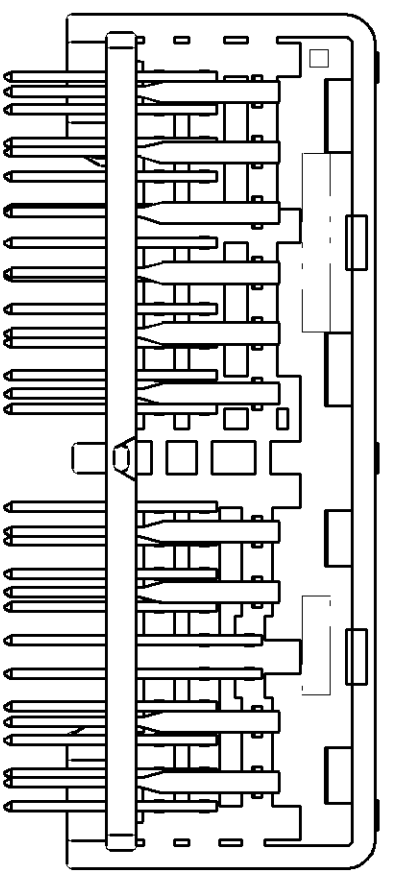
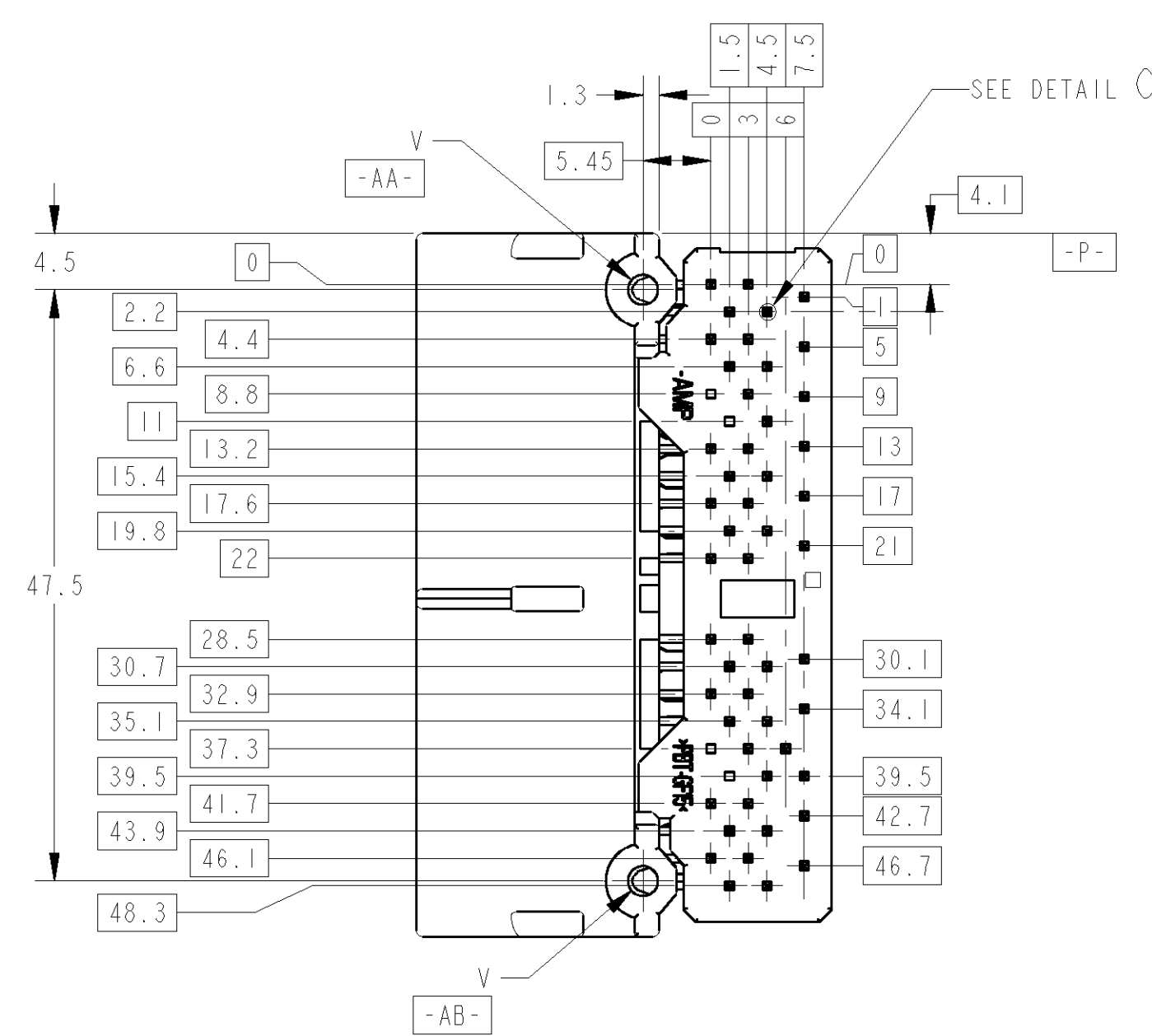
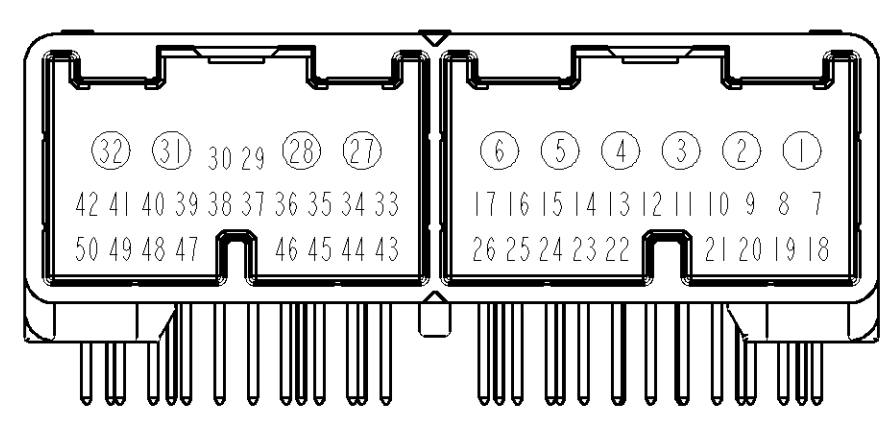


REV. NO.	DATE	BY	CHKD	APPVD
A1	21NOV07	AY	HY	HY
A2	20MAY2013	TS	HY	HY
A3	04JUN2013	TS	KB	KB



- 取組相手ハウジング番号  
24P: 1318756 26P: 1318757  
24P: 1746864 26P: 1746863
- 取組番号: FIG. 1参照
- 推奨取組トルク: JIS B1115, B1122タッピングねじに ねぐせ種 呼び径3. 長さ: TABLE-1参照
- ねじ締めトルク: 0.392N・m MAX (参考)
- 本製品の取扱は、取扱説明書 No. 411-5927に従うこと。
- 3次DTMについては、[-S-], [-T-]を各々のブロック毎に適用すること。
- [-Z-]より7.5mmの位置で測定。
- コンタクト上識別用マーク
- [-Z-]より2mmの位置で測定。
- ID MARK, PART NUMBERを表示

PLASTIC BOX	PLASTIC TUBE	数量	長さ (mm)	外径 (mm)	材質	鍍金	端子位置 (mm)	端子間隔 (mm)	端子径 (mm)	端子形状	端子色	ハウジング色	部品番号
PLASTIC BOX	PLASTIC TUBE	62	16.72	∅2.4	PBT	SELECTIVE-TIN (MATTE)	1-6, 27, 28, 31, 32	-	-	-	NATURAL (自然色)	NATURAL (自然色)	6318750-3
PLASTIC BOX	PLASTIC TUBE	9	15.68	∅2.63	SPS	SELECTIVE-TIN (MATTE)	1-6, 27, 28, 31, 32	-	-	-	BLACK (黒色)	BLACK (黒色)	1-1318750-8
CARTON BOX	PLASTIC TUBE	8	16.72	∅2.4	PBT	SELECTIVE-TIN (MATTE)	1-6, 27, 28, 31, 32	-	-	-	NATURAL (自然色)	NATURAL (自然色)	1-1318750-6
PLASTIC BOX	PLASTIC TUBE	8	16.72	∅2.4	PBT	SELECTIVE-TIN (MATTE)	1-6, 27, 28, 31, 32	-	-	-	NATURAL (自然色)	NATURAL (自然色)	1-1318750-5
PLASTIC BOX	PLASTIC TUBE	5	16.72	∅2.4	PBT	SELECTIVE-TIN (MATTE)	1-6, 27, 28, 31, 32	-	-	-	NATURAL (自然色)	NATURAL (自然色)	1-1318750-4
CARTON BOX	PLASTIC TUBE	5	16.72	∅2.4	PBT	SELECTIVE-TIN (MATTE)	1-6, 27, 28, 31, 32	-	-	-	NATURAL (自然色)	NATURAL (自然色)	1-1318750-3
CARTON BOX	PLASTIC TUBE	4	15.68	∅2.63	SPS	SELECTIVE-TIN (MATTE)	1-6, 27, 28, 31, 32	-	-	-	BLACK (黒色)	NATURAL (自然色)	1-1318750-2
PLASTIC BOX	PLASTIC TUBE	4	15.68	∅2.63	SPS	SELECTIVE-TIN (MATTE)	1-6, 27, 28, 31, 32	-	-	-	BLACK (黒色)	NATURAL (自然色)	1-1318750-1
CARTON BOX	PLASTIC TUBE	6	16.72	∅2.4	PBT	SELECTIVE-TIN (MATTE)	1-6, 27, 28, 31, 32	-	-	-	NATURAL (自然色)	NATURAL (自然色)	1-1318750-0
PLASTIC BOX	PLASTIC TUBE	7	16.72	∅2.4	PBT	SELECTIVE-TIN (MATTE)	1-6, 27, 28, 31, 32	-	-	-	NATURAL (自然色)	NATURAL (自然色)	1318750-9
OBSOLETE	PLASTIC BOX	PLASTIC TUBE	3	16.72	∅2.4	PBT	SELECTIVE-TIN	1-6, 27, 28, 31, 32	-	-	NATURAL (自然色)	NATURAL (自然色)	1318750-7
OBSOLETE	CARTON BOX	PLASTIC TUBE	3	16.72	∅2.4	PBT	SELECTIVE-TIN	1-6, 27, 28, 31, 32	-	-	NATURAL (自然色)	NATURAL (自然色)	1318750-6
PLASTIC BOX	PLASTIC TUBE	2	16.72	∅2.4	PBT	PRE-TIN TIN LEAD	1-6, 27, 28, 31, 32	-	-	-	NATURAL (自然色)	NATURAL (自然色)	1318750-3
CARTON BOX	PLASTIC TUBE	1	16.72	∅2.4	PBT	PRE-TIN	1-6, 27, 28, 31, 32	-	-	-	NATURAL (自然色)	NATURAL (自然色)	1318750-2
PLASTIC BOX	PLASTIC TUBE	1	16.72	∅2.4	PBT	PRE-TIN	1-6, 27, 28, 31, 32	-	-	-	NATURAL (自然色)	NATURAL (自然色)	1318750-1
OUTER	INNER	分装	内装										
PACKING STYLE	MARKING	WEIGHT	V	HOUSING MATERIAL	SOLDERING SIDE	CONTACT SIDE	CONTACT FINISH						



① ; パワー回路用 (FOR POWER CIRCUIT)  
 FIG. 1 CIRCUIT NUMBERS

TABLE-1	プリント基板板厚 (mm)	1.2	1.6
THICKNESS OF PCB (mm)			
固定用ねじ長さ (mm)	5	6	
NOMINAL LENGTH OF SCREW (mm)			

THIS DRAWING IS A CONTROLLED DOCUMENT. OWN: T. HAYASHI 27APR2000  
 CHK: N. SAI 27APR2000  
 APVD: M. SAI 27APR2000

DIMENSIONS: 単位: mm  
 TOLERANCES UNLESS OTHERWISE SPECIFIED:  
 0-PLC ±0.3  
 1-PLC ±0.1  
 2-PLC ±0.01  
 3-PLC ±0.01  
 4-PLC ±0.001

PRODUCT SPEC: 108-5667  
 APPLICATION SPEC: 114-5250

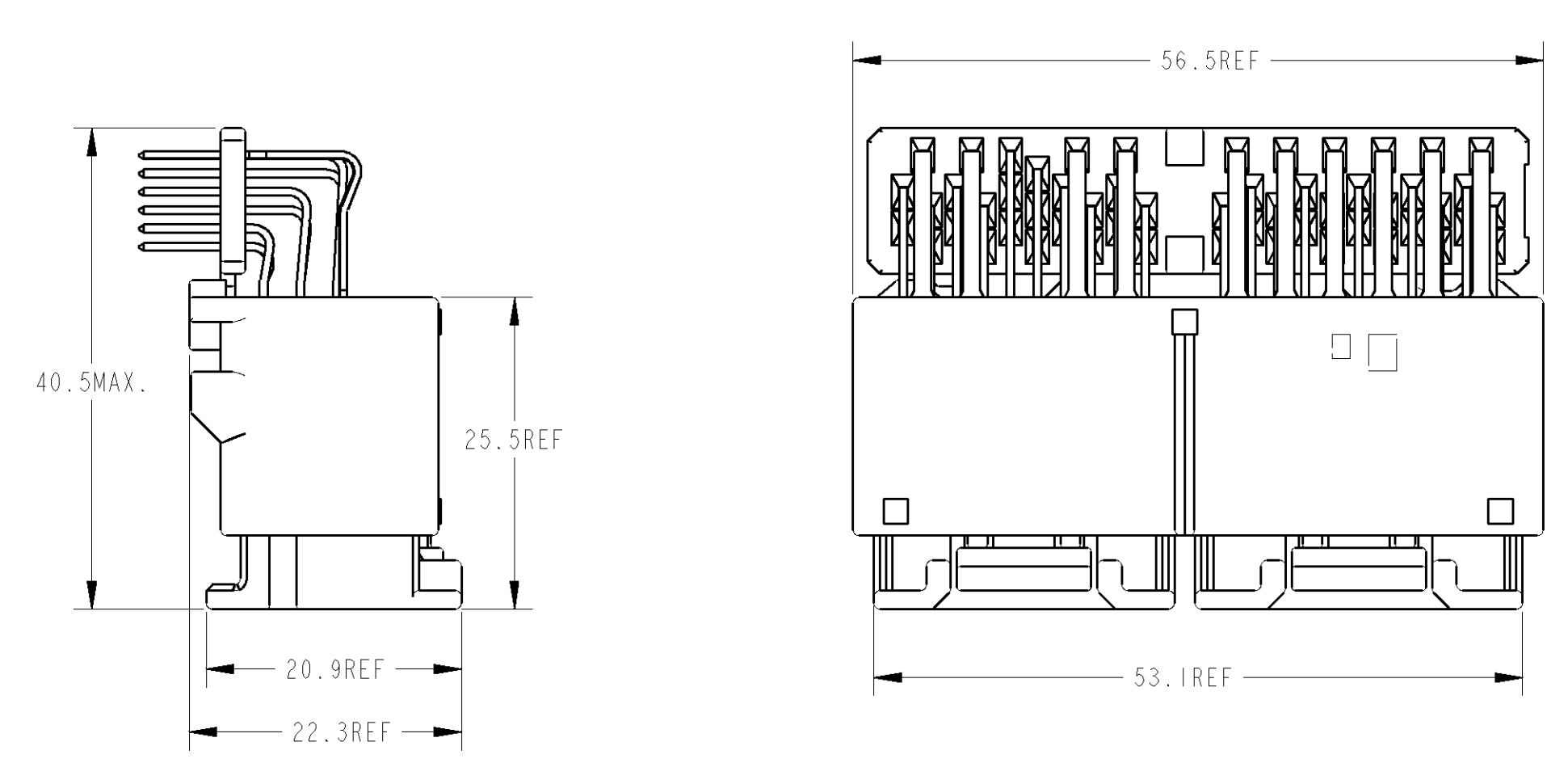
MATERIAL: CONTACT: BRASS, HOUSING: SEE TABLE, TINE PLATE: PBT  
 FINISH: SEE TABLE

WEIGHT: SEE TABLE  
 CUSTOMER DRAWING

SIZE: A1  
 CASE CODE: 00779  
 DRAWING NO: ①-1318750  
 SHEET: 1 OF 2  
 REV: A3

TE Connectivity  
 025/090 SERIES  
 50POSITION CAP ASSEMBLY

LOC	DIST	REV	DESCRIPTION	ECN	DATE	DWN	APVD
J	-		SEE 1 OF 2				



CAP ASSEMBLY AND PLUG ASSEMBLY ENGAGEMENT DRAWING  
 キャップアセンブリ & プラグアセンブリ 嵌合図

THIS DRAWING IS A CONTROLLED DOCUMENT.		OWN I. HAYASHI 27APR2000	TE Connectivity	
DIMENSIONS: mm		CHK M. SAI 27APR2000		
TOLERANCES UNLESS OTHERWISE SPECIFIED: mm		APVD M. SAI 27APR2000	PRODUCT SPEC SEE 1 OF 2	025/090 SERIES 50POSITION CAP ASSEMBLY
±0.3 ±0.1 ±0.01 ±0.001 ±0.001J 90° 00'		APPLICATION SPEC SEE 1 OF 2	WEIGHT SEE 1 OF 2	
MATERIAL SEE 1 OF 2	FINISH SEE 1 OF 2	CUSTOMER DRAWING	SIZE A3	CARE CODE 00779
			DRAWING NO. C-1318750	RESTRICTED TO --
			SCALE 2:1	SHEET 2 OF 2
			REV A3	

## X-ON Electronics

Largest Supplier of Electrical and Electronic Components

*Click to view similar products for [Automotive Connectors](#) category:*

*Click to view products by [TE Connectivity](#) manufacturer:*

Other Similar products are found below :

[003-018-000](#) [60403001](#) [60993906-B](#) [M902-2131](#) [M902-2161](#) [72.330.1035.1](#) [73.353.4028.0](#) [F119300-B](#) [F166900](#) [F258300-B](#) [F358300-B](#)  
[F407400](#) [F444110](#) [F487000](#) [F509500B-B](#) [827153-1](#) [8N1515-32-24P](#) [9-1326729-8](#) [925474-1](#) [928905-1](#) [964562-4](#) [968782-1](#) [GT17SA-8DS-](#)  
[HU](#) [98891-1012](#) [98947-1016](#) [12004147](#) [12004475-L](#) [12010290](#) [12010309-B](#) [12015454](#) [12020219-B](#) [12020308](#) [12041318-B](#) [12052225-L](#)  
[12052466](#) [12059125](#) [12064869](#) [12004327-B](#) [12010503-B](#) [12015308](#) [12015384](#) [12015909](#) [1-21030-1](#) [12041254](#) [12041318](#) [12047946-B](#)  
[12047957](#) [12047957-L](#) [12059473](#) [12066261](#)