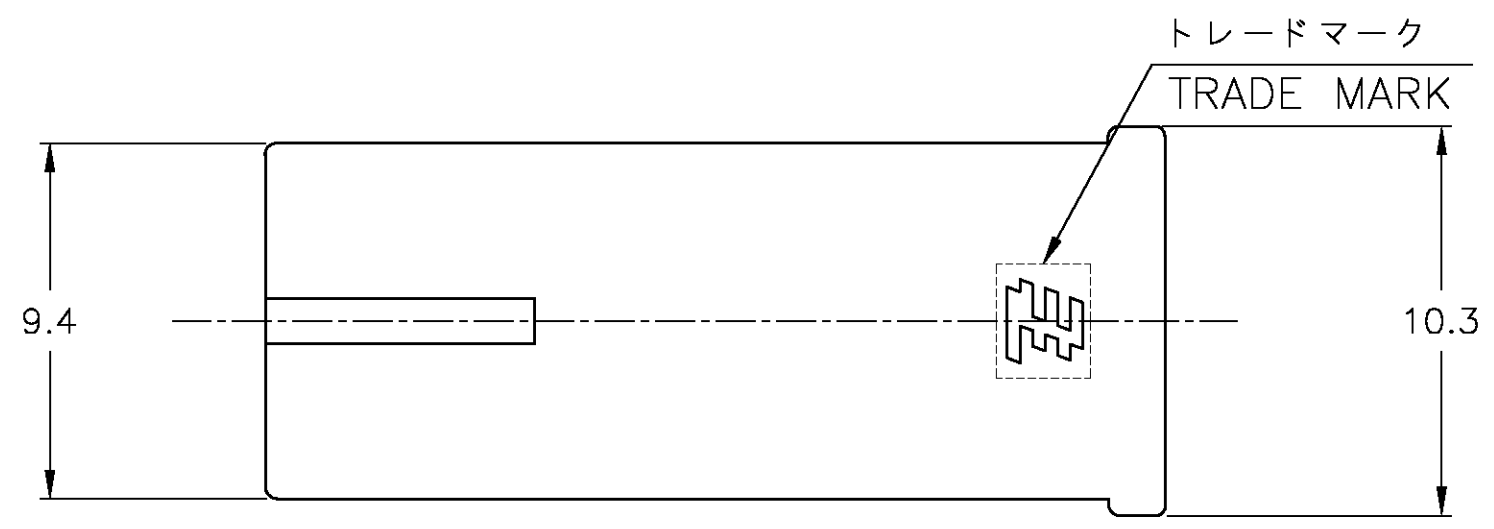
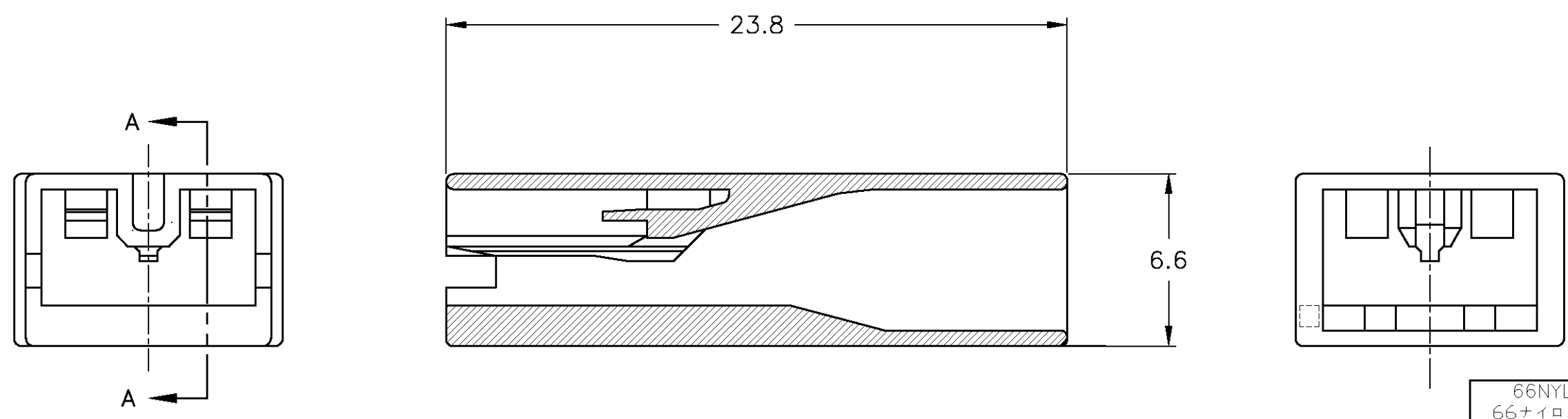


THIS DRAWING IS UNPUBLISHED. RELEASED FOR PUBLICATION JAN, 2002.  
 © COPYRIGHT 2002 BY TYCO ELECTRONICS CORPORATION. ALL INTERNATIONAL RIGHTS RESERVED.

LOC	DIST	REVISIONS 変更			
P	LTR	DESCRIPTION	DATE	DWN	APVD
	E	REVISED ECR-10-010452	28MAY2010	T.T	T.M
	F	REVISED, ECR-10-007304	03AUG2010	Y.O	N.Y



- 1 適用製品規格: 108-5437
- 2 適用コンタクト型番:  
179973-X, 179974-X, 179975-X
- 3 取扱説明書: 411-5691
- ⚠ 推奨電線径: AWG#18以上, 被覆外径2.8mm以上  
より細い電線をご使用の場合は、電線が変形しないように  
コンタクト装着の作業方法をご確認ください



66NYLON UL5VA 66ナイロン UL5VA相当	BLUE 青色	⚠1-1318954-6
66NYLON UL5VA 66ナイロン UL5VA相当	NATURAL 自然色	⚠1-1318954-1
66NYLON UL94V-0 66ナイロン UL94V-0	BLUE 青色	1318954-6
66NYLON UL94V-0 66ナイロン UL94V-0	NATURAL 自然色	1318954-1
MATERIAL 材料	COLOR 色調	PART NUMBER 型番

- 1 PRODUCT SPEC: 108-5437
- 2 APPLICABLE CONTACT:  
179973-X, 179974-X, 179975-X
- 3 INSTRUCTION SHEET: 411-5691
- ⚠ RECOMMENDED WIRE  
AWG: #18 OR THICKER  
INSULATION DIAMETER: 2.8mm OR THICKER  
IN THE CASE THAT ABOVE WIRE IS NOT USED,  
PLEASE CONSIDER HOW TO INSERT CONTACT INTO HOUSING  
WITHOUT WIRE DEFORMATION

THIS DRAWING IS A CONTROLLED DOCUMENT.		DWN T.HATANO 15JAN2002	Tyco Electronics Corporation Kawasaki, Japan	
DIMENSIONS: 単位: 耗 mm		CHK A.OISHI 15JAN2002	NAME 名称 250 SERIES POSITIVE LOCK EX-II 1 POS REC HOUSING SHROUD TYPE	
TOLERANCES UNLESS OTHERWISE SPECIFIED: 一般公差		APVD M.SHINDO 15JAN2002	PRODUCT SPEC 製品規格 SEE NOTE	
0 PLC ± ≤10:±0.2		APPLICATION SPEC 取付適用規格		
1 PLC ± 10< ≤30:±0.25		SIZE A3		
2 PLC ± 30< ≤100:±0.3		CAGE CODE 00779		
3 PLC ±		DRAWING NO C-1318954		
4 PLC ±		RESTRICTED TO		
ANGLES ±3'		SCALE 尺度 5:1		
MATERIAL 材料 SEE TABLE	FINISH 仕上	SHEET 1 OF 1		
CUSTOMER DRAWING		REV F		

## X-ON Electronics

Largest Supplier of Electrical and Electronic Components

*Click to view similar products for [Terminals](#) category:*

*Click to view products by [TE Connectivity](#) manufacturer:*

Other Similar products are found below :

[00-054007-01074-6](#) [00-054007-70206-1](#) [00-054007-70210-8](#) [00-054007-70217-7](#) [00-054007-70226-9](#) [00-054007-70228-3](#) [00-054007-70248-1](#) [00-054007-70256-6](#) [00-054007-70301-3](#) [00-054007-70316-7](#) [0-0320562-0](#) [00-054007-49560-4](#) [00-054007-70209-2](#) [00-054007-70225-2](#) [00-054007-70227-6](#) [00-054007-70231-3](#) [00-054007-70241-2](#) [00-054007-70242-9](#) [00-054007-70244-3](#) [00-054007-70246-7](#) [00-054007-70263-4](#) [00-054007-70288-7](#) [00-054007-70290-0](#) [00-054007-70300-6](#) [00-054007-70304-4](#) [01-2065-1-0216](#) [01-2900-1-04412](#) [00581P0075](#) [600TS-10](#) [60205-1](#) [604200-1](#) [605601-1](#) [60598-1-CUT-TAPE](#) [61314-6-C](#) [61810-3](#) [61-S](#) [61-SN](#) [626-0194](#) [62-NBM-A](#) [62-SN](#) [62-SP](#) [63-S](#) [640179-1](#) [M55155/059I03](#) [M55155/079C01](#) [M55155/099H02](#) [M55155/109H01](#) [M55155/109H02](#) [M55155/12XH05](#) [M55155/16XH02](#)