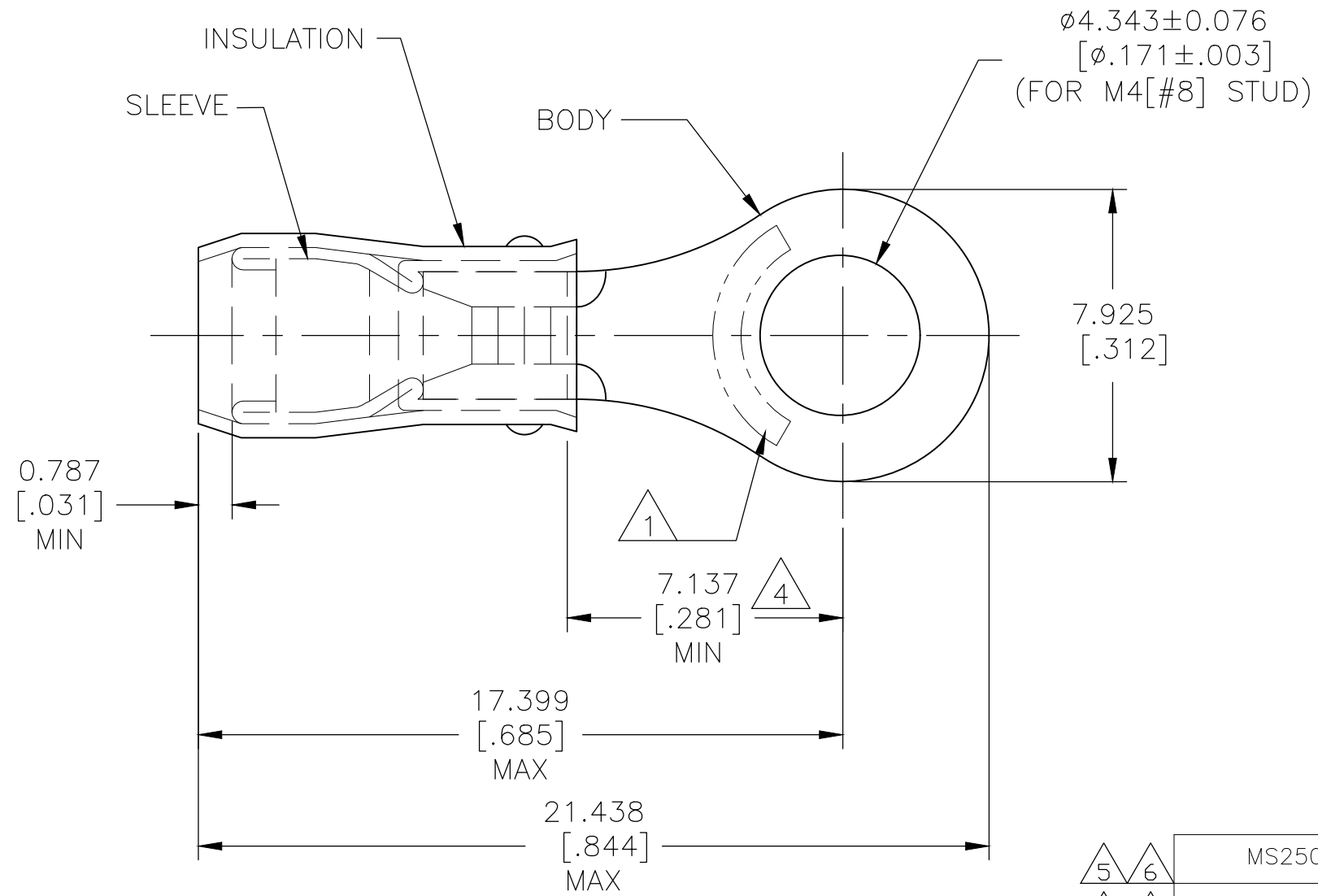


THIS DRAWING IS UNPUBLISHED. RELEASED FOR PUBLICATION
 © COPYRIGHT - By - ALL RIGHTS RESERVED.

REVISIONS					
P	LTR	DESCRIPTION	DATE	DWN	APVD
AA1		REVISED PER ECO-17-008114	05JUN2018	RS	DR
AA2		REVISED PER ECO-19-007720	21MAY2020	KR	DR

AMP WIRE RANGE	E13288 Listed	LR7189 Certified
22-16 AWG SOLID OR STRANDED	22-16 AWG STRANDED	22-16 AWG SOLID OR STRANDED



- STAMP AMP 22-18* APPROX AS SHOWN
22-16 TERMINALS ARE STAMPED 22-18 IN
ACCORDANCE WITH MILITARY SPEC SAE AS7928
COMMERCIAL WIRE RANGE IS 22-16.
- 2 WIRE INSULATION DIA: 2.032-3.175[.080-.125].
- 3 BODY MATERIAL THK: 0.787±0.051[.031±.002].
- APPLIES FROM EDGE OF METAL WIRE BARREL TO
CENTER OF STUD HOLE.
- UL LISTED
- CSA CERTIFIED

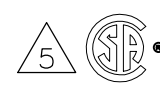
		MS25036-149 CLASS 2	5000	ON TAPE, REEL	1-320551-1
		MS25036-149 CLASS 1 & 2	1000	LOOSE PIECE	320551
		MILITARY P/N AND CLASS	QUANTITY	PACKAGE TYPE	PART NO

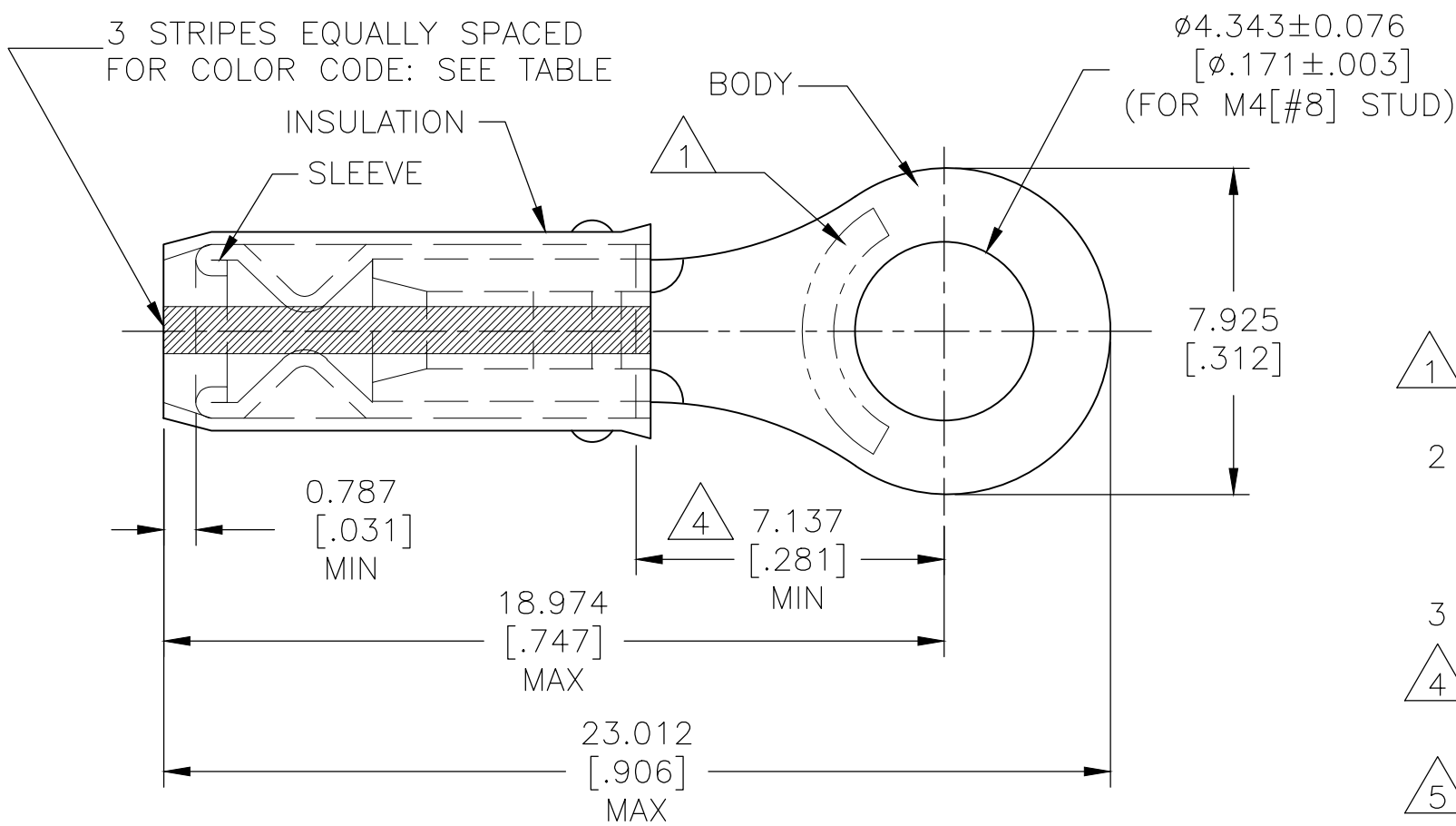
AMP INCORPORATED CUSTOMER SERVICE SYSTEMS		MAX RECOMMENDED OPERATING TEMPERATURE: 105°C[221°F]
FOR ADDITIONAL PRODUCT INFORMATION OR COPIES OF DRAWINGS AND TECHNICAL DOCUMENTS	PRODUCT INFORMATION CENTER 1-800-522-6752	VOLTAGE RATING: 300 V MAX
FOR APPLICATION TOOLING INFORMATION	TOOLING ASSISTANCE CENTER 1-800-722-1111	CIRCULAR MIL AREA: 0.26-1.65mm²[509-3,260] CIR MILS SOLID OR STRANDED
FOR ORDER ENTRY	1-800-526-5142	

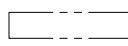
THIS DRAWING IS A CONTROLLED DOCUMENT.		DWN DK SCHRUM 9/8/93	TE Connectivity Ltd.		
DIMENSIONS: mm [INCHES]		CHK RE HERSEY 9/8/93			
TOLERANCES UNLESS OTHERWISE SPECIFIED:		APVD ML ELLIS 9/8/93	NAME TERMINAL, RING TONGUE, PIDG™, WIRE SIZE, 26-16 AWG		
0 PLC ± - 1 PLC ± - 2 PLC ± - 3 PLC ± 0.127[.005] 4 PLC ± - ANGLES ± -		PRODUCT SPEC UL 486A-B	DRAWING NO 114-2157		
MATERIAL BODY & SLEEVE COPPER PER ASTM B-152 INSULATION: NYLON		FINISH BODY & SLEEVE TIN PLATE PER ASTM B545 INSULATION: COLOR-RED	APPLICATION SPEC 114-2157	SIZE A3	CAGE CODE 00779
CUSTOMER DRAWING			DRAWING NO C-320551	RESTRICTED TO -	
			WEIGHT -	SCALE NTS	SHEET 1 OF 2
				REV AA2	

THIS DRAWING IS UNPUBLISHED. RELEASED FOR PUBLICATION
 © COPYRIGHT - By - ALL RIGHTS RESERVED.

REVISIONS					
P	LTR	DESCRIPTION	DATE	DWN	APVD
-	-	SEE SHEET 1	-	-	-

AMP WIRE RANGE	 LR 7189 Certified
SEE TABLE STRANDED	WIRE SIZE PER TABLE STRANDED



- 1 STAMP AMP  APPROX AS SHOWN SEE TABLE BELOW.
- 2 WIRE INSULATION DIA: 0.965-2.794[.038-.110] FOR 22 AWG
1.168-2.794[.046-.110] FOR 20 AWG
1.422-2.794[.056-.110] FOR 18 AWG.
- 3 BODY MATERIAL THK: 0.787±0.051[.031±.002].
- 4 APPLIES FROM EDGE OF METAL WIRE BARREL TO CENTER OF STUD HOLE.
- 5 CSA CERTIFIED

5	-	RED	20*	20	100	LOOSE PIECE, BOX	8-320551-1
5	M7928/1-32 CLASS 2	WHITE	18*	18	5000	ON TAPE, REEL	1-320551-8
5	M7928/1-32 CLASS 1 & 2	WHITE	18*	18	1000	LOOSE PIECE	1-320551-4
5	M7928/1-23 CLASS 1 & 2	RED	20*	20	1000	LOOSE PIECE	1-320551-3
5	M7928/1-14 CLASS 1 & 2	GREEN	22*	22	1000	LOOSE PIECE	1-320551-2
	MILITARY P/N AND CLASS	STRIPE COLOR	1 STAMPING	WIRE SIZE	QUANTITY	PACKAGE TYPE	PART NO

AMP INCORPORATED
CUSTOMER SERVICE SYSTEMS

FOR ADDITIONAL PRODUCT INFORMATION OR COPIES OF DRAWINGS AND TECHNICAL DOCUMENTS: PRODUCT INFORMATION CENTER 1-800-522-6752

FOR APPLICATION TOOLING ASSISTANCE CENTER: TOOLING INFORMATION 1-800-722-1111

FOR ORDER ENTRY: 1-800-526-5142

MAX RECOMMENDED OPERATING TEMPERATURE: 105°C[221°F]

VOLTAGE RATING: 300 V MAX

WIRE RANGE:	CIRC MIL AREA:
22	0.38mm ² [754]
20	0.60mm ² [1,186]
18	0.96mm ² [1,900]

STRANDED

THIS DRAWING IS A CONTROLLED DOCUMENT.

DWN	DK SCHRUM	9/8/93
CHK	RE HERSEY	9/8/93
APVD	ML ELLIS	9/8/93
PRODUCT SPEC	-	-
APPLICATION SPEC	114-2157	-
WEIGHT	-	-

DIMENSIONS: mm [INCHES]

TOLERANCES UNLESS OTHERWISE SPECIFIED:

0 PLC	± -
1 PLC	± -
2 PLC	± -
3 PLC	± 0.127[.005]
4 PLC	± -
ANGLES	± -

MATERIAL: BODY & SLEEVE COPPER PER ASTM B-152; INSULATION: NYLON

FINISH: BODY & SLEEVE TIN PLATE PER ASTM B545; INSULATION: COLOR-RED

STE TE Connectivity Ltd.

NAME: TERMINAL, RING TONGUE, I.R., PIDG WIRE SIZE, 22, 20 & 18 AWG

SIZE	CAGE CODE	DRAWING NO	RESTRICTED TO
A3	00779	C-320551	-

CUSTOMER DRAWING SCALE: NTS SHEET: 2 OF 2 REV: AA2

X-ON Electronics

Largest Supplier of Electrical and Electronic Components

Click to view similar products for [Terminals](#) category:

Click to view products by [TE Connectivity](#) manufacturer:

Other Similar products are found below :

[00-054007-01074-6](#) [00-054007-70206-1](#) [00-054007-70210-8](#) [00-054007-70217-7](#) [00-054007-70226-9](#) [00-054007-70228-3](#) [00-054007-70248-1](#) [00-054007-70256-6](#) [00-054007-70301-3](#) [00-054007-70316-7](#) [0-0320562-0](#) [00-054007-49560-4](#) [00-054007-70209-2](#) [00-054007-70225-2](#) [00-054007-70227-6](#) [00-054007-70231-3](#) [00-054007-70241-2](#) [00-054007-70242-9](#) [00-054007-70244-3](#) [00-054007-70246-7](#) [00-054007-70263-4](#) [00-054007-70288-7](#) [00-054007-70290-0](#) [00-054007-70300-6](#) [00-054007-70304-4](#) [01-2065-1-0216](#) [01-2900-1-04412](#) [00581P0075](#) [600TS-10](#) [60205-1](#) [604200-1](#) [605601-1](#) [60598-1-CUT-TAPE](#) [61314-6-C](#) [61810-3](#) [61-S](#) [61-SN](#) [626-0194](#) [62-NBM-A](#) [62-SN](#) [62-SP](#) [63-S](#) [640179-1](#) [M55155/059I03](#) [M55155/079C01](#) [M55155/099H02](#) [M55155/109H01](#) [M55155/109H02](#) [M55155/12XH05](#) [M55155/16XH02](#)