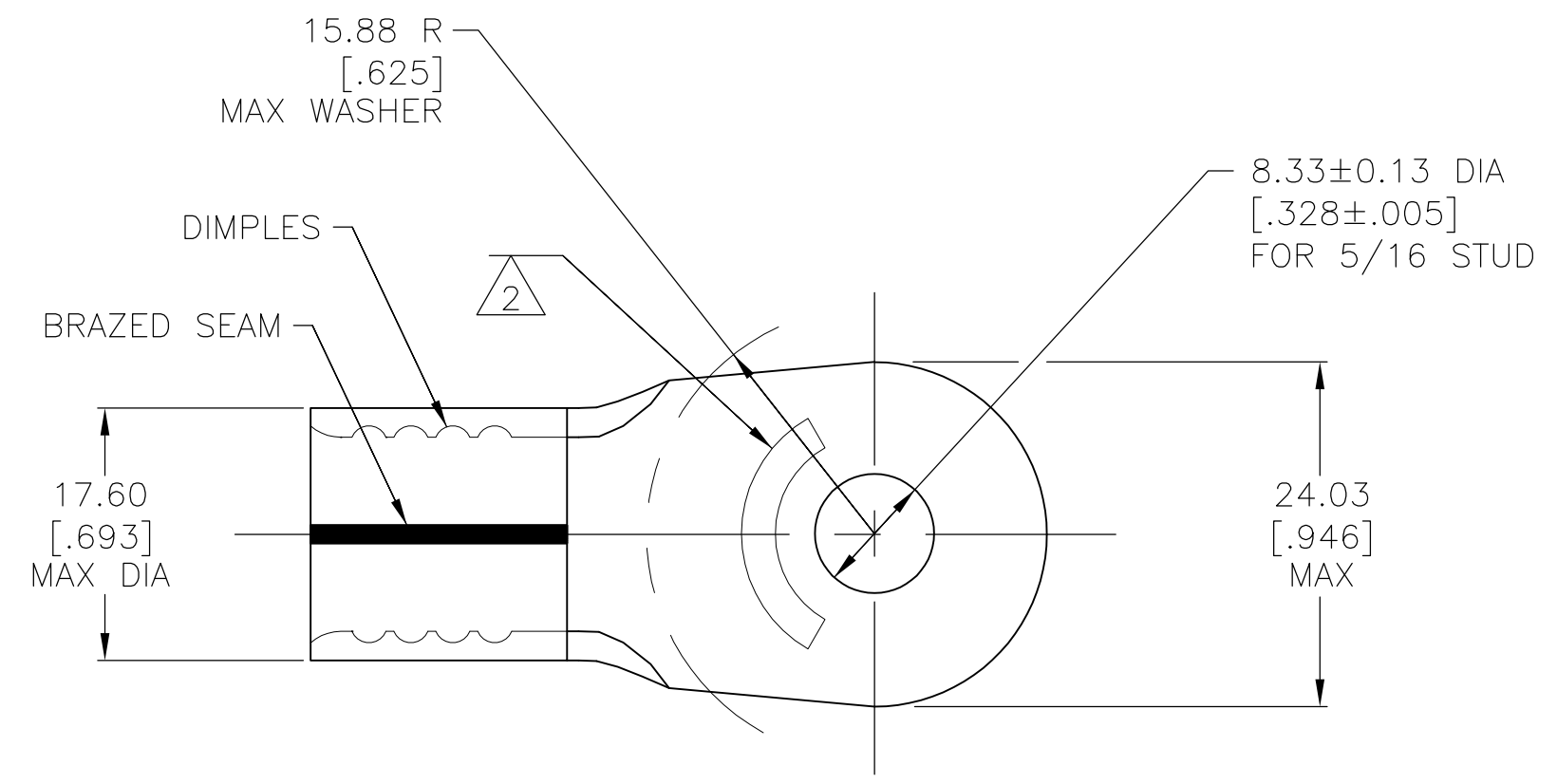


THIS DRAWING IS UNPUBLISHED. RELEASED FOR PUBLICATION
 © COPYRIGHT - By - ALL RIGHTS RESERVED.

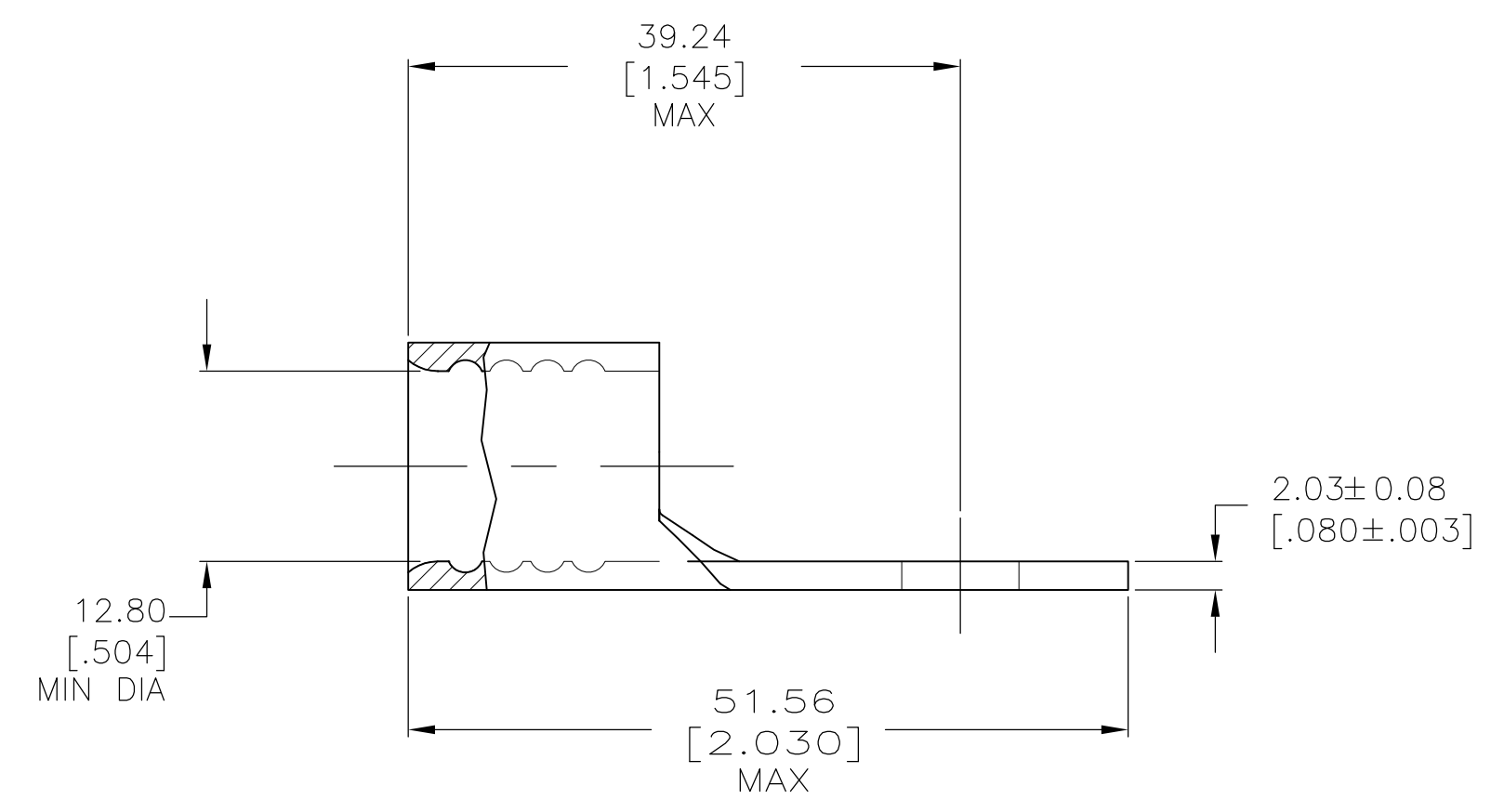
| LOC | | DIST | | REVISIONS | | | |
|-----|-----|---------------------------|---------|-----------|------|--|--|
| P | LTR | DESCRIPTION | DATE | DWN | APVD | | |
| | B2 | REVISED PER ECO-12-013449 | 23JUL12 | KH | DR | | |



- △1 NICKEL PLATE 0.0076[.00030] MIN THK EXT PER SAE AMS QQ-N-290
- △2 STAMP AMP 2/0 W* APPROX AS SHOWN

AMP
WIRE RANGE

2/0 AWG
SOLID OR STRANDED



132074-2
PART NO.

| | | | | | | | | | |
|--|---|--|--|--|--|---|--------------------|------------------------|--------------------|
| AMP INCORPORATED CUSTOMER SERVICE SYSTEMS | | MAX RECOMMENDED OPERATING TEMPERATURE: 343°C[650°F] MAX | THIS DRAWING IS A CONTROLLED DOCUMENT. | | DWN JR RUTH 25JAN10 CHK TOM MICHELUTTI 25JAN10 APVD TOM MICHELUTTI 25JAN10 | TE Connectivity | | | |
| FOR ADDITIONAL PRODUCT INFORMATION OR COPIES OF DRAWINGS AND TECHNICAL DOCUMENTS 1-800-522-6752 | PRODUCT INFORMATION CENTER 1-800-522-6752 | VOLTAGE RATING: N/A | DIMENSIONS: mm [INCHES] | TOLERANCES UNLESS OTHERWISE SPECIFIED: 0 PLC ± - 1 PLC ± - 2 PLC ± 0.20[.008] 3 PLC ± - 4 PLC ± - ANGLES ± - | NAME TOM MICHELUTTI | TERMINAL, RING TONGUE, STRATO-THERM 2/0 AWG, 5/16 | | | |
| FOR APPLICATION TOOLING INFORMATION 1-800-722-1111 | TOOLING ASSISTANCE CENTER 1-800-722-1111 | CIRCULAR MIL AREA: 60.6-76.3mm²[119,500-150,500] SOLID OR STRANDED | | MATERIAL COPPER PER ASTM B-152 ANNEALED | APPLICATION SPEC - | SIZE A2 | CAGE CODE 00779 | DRAWING NO C=132074 | RESTRICTED TO - |
| FOR ORDER ENTRY 1-800-526-5142 | THIS DRAWING IS A CONTROLLED DOCUMENT FOR AMP INCORPORATED. IT IS SUBJECT TO CHANGE AND THE CONTROLLING ENGINEERING ORGANIZATION SHOULD BE CONTACTED FOR THE LATEST REVISION. | | FINISH △1 | WEIGHT - | CUSTOMER DRAWING | SCALE 2:1 | SHEET 1 OF 1 | REV B2 | |

X-ON Electronics

Largest Supplier of Electrical and Electronic Components

Click to view similar products for [Terminals](#) category:

Click to view products by [TE Connectivity](#) manufacturer:

Other Similar products are found below :

[00-054007-01074-6](#) [00-054007-70206-1](#) [00-054007-70210-8](#) [00-054007-70217-7](#) [00-054007-70226-9](#) [00-054007-70228-3](#) [00-054007-70248-1](#) [00-054007-70256-6](#) [00-054007-70301-3](#) [00-054007-70316-7](#) [0-0320562-0](#) [00-054007-49560-4](#) [00-054007-70209-2](#) [00-054007-70225-2](#) [00-054007-70227-6](#) [00-054007-70231-3](#) [00-054007-70241-2](#) [00-054007-70242-9](#) [00-054007-70244-3](#) [00-054007-70246-7](#) [00-054007-70263-4](#) [00-054007-70288-7](#) [00-054007-70290-0](#) [00-054007-70300-6](#) [00-054007-70304-4](#) [01-2065-1-0216](#) [01-2900-1-04412](#) [00581P0075](#) [600TS-10](#) [60205-1](#) [604200-1](#) [605601-1](#) [60598-1-CUT-TAPE](#) [61314-6-C](#) [61810-3](#) [61-S](#) [61-SN](#) [626-0194](#) [62-NBM-A](#) [62-SN](#) [62-SP](#) [63-S](#) [640179-1](#) [M55155/059I03](#) [M55155/079C01](#) [M55155/099H02](#) [M55155/109H01](#) [M55155/109H02](#) [M55155/12XH05](#) [M55155/16XH02](#)