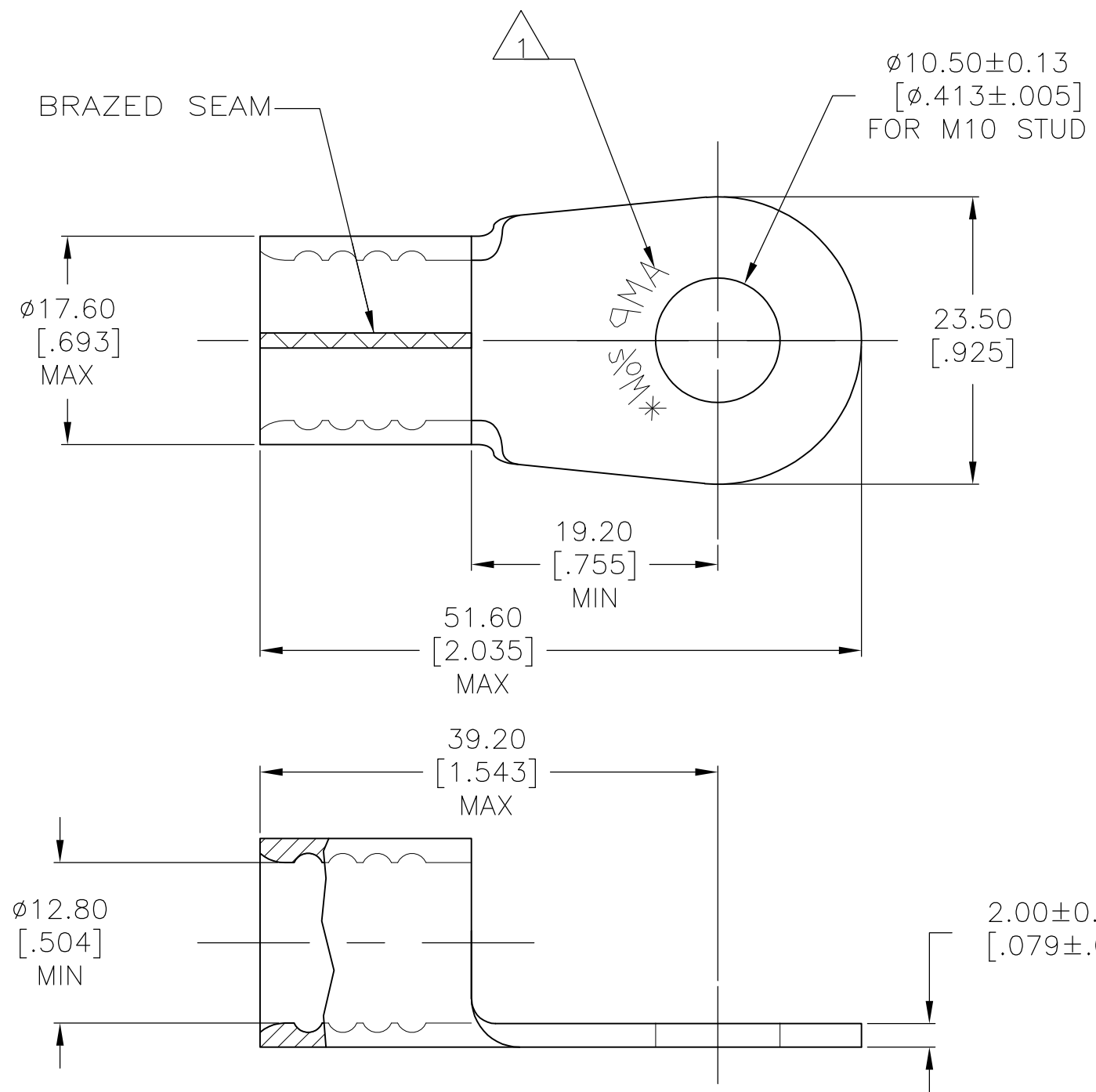


THIS DRAWING IS UNPUBLISHED. RELEASED FOR PUBLICATION
 © COPYRIGHT - By - ALL RIGHTS RESERVED.

LOC	DIST	REVISIONS					
		P	LTR	DESCRIPTION	DATE	DWN	APVD
G	05		B2	REVISED PER ECO-12-013449	23JUL12	KH	DR

AMP
WIRE RANGE

2/0 AWG
SOLID OR STRANDED



- 1 STAMP "AMP 2/0W*", LOCATED APPROX AS SHOWN
- 2 MAX OPERATION TEMPERATURE IS 343°C [650°F] MAX
- 3 WIRE CROSS SECTIONAL AREA IS 60.6-76.3mm² [119,500-150,000] CMA.
- 4 COPPER PER ASTM B-152, ANNEALED
- 5 NICKEL PLATE 0.00762 [.0001300] MIN THK EXT PER SAE AMS QQ-N-290

25	LOOSE PIECE	132104-2
QTY	PACKAGE TYPE	PART NO.

THIS DRAWING IS A CONTROLLED DOCUMENT.		DWN	JR RUTH	25JAN10	STE TE Connectivity											
DIMENSIONS: mm [INCHES]		CHK	T MICHELUTTI	25JAN10												
TOLERANCES UNLESS OTHERWISE SPECIFIED:		APVD	T MICHELUTTI	25JAN10												
<table border="0"> <tr><td>0 PLC</td><td>± -</td></tr> <tr><td>1 PLC</td><td>± -</td></tr> <tr><td>2 PLC</td><td>± 0.20 [.008]</td></tr> <tr><td>3 PLC</td><td>± -</td></tr> <tr><td>4 PLC</td><td>± -</td></tr> <tr><td>ANGLES</td><td>± -</td></tr> </table>		0 PLC	± -	1 PLC		± -	2 PLC	± 0.20 [.008]	3 PLC	± -	4 PLC	± -	ANGLES	± -	PRODUCT SPEC	NAME
0 PLC	± -															
1 PLC	± -															
2 PLC	± 0.20 [.008]															
3 PLC	± -															
4 PLC	± -															
ANGLES	± -															
MATERIAL		APPLICATION SPEC	TERMINAL, RING TONGUE, STRATO-THERM													
FINISH		WEIGHT	SIZE													
4		-		A3												
5		-		00779												
		CUSTOMER DRAWING		C-132104												
		SCALE		RESTRICTED TO												
		2:1		-												
		SHEET		REV												
		1 OF 1		B2												

X-ON Electronics

Largest Supplier of Electrical and Electronic Components

Click to view similar products for [Terminals](#) category:

Click to view products by [TE Connectivity](#) manufacturer:

Other Similar products are found below :

[HT-13-10](#) [71M-250-32-NB](#) [01-2065-1-0216](#) [00581P0075](#) [M10-10RX](#) [M10BCK](#) [60205-1](#) [604200-1](#) [60598-1-CUT-TAPE](#) [60617-1-C](#) [60873-1](#) [M14-516R/SK](#) [M14-6RSX](#) [M18-10FLX](#) [M18-8FBX](#) [M18-8R/LX](#) [M18BCK](#) [61314-6-C](#) [61-S](#) [61-SN-A](#) [62-NBM-A](#) [63-S](#) [640179-1](#) [640917-2-CUT-TAPE](#) [6501550002](#) [66107-2-C](#) [66107-4-C](#) [696683-1](#) [696834-1](#) [696861-1](#) [696931-1](#) [696999-1](#) [M8-516RK](#) [M86700006](#) [MA250DMFMX-A](#) [701-2007](#) [701-2307](#) [701-7761-03](#) [70F-110-32-PB](#) [718-N-A](#) [71M-187-20-NBL](#) [71M-250-32-NBL](#) [72F-187-20-NBL](#) [72M-250-32-NBL](#) [7310](#) [73F-250-32](#) [73F-250-32-NBL](#) [73F-250-32-NL](#) [F14-10C](#) [F-1M](#)