

4

3

2

1

THIS DRAWING IS UNPUBLISHED.

RELEASED FOR PUBLICATION

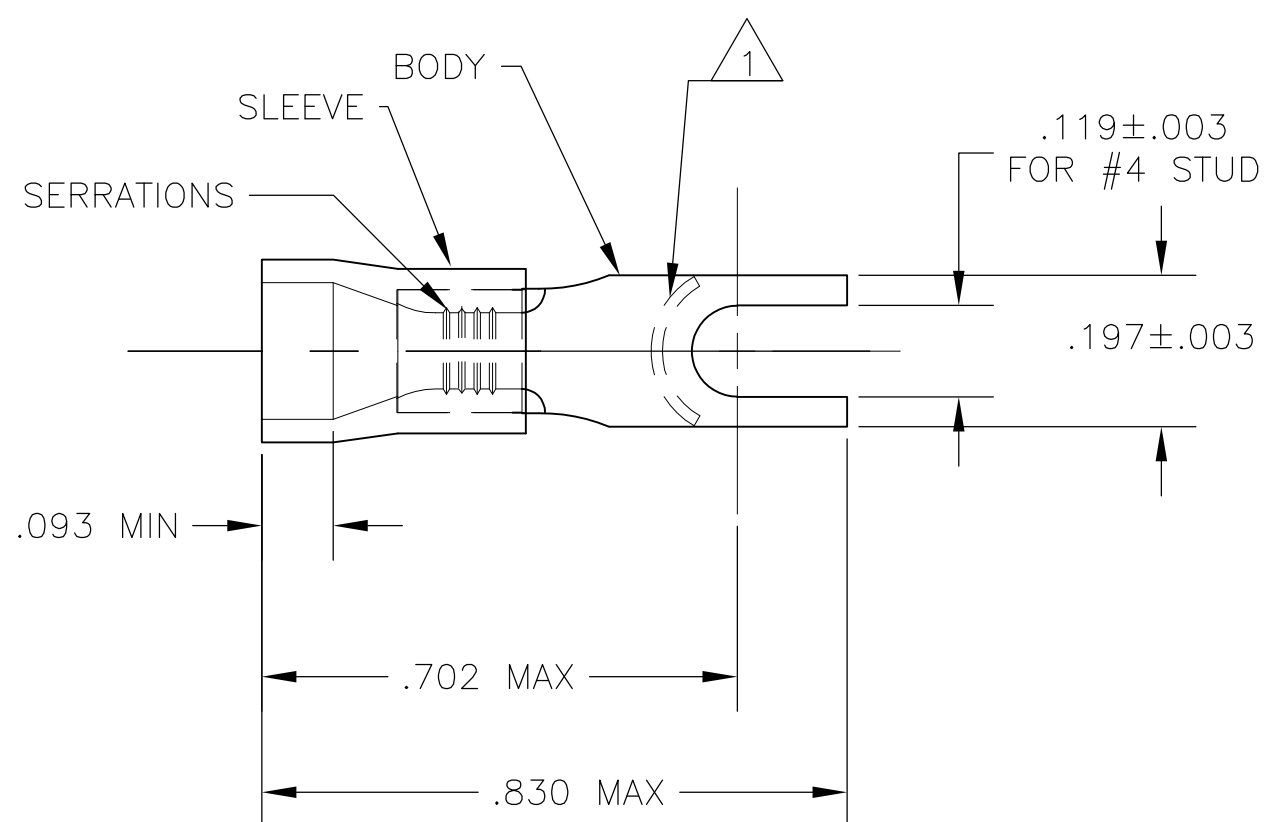
- . - .

© COPYRIGHT - By -


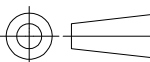
ALL RIGHTS RESERVED.

LOC	DIST	REVISIONS			
P	LTR	DESCRIPTION	DATE	DWN	APVD
G	86	A1	REVISED PER ECO-15-010719	25JUL2015	NK DR

- 1 STAMP AMP 16-14, LOCATE APPROX AS SHOWN.
- 2 WIRE INSULATION DIA IS .118-.193
- 3 TONGUE THICKNESS IS .031±.002
- 4 MATERIAL: BODY-CU PER ASTM B152  
SLEEVE-PVC, COLOR BLUE



1000	LOOSE PIECE	132528-1
QTY	PACKAGE TYPE	PART NO

THIS DRAWING IS A CONTROLLED DOCUMENT.		DWN jr_ruth 16FEB06	 TE Connectivity	
DIMENSIONS: INCHES		CHK T MICHELUTTI 16FEB06		
		APVD T MICHELUTTI 16FEB06	NAME TERMINAL, SPADE, PLASTI-GRIP, WIRE SIZE 16-14 AWG	
TOLERANCES UNLESS OTHERWISE SPECIFIED:		PRODUCT SPEC	-	
0 PLC ± -		APPLICATION SPEC	-	
1 PLC ± -		WEIGHT	-	
2 PLC ± -		SIZE	A3	CAGE CODE
3 PLC ± .008		DRAWING NO	G-132528	
4 PLC ± -		RESTRICTED TO	-	
ANGLES ± 5°		SCALE	4:1	
MATERIAL	- 4	FINISH	-	
CUSTOMER DRAWING		SHEET	1 OF 1	
		REV	A1	

## X-ON Electronics

Largest Supplier of Electrical and Electronic Components

*Click to view similar products for [Terminals](#) category:*

*Click to view products by [TE Connectivity](#) manufacturer:*

Other Similar products are found below :

[00-054007-01074-6](#) [00-054007-70206-1](#) [00-054007-70210-8](#) [00-054007-70217-7](#) [00-054007-70226-9](#) [00-054007-70228-3](#) [00-054007-70248-1](#) [00-054007-70256-6](#) [00-054007-70301-3](#) [00-054007-70316-7](#) [0-0320562-0](#) [00-054007-49560-4](#) [00-054007-70209-2](#) [00-054007-70225-2](#) [00-054007-70227-6](#) [00-054007-70231-3](#) [00-054007-70241-2](#) [00-054007-70242-9](#) [00-054007-70244-3](#) [00-054007-70246-7](#) [00-054007-70263-4](#) [00-054007-70288-7](#) [00-054007-70290-0](#) [00-054007-70300-6](#) [00-054007-70304-4](#) [01-2065-1-0216](#) [01-2900-1-04412](#) [00581P0075](#) [600TS-10](#) [60205-1](#) [604200-1](#) [605601-1](#) [60598-1-CUT-TAPE](#) [61314-6-C](#) [61810-3](#) [61-S](#) [61-SN](#) [626-0194](#) [62-NBM-A](#) [62-SN](#) [62-SP](#) [63-S](#) [640179-1](#) [M55155/059I03](#) [M55155/079C01](#) [M55155/099H02](#) [M55155/109H01](#) [M55155/109H02](#) [M55155/12XH05](#) [M55155/16XH02](#)