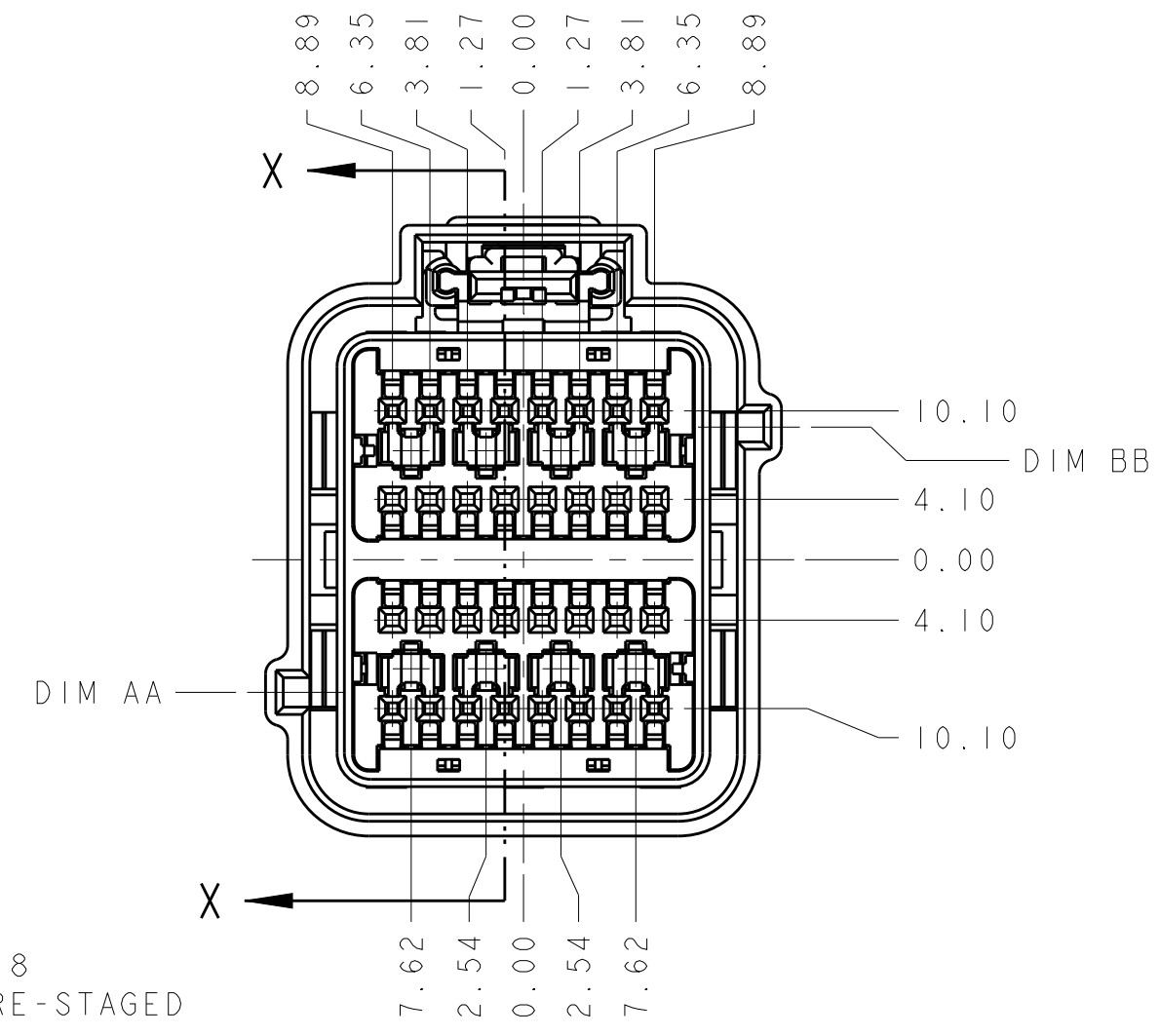
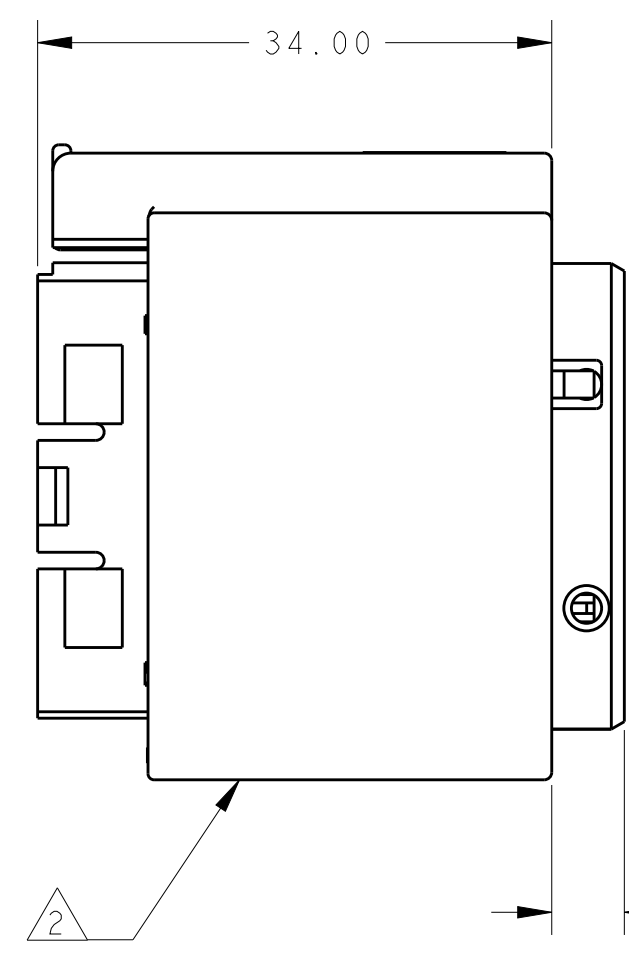
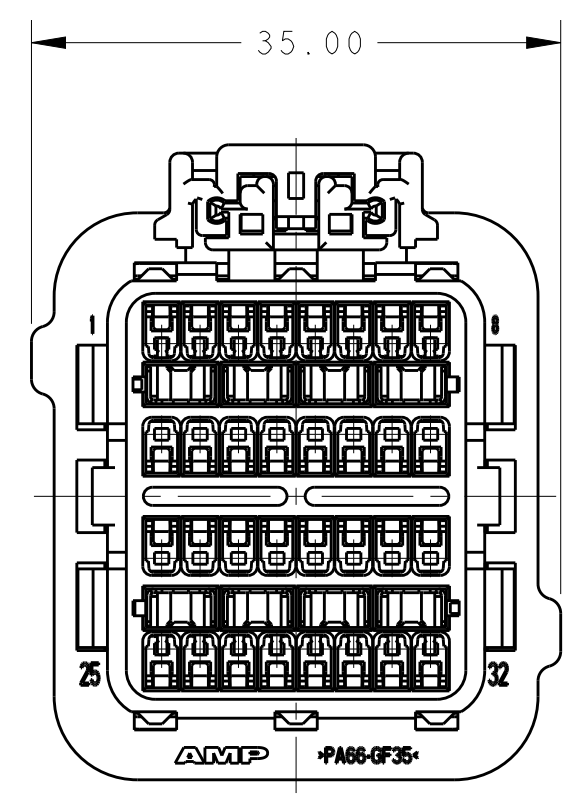
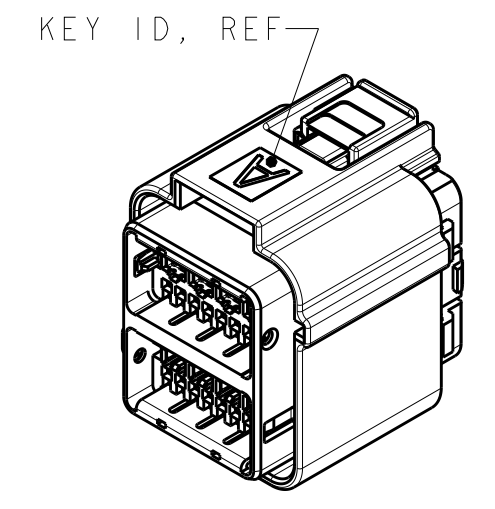
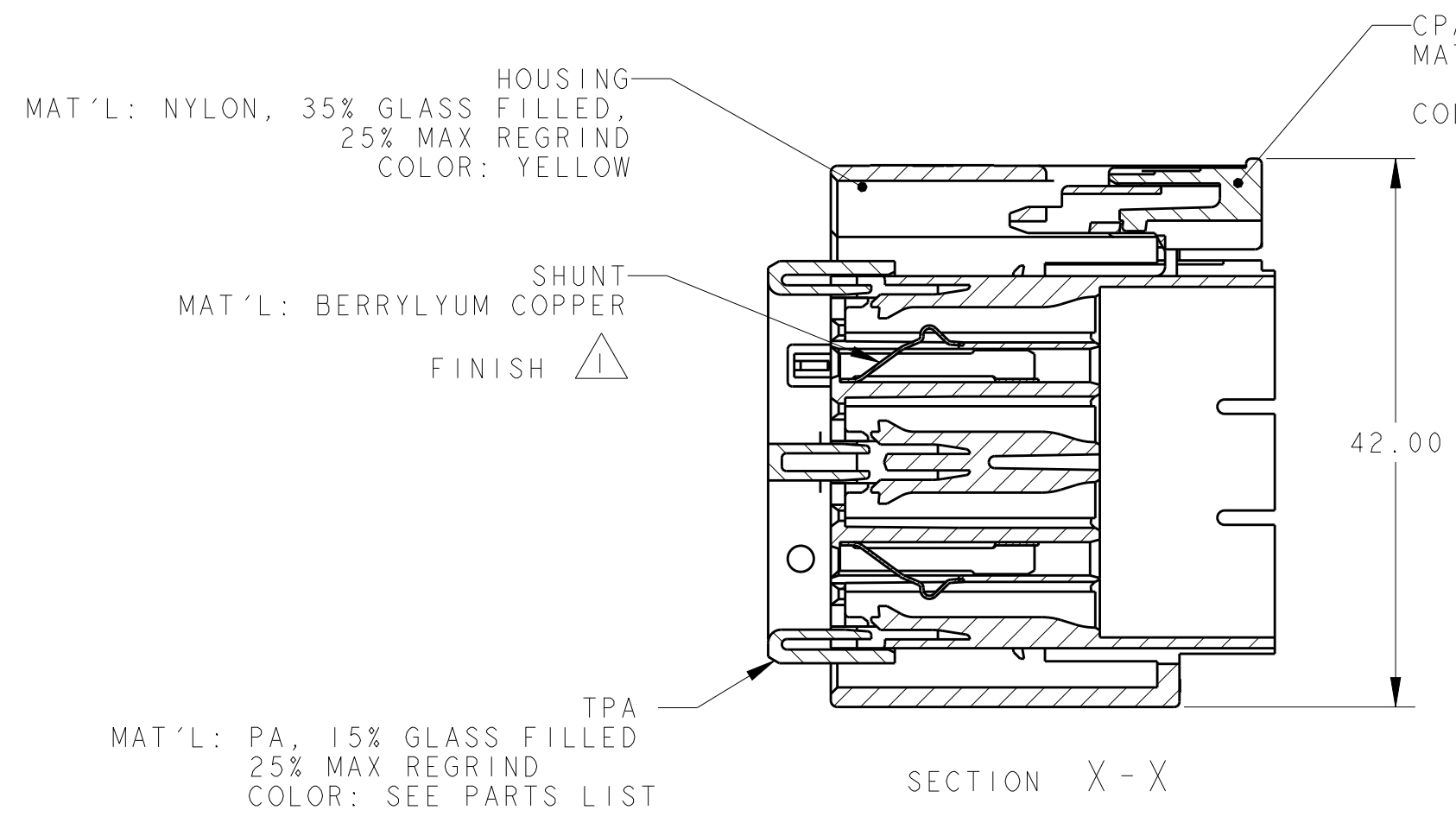


THIS DRAWING IS UNPUBLISHED. RELEASED FOR PUBLICATION
 © COPYRIGHT 20 BY - ALL RIGHTS RESERVED.

LOC	DIST	REVISIONS					
FX	00	P	LTR	DESCRIPTION	DATE	DWN	APVD
		P		REVISED PER ECO-11-016576	19AUG2011	DLD	RL
		P1		REVISED PER ECO-12-018186	16OCT2012	DLD	CJS
		P2		REVISED PER ECO-20-012739	16SEP2020	AP	CS



- 1 PLATE 0.00038mm MIN THK GOLD ON SURFACE (LOCALIZED) WHICH CONTACTS TERMINAL.
- 2 AMP PART NUMBER AND 4-DIGIT DATE CODE THIS AREA.
- 3. RECOMMEND THE USE OF A STRAIN RELIEF PURCHASED SEPARATELY.
- 4. TERMINAL 1326028 TO BE USED WITH THIS CONNECTOR, PURCHASED SEPARATELY. SEE THE CUSTOMER DRAWING 1326028 FOR PLATING AND WIRE SIZE OPTIONS.
- 4.1 TERMINALS WITH SHUNTED PLATING (REFERENCE TO CUSTOMER DRAWING 1326028 NOTE 2 TO CHOOSE THE CORRECT TERMINAL PART NUMBER) TO BE USED IN CIRCUIT LOCATIONS 1 TO 8 AND 25 TO 32.
- 4.2 TERMINALS WITHOUT SHUNTED PLATING (REFERENCE TO CUSTOMER DRAWING 1326028 NOTE 1 TO CHOOSE THE CORRECT TERMINAL PART NUMBER) TO BE USED IN CIRCUIT LOCATIONS 9 TO 16 AND 17 TO 24.
- 5. REMOVED.
- 6. ALL DIMENSIONS ARE FOR REFERENCE.
- 7. MINIMUM CONNECTOR MIS-MATING FORCE RESISTED BY POLARIZING FEATURES IS 150N.
- 8 PLUG ASSEMBLY HAS NO SHUNTS AND NO PART MARKING. TERMINALS WITHOUT SHUNTED PLATING CAN BE USED IN ALL LOCATIONS (REFERENCE TO CUSTOMER DRAWING 1326028 NOTE 1 TO CHOOSE THE CORRECT TERMINAL PART NUMBER).



DIM BB	DIM AA	TPA COLOR	DESCRIPTION	PART NUMBER
7.50	7.50	GREEN	PLUG ASSY, 32 POSN, NO SHUNTS, KEY AI	1-1326018-3 8
6.00	9.00	BLUE	PLUG ASSY, 32 POSN, NO SHUNTS, KEY B	1-1326018-2 8
9.00	6.00	RED	PLUG ASSY, 32 POSN, NO SHUNTS, KEY A	1-1326018-1 8
0.00	3.00	PURPLE	PLUG ASSY, 32 POSN, KEY BI	1326018-4
7.50	7.50	GREEN	PLUG ASSY, 32 POSN, KEY AI	1326018-3
6.00	9.00	BLUE	PLUG ASSY, 32 POSN, KEY B	1326018-2
9.00	6.00	RED	PLUG ASSY, 32 POSN, KEY A	1326018-1
DIM BB	DIM AA	TPA COLOR	DESCRIPTION	PART NUMBER
KEYING DIMENSIONS				

THIS DRAWING IS A CONTROLLED DOCUMENT.

DWN: F. KINSEY 11NOV99
 CHK: LTL 23NOV99
 APVD: LTL 23NOV99

SAE USCAR-2 8/97 PF 9600 REV B

STE TE Connectivity

PLUG ASSEMBLY, 32 POSITION, UNSEALED, 0.64mm CONNECTOR

SIZE: A2 CAGE CODE: 0779 DRAWING NO: 1326018 RESTRICTED TO: C

WEIGHT: -

CUSTOMER DRAWING SCALE: 2:1 SHEET 1 OF 1 REV: P2

X-ON Electronics

Largest Supplier of Electrical and Electronic Components

Click to view similar products for [Automotive Connectors](#) category:

Click to view products by [TE Connectivity](#) manufacturer:

Other Similar products are found below :

[003-018-000](#) [60403001](#) [60993906-B](#) [M902-2131](#) [M902-2161](#) [72.330.1035.1](#) [73.353.4028.0](#) [F119300-B](#) [F166900](#) [F258300-B](#) [F358300-B](#)
[F407400](#) [F444110](#) [F487000](#) [F509500B-B](#) [827153-1](#) [8N1515-32-24P](#) [9-1326729-8](#) [925474-1](#) [928905-1](#) [964562-4](#) [968782-1](#) [GT17SA-8DS-](#)
[HU](#) [98891-1012](#) [98947-1016](#) [12004147](#) [12004475-L](#) [12010290](#) [12010309-B](#) [12015454](#) [12020219-B](#) [12020308](#) [12041318-B](#) [12052225-L](#)
[12052466](#) [12059125](#) [12064869](#) [12004327-B](#) [12010503-B](#) [12015308](#) [12015384](#) [12015909](#) [1-21030-1](#) [12041254](#) [12041318](#) [12047946-B](#)
[12047957](#) [12047957-L](#) [12059473](#) [12066261](#)