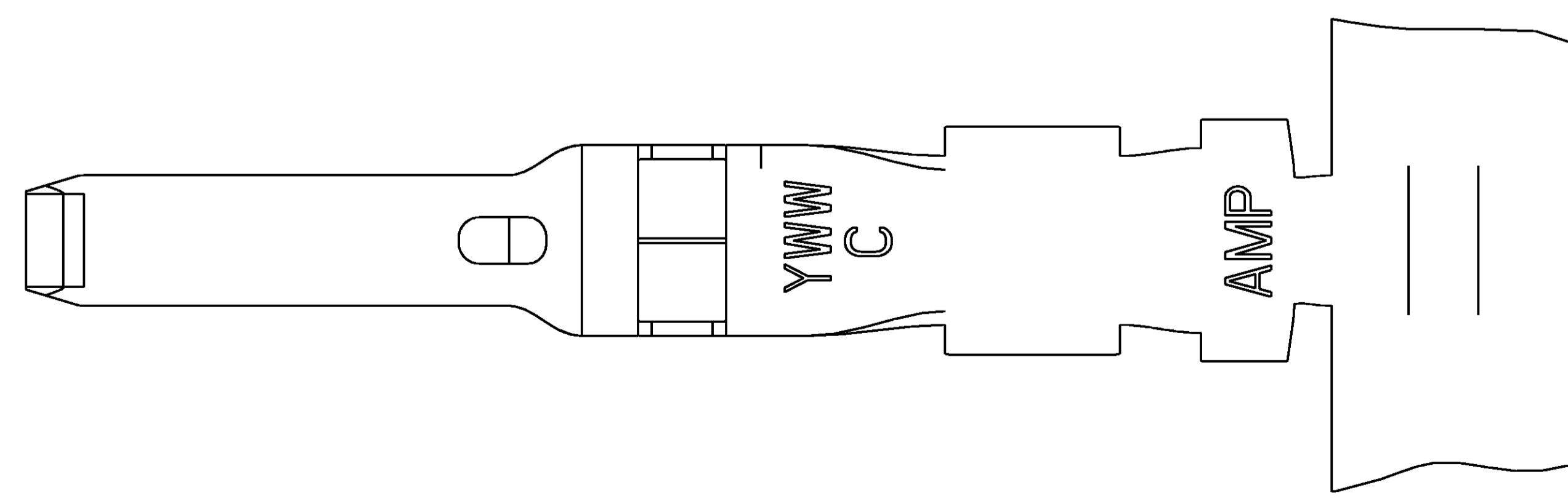
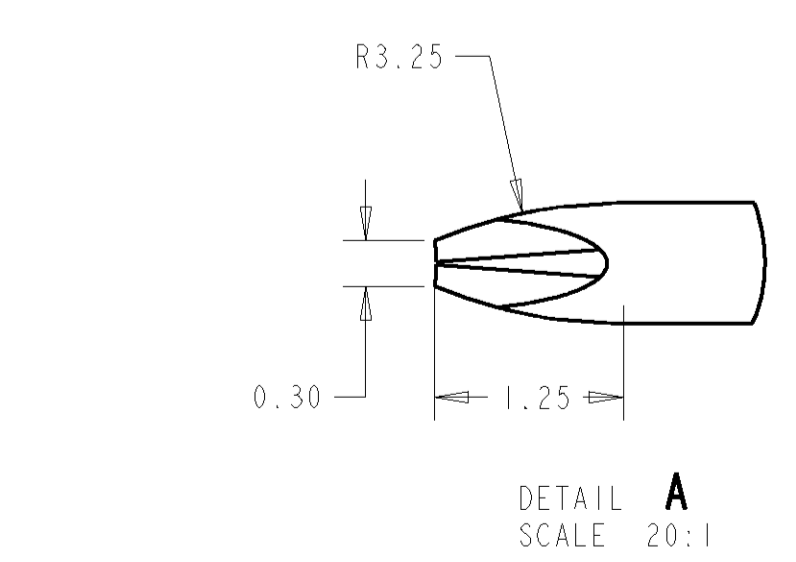
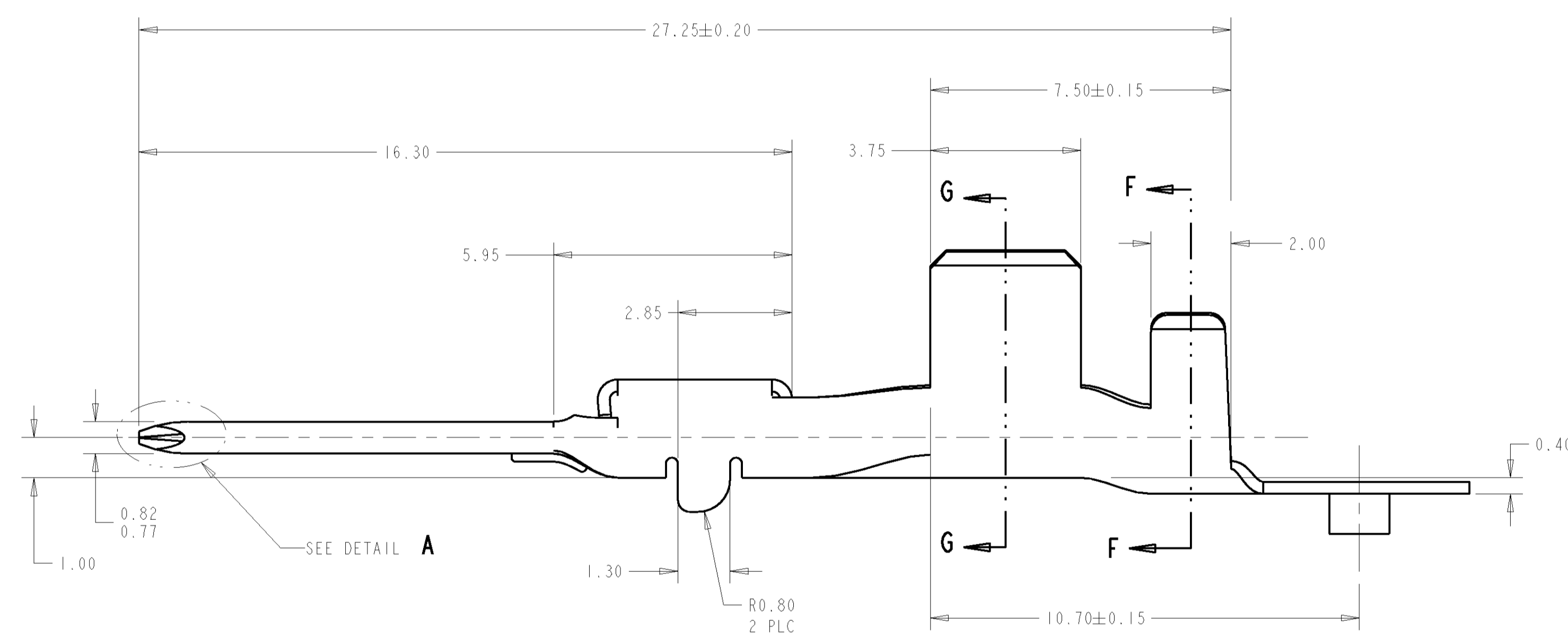
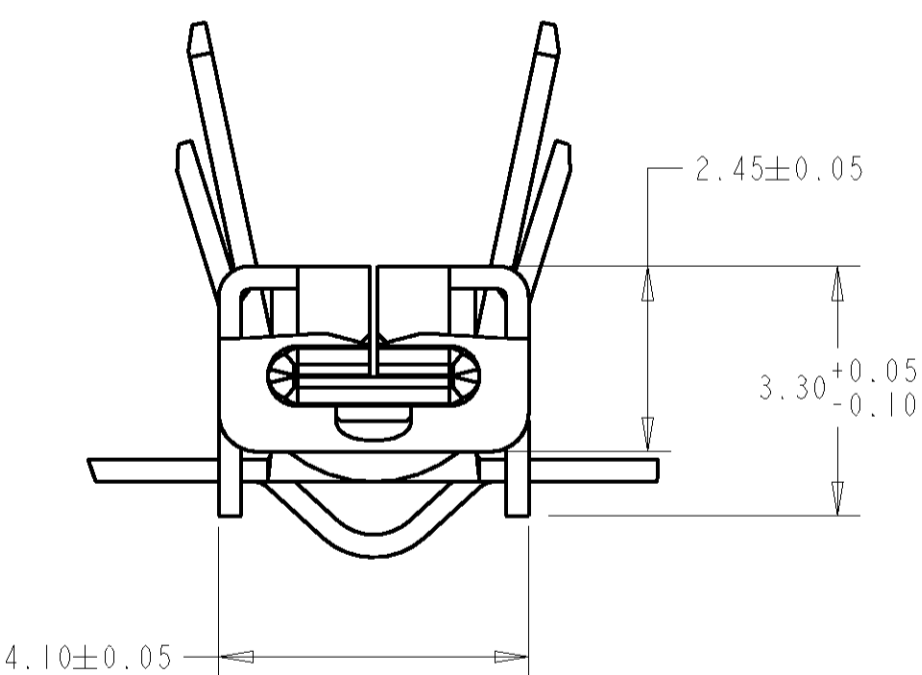
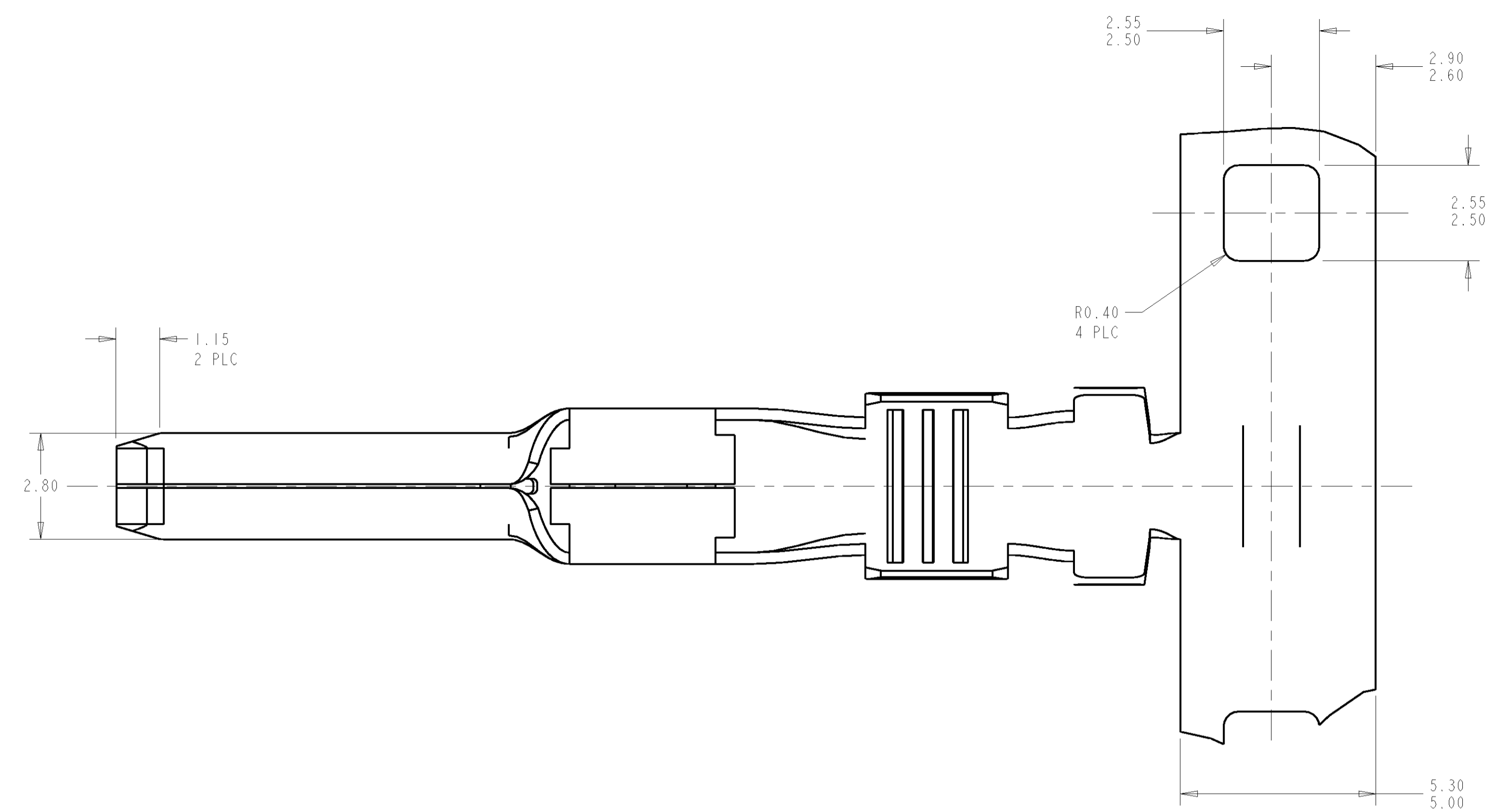
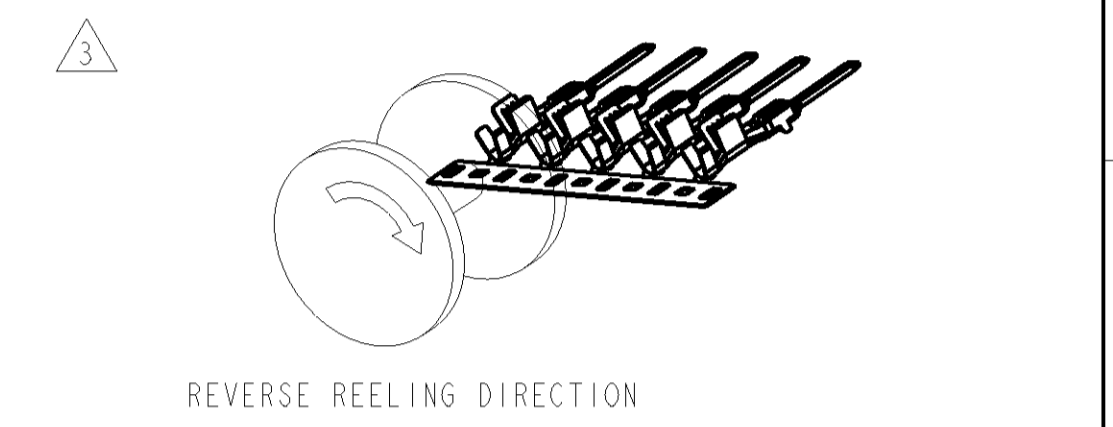
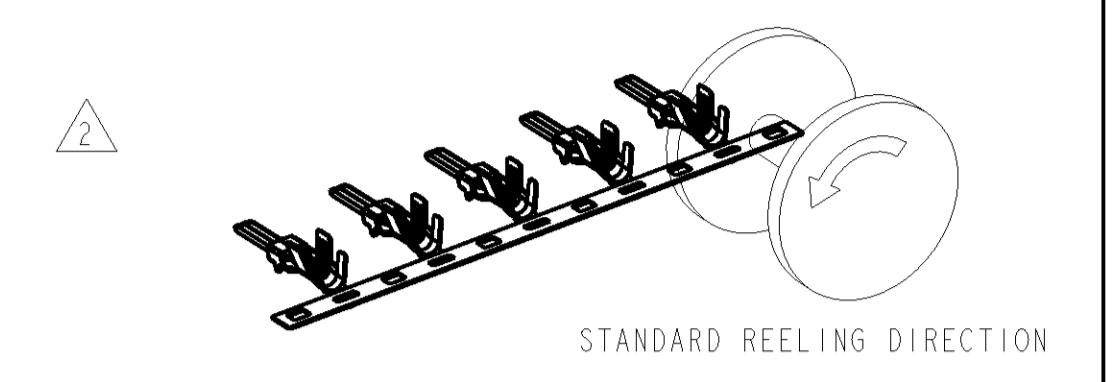


DUAL CRIMP TABLE	
PART NO	WIRE SIZE
1326029-9 AND 1-1326029-1	0.35+0.35
	0.35+0.5
	0.35+0.75
	0.35+1.0
	0.5+0.5
1-1326029-0 AND 1-1326029-2	0.5+0.75
	0.35+1.5
	0.5+1.0
	0.5+1.5
	0.75+0.75
0.75+1.0	
0.75+1.5	
1.0+1.0	
1.0+1.5	

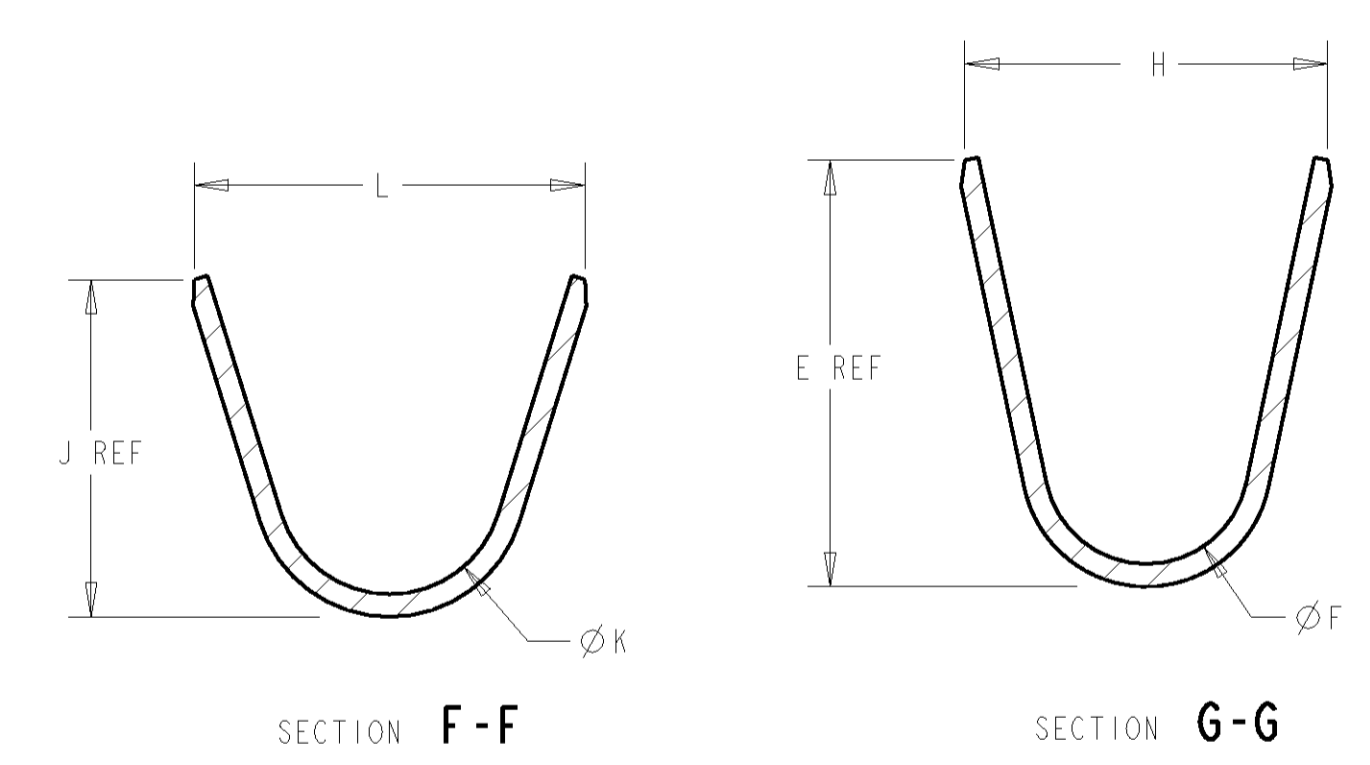


LOC	DISC	REVISIONS			
		REV	DATE	BY	APPV
GE	00	G	17NOV2005	DLD	JLT
		G1	23DEC2005	DLD	JLT

△ MATERIAL: 0.30 THICK COPPER ALLOY, PREPLATED WITH 0.0008 MINIMUM THICK MATTE TIN (ELV COMPLIANT).



5. QUALIFICATION OF THE CRIMP APPLICATION TOOLING SHALL BE CONTROLLED BY THE REQUIREMENTS ESTABLISHED UNDER USCAR 21.
 6. LOOSE END SPLICING TO BE USED.



REV	DESCRIPTION	REFERENCE DUAL CRIMP TABLE	PART NO.
3	1-1326029-0 REELED FOR AMP APPLICATOR	REFERENCE DUAL CRIMP TABLE	1-1326029-2
	1326029-9 REELED FOR AMP APPLICATOR	REFERENCE DUAL CRIMP TABLE	1-1326029-1
2	4.6 1.80 5.35 3.9 1.70 3.88	REFERENCE DUAL CRIMP TABLE	1-1326029-0
	3.6 1.40 4.32 3.3 1.30 2.76	REFERENCE DUAL CRIMP TABLE	1326029-9
3	1326029-4 REELED FOR AMP APPLICATORS	12 AWG	1326029-8
	1326029-3 REELED FOR AMP APPLICATORS	14-16 AWG	1326029-7
	1326029-2 REELED FOR AMP APPLICATORS	18-20 AWG	1326029-6
	1326029-1 REELED FOR AMP APPLICATORS	22 AWG	1326029-5
2	5.2 3.20 4.22 4.7 2.70 5.25	12 AWG	1326029-4
	3.8 1.80 3.16 3.9 1.70 3.88	14-16 AWG	1326029-3
	3.1 1.40 2.55 3.3 1.30 2.76	18-20 AWG	1326029-2
	2.6 1.00 2.04 2.5 0.90 2.11	22 AWG	1326029-1

DIMENSIONS: mm TOLERANCES UNLESS OTHERWISE SPECIFIED: 0 PLC ±0.3 1 PLC ±0.10 3 PLC ±0.10 4 PLC ±0.10 ANGLES ±0.5° FINISH		DWN D. STRAUSSER 27APR99 CHK D. BROWN 27APR99 APVD D. BROWN 27APR99 PRODUCT SPEC SAE/USCAR-2 8/97 APPLICATION SPEC 114-13013 WEIGHT CUSTOMER DRAWING		Tyco Electronics Harrisburg, PA 17105-3608 AMP 2.8mm BLADE, UNSEALED SIZE 114-13013 CAGE CODE 00779 DRAWING NO. 1326029 SCALE 10:1 SHEET 1 OF 1 REV G1	
---	--	--	--	--	--

X-ON Electronics

Largest Supplier of Electrical and Electronic Components

Click to view similar products for [Automotive Connectors](#) category:

Click to view products by [TE Connectivity](#) manufacturer:

Other Similar products are found below :

[003-018-000](#) [60403001](#) [60993906-B](#) [M902-2131](#) [M902-2161](#) [72.330.1035.1](#) [73.353.4028.0](#) [F119300-B](#) [F166900](#) [F258300-B](#) [F358300-B](#)
[F407400](#) [F444110](#) [F487000](#) [F509500B-B](#) [827153-1](#) [8N1515-32-24P](#) [9-1326729-8](#) [925474-1](#) [928905-1](#) [964562-4](#) [968782-1](#) [GT17SA-8DS-](#)
[HU](#) [98891-1012](#) [98947-1016](#) [12004147](#) [12004475-L](#) [12010290](#) [12010309-B](#) [12015454](#) [12020219-B](#) [12020308](#) [12041318-B](#) [12052225-L](#)
[12052466](#) [12059125](#) [12064869](#) [12004327-B](#) [12010503-B](#) [12015308](#) [12015384](#) [12015909](#) [1-21030-1](#) [12041254](#) [12041318](#) [12047946-B](#)
[12047957](#) [12047957-L](#) [12059473](#) [12066261](#)