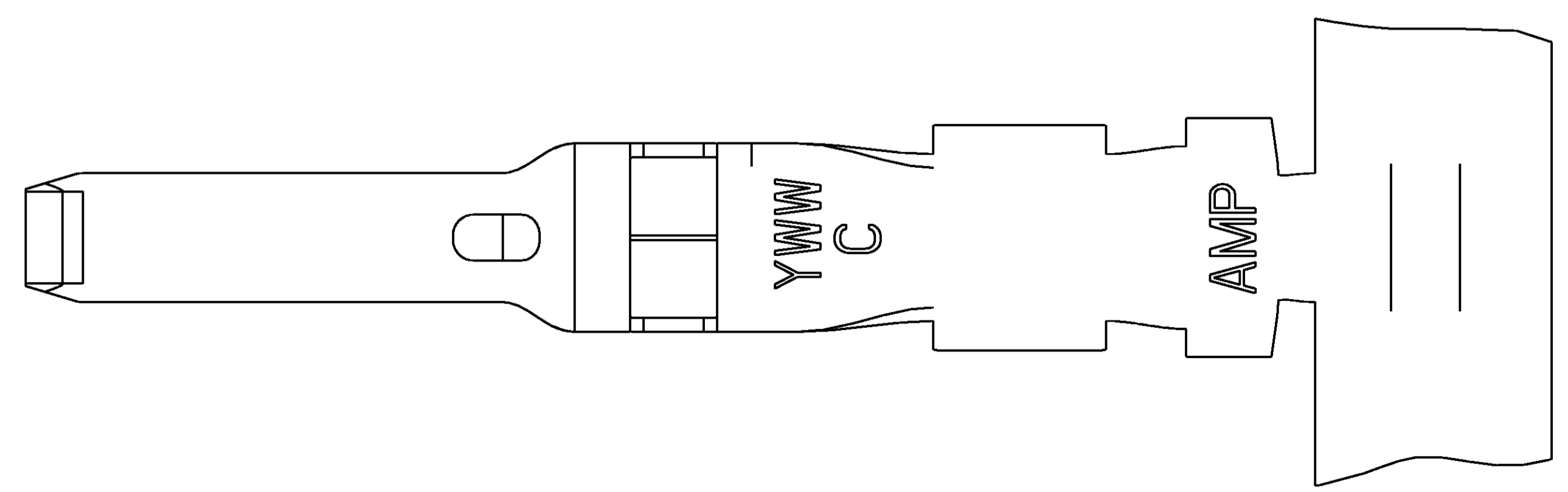
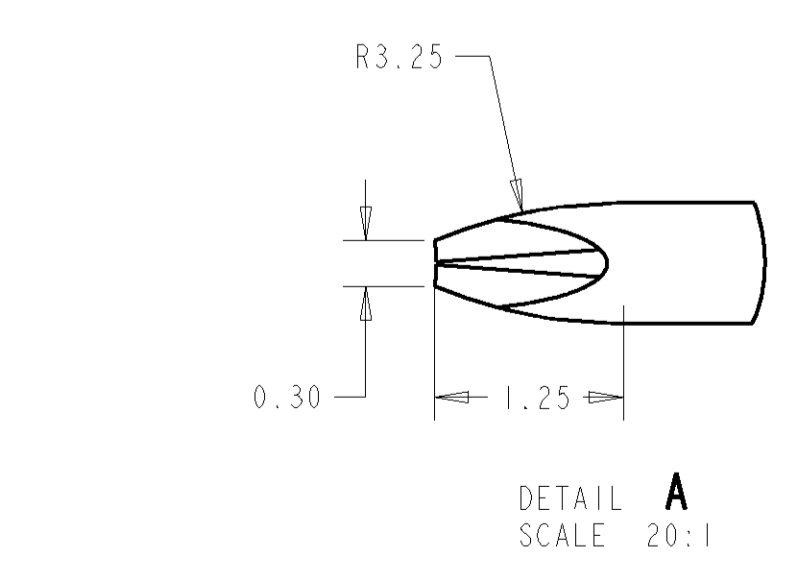
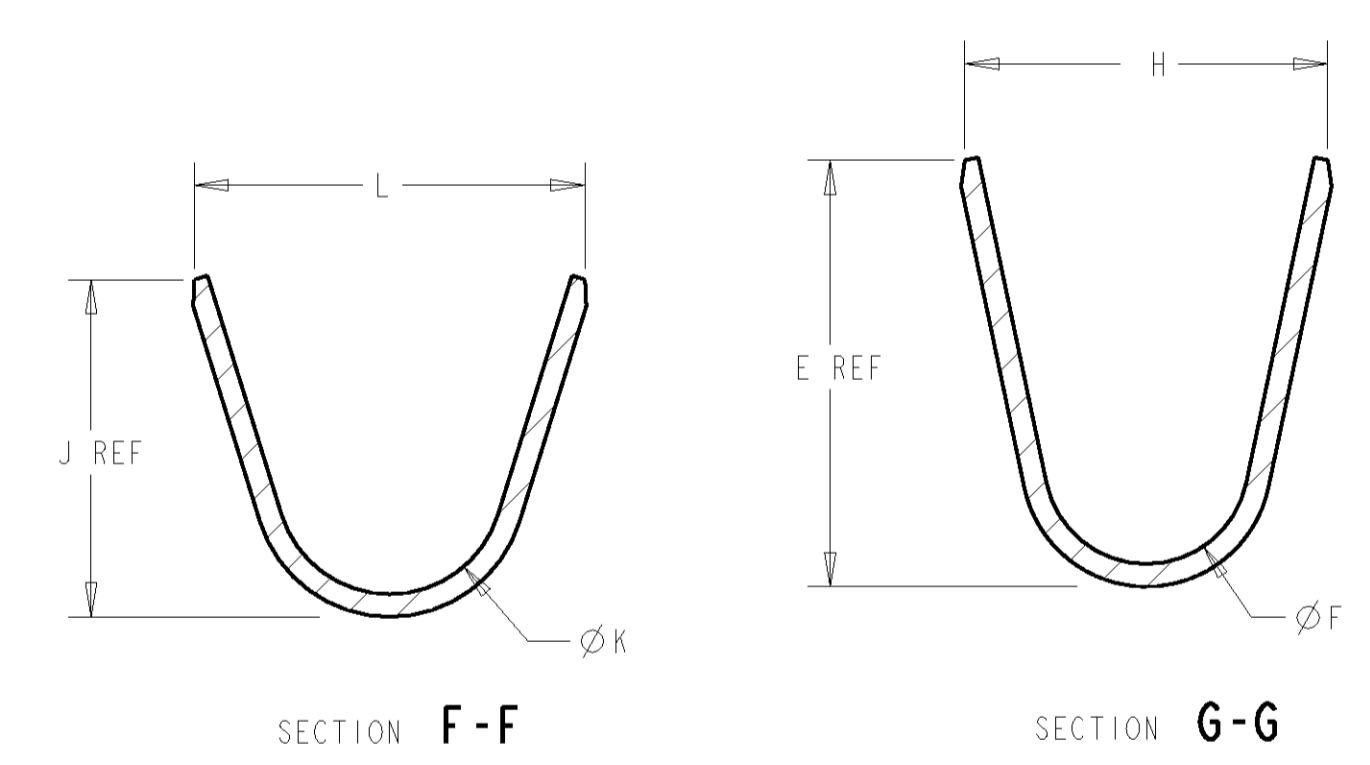
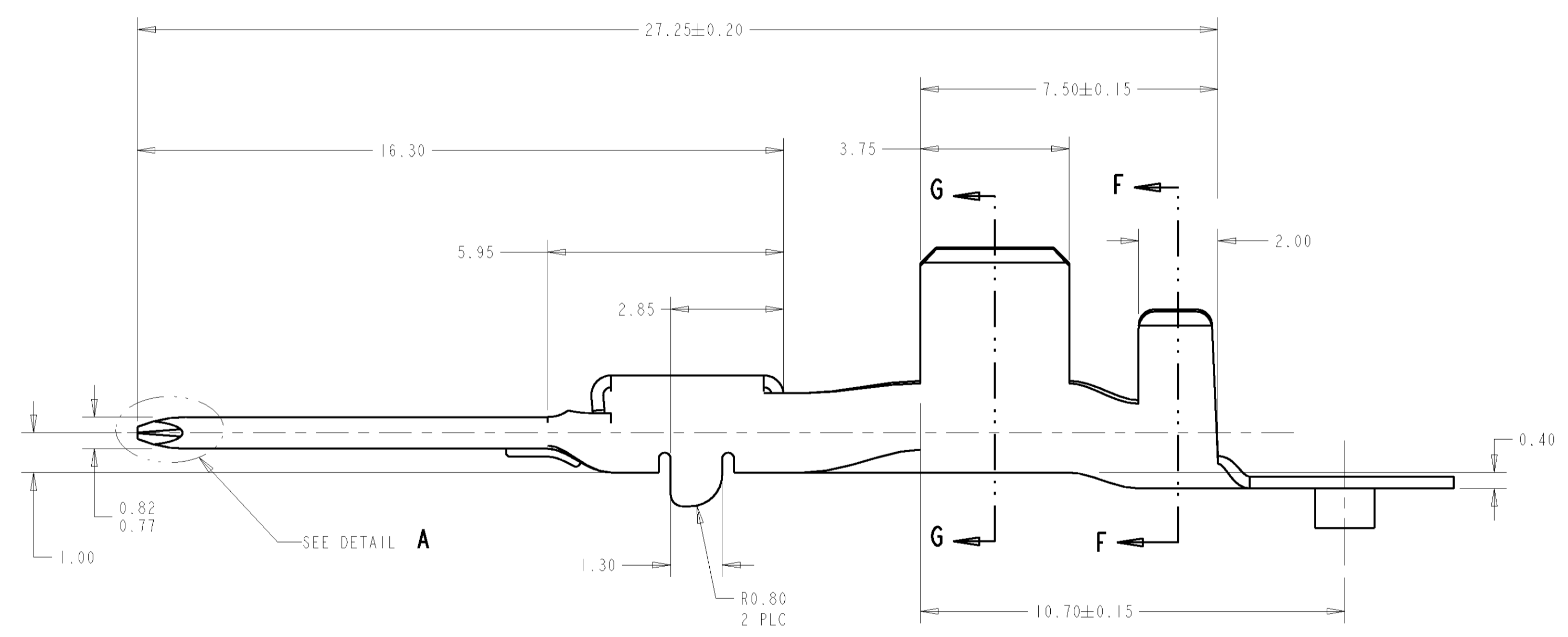
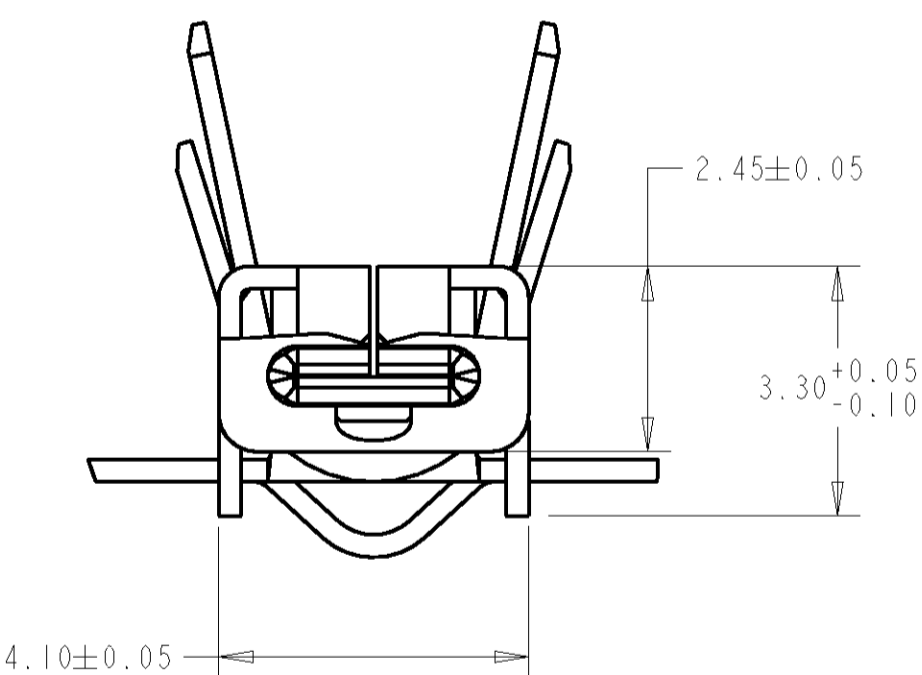
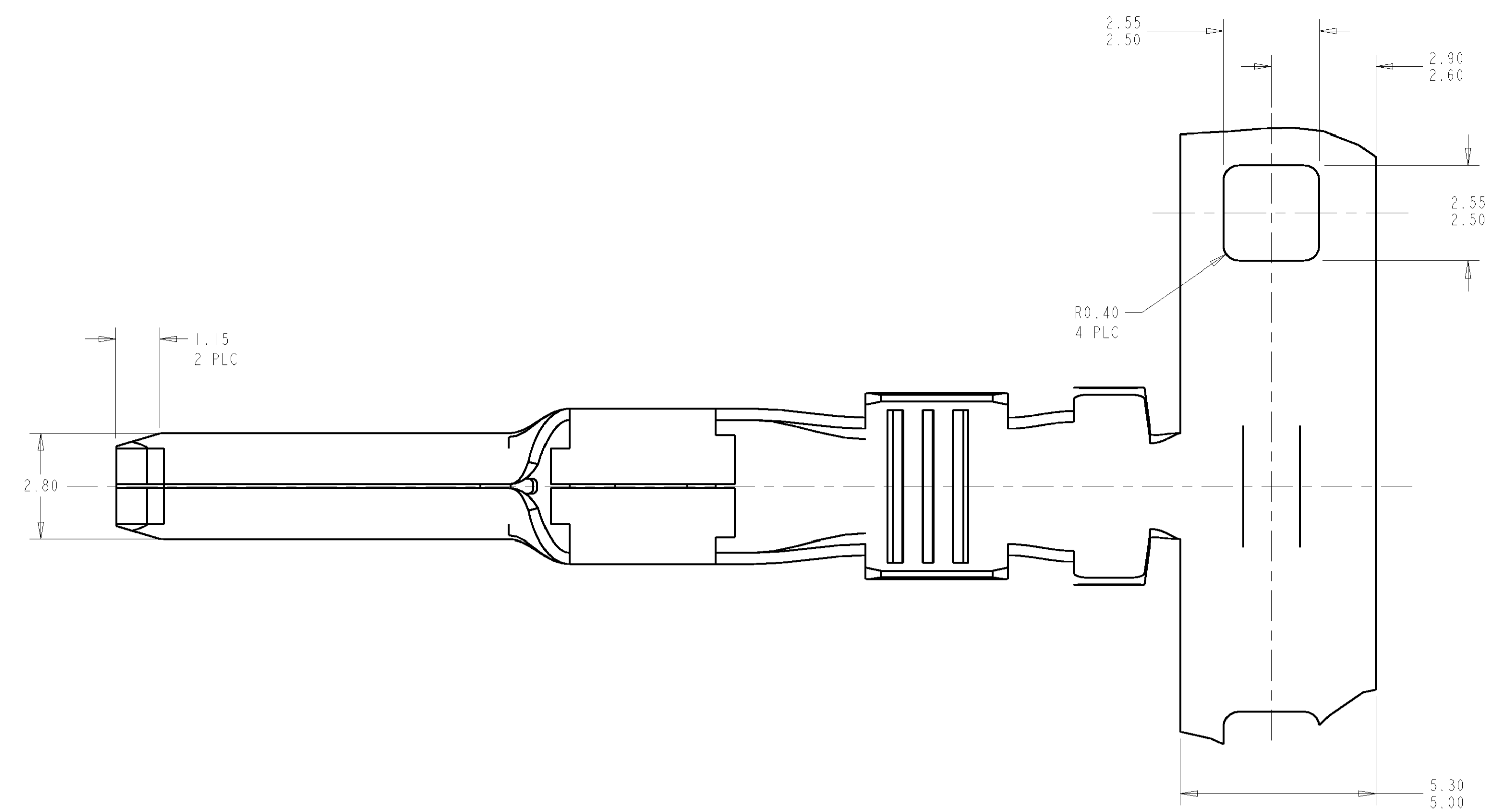
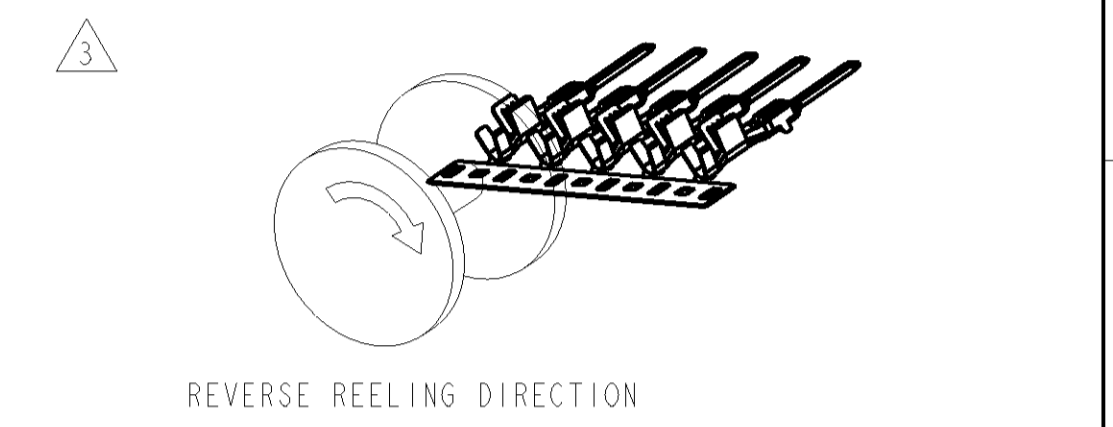
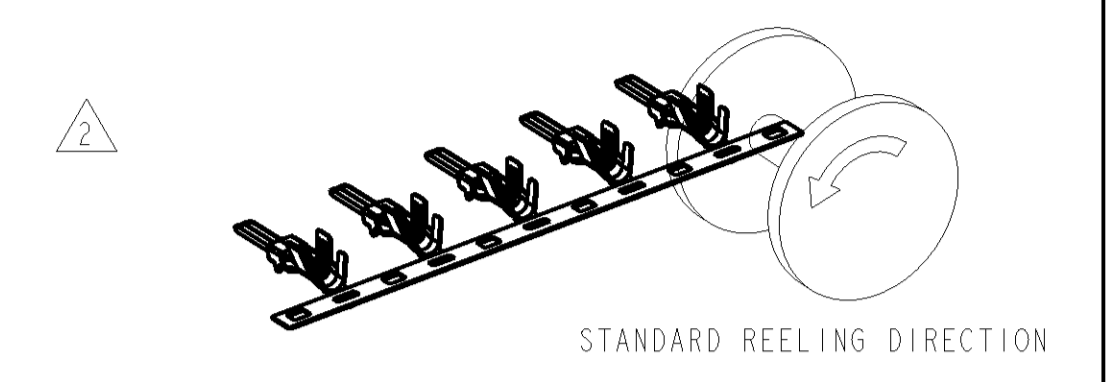


DUAL CRIMP TABLE	
PART NO	WIRE SIZE
1326029-9 AND 1-1326029-1	0.35+0.35
	0.35+0.5
	0.35+0.75
	0.35+1.0
	0.5+0.5
1-1326029-0 AND 1-1326029-2	0.5+0.75
	0.35+1.5
	0.5+1.0
	0.5+1.5
	0.75+0.75
0.75+1.0	
0.75+1.5	
1.0+1.0	
1.0+1.5	



LOC	DISC	REVISIONS			
		REV	DATE	BY	APPV
GE	00	G	17NOV2005	DLD	JLT
		G1	23DEC2005	DLD	JLT

△ MATERIAL: 0.30 THICK COPPER ALLOY, PREPLATED WITH 0.0008 MINIMUM THICK MATTE TIN (ELV COMPLIANT).



5. QUALIFICATION OF THE CRIMP APPLICATION TOOLING SHALL BE CONTROLLED BY THE REQUIREMENTS ESTABLISHED UNDER USCAR 21.
6. LOOSE END SPLICING TO BE USED.

REELING	L	ØK	J	H	ØF	E	WIRE SIZE	PART NO.	
△3	1-1326029-0 REELED FOR AMP APPLICATOR							REFERENCE DUAL CRIMP TABLE	1-1326029-2
	1326029-9 REELED FOR AMP APPLICATOR							REFERENCE DUAL CRIMP TABLE	1-1326029-1
△2	4.6	1.80	5.35	3.9	1.70	3.88	REFERENCE DUAL CRIMP TABLE	1-1326029-0	
	3.6	1.40	4.32	3.3	1.30	2.76	REFERENCE DUAL CRIMP TABLE	1326029-9	
△3	1326029-4 REELED FOR AMP APPLICATORS							12 AWG	1326029-8
	1326029-3 REELED FOR AMP APPLICATORS							14-16 AWG	1326029-7
	1326029-2 REELED FOR AMP APPLICATORS							18-20 AWG	1326029-6
	1326029-1 REELED FOR AMP APPLICATORS							22 AWG	1326029-5
△2	5.2	3.20	4.22	4.7	2.70	5.25	12 AWG	1326029-4	
	3.8	1.80	3.16	3.9	1.70	3.88	14-16 AWG	1326029-3	
	3.1	1.40	2.55	3.3	1.30	2.76	18-20 AWG	1326029-2	
	2.6	1.00	2.04	2.5	0.90	2.11	22 AWG	1326029-1	

DIMENSIONS:		TOLERANCES UNLESS OTHERWISE SPECIFIED:		DWN D. STRAUSSER 27APR99		AMP Tyco Electronics	
mm	0 PLC ±0.3	1 PLC ±0.10	3 PLC ±0.10	4 PLC ±0.10	ANGLES ±0.5°	Harrisburg, PA 17105-3608	
MATERIAL		FINISH		CHK D. BROWN 27APR99		NAME	
APVD D. BROWN 27APR99		PRODUCT SPEC SAE/USCAR-2 8/97		APPLICATION SPEC		SIZE CAGE CODE DRAWING NO	
114-13013		114-13013		00779		C=1326029	
CUSTOMER DRAWING		SCALE 10:1		SHEET 1 OF 1		REV G	

X-ON Electronics

Largest Supplier of Electrical and Electronic Components

Click to view similar products for [Automotive Connectors](#) category:

Click to view products by [TE Connectivity](#) manufacturer:

Other Similar products are found below :

[003-018-000](#) [60403001](#) [60993906-B](#) [M902-2131](#) [M902-2161](#) [72.330.1035.1](#) [73.353.4028.0](#) [F119300-B](#) [F166900](#) [F258300-B](#) [F358300-B](#)
[F407400](#) [F444110](#) [F487000](#) [F509500B-B](#) [827153-1](#) [8N1515-32-24P](#) [9-1326729-8](#) [925474-1](#) [928905-1](#) [964562-4](#) [968782-1](#) [GT17SA-8DS-](#)
[HU](#) [98891-1012](#) [98947-1016](#) [12004147](#) [12004475-L](#) [12010290](#) [12010309-B](#) [12015454](#) [12020219-B](#) [12020308](#) [12041318-B](#) [12052225-L](#)
[12052466](#) [12059125](#) [12064869](#) [12004327-B](#) [12010503-B](#) [12015308](#) [12015384](#) [12015909](#) [1-21030-1](#) [12041254](#) [12041318](#) [12047946-B](#)
[12047957](#) [12047957-L](#) [12059473](#) [12066261](#)