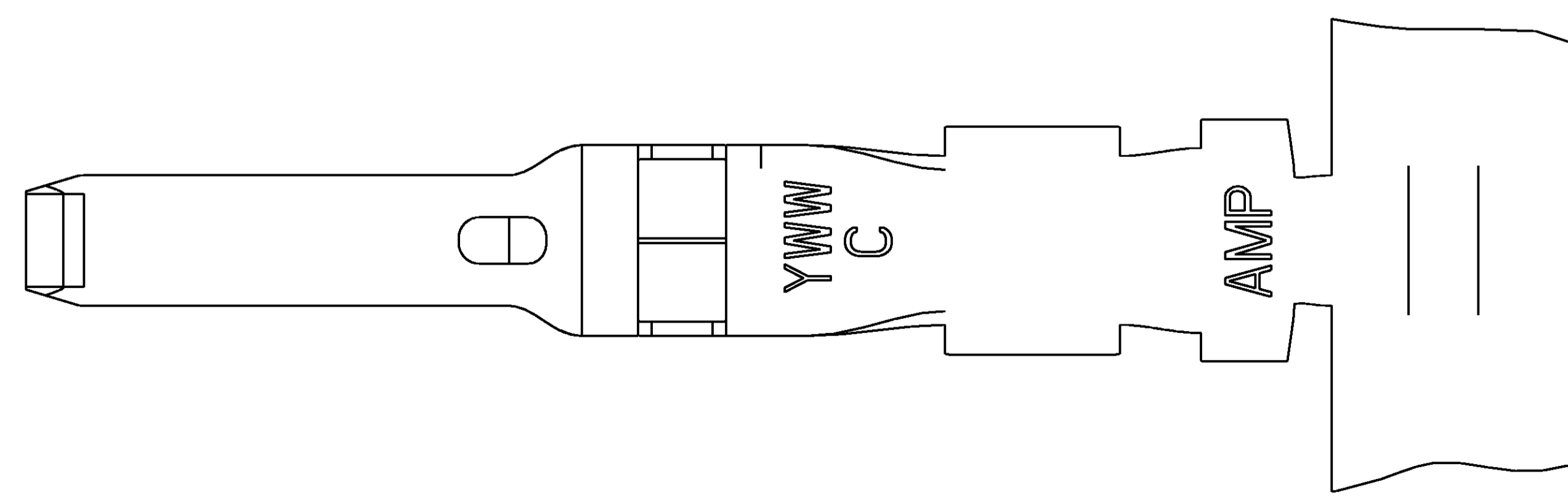
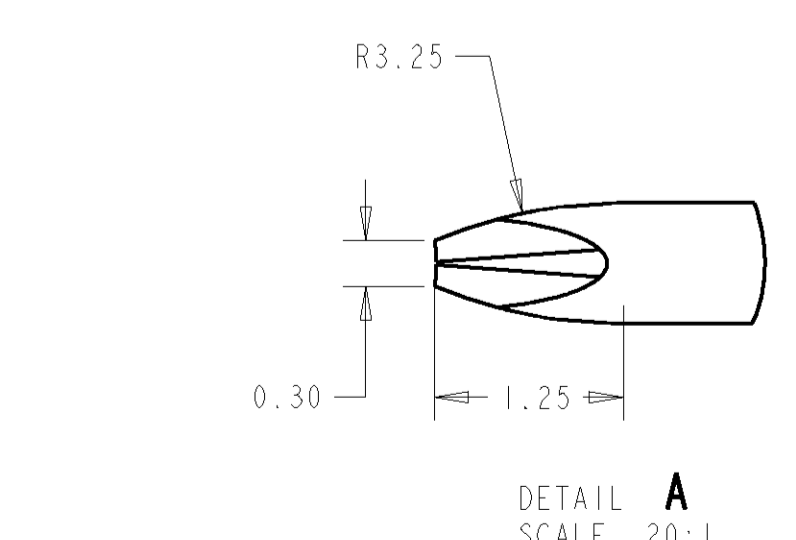
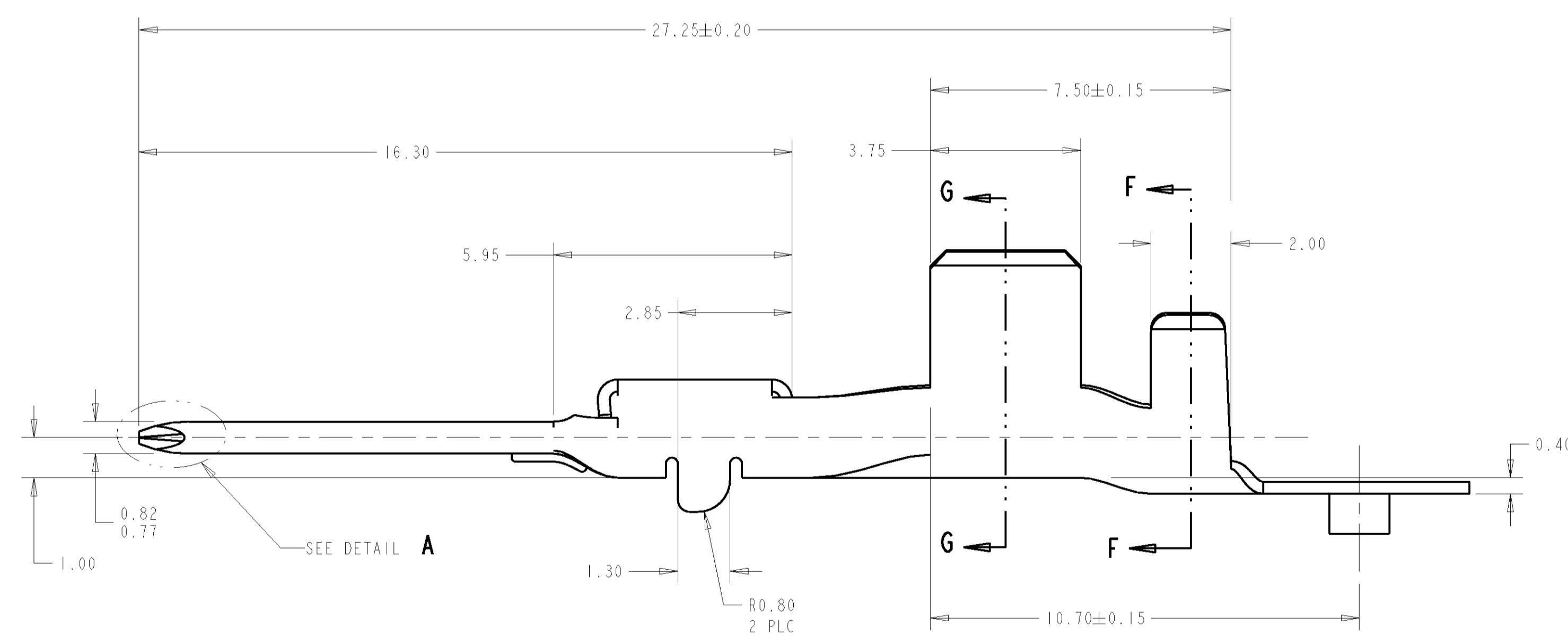
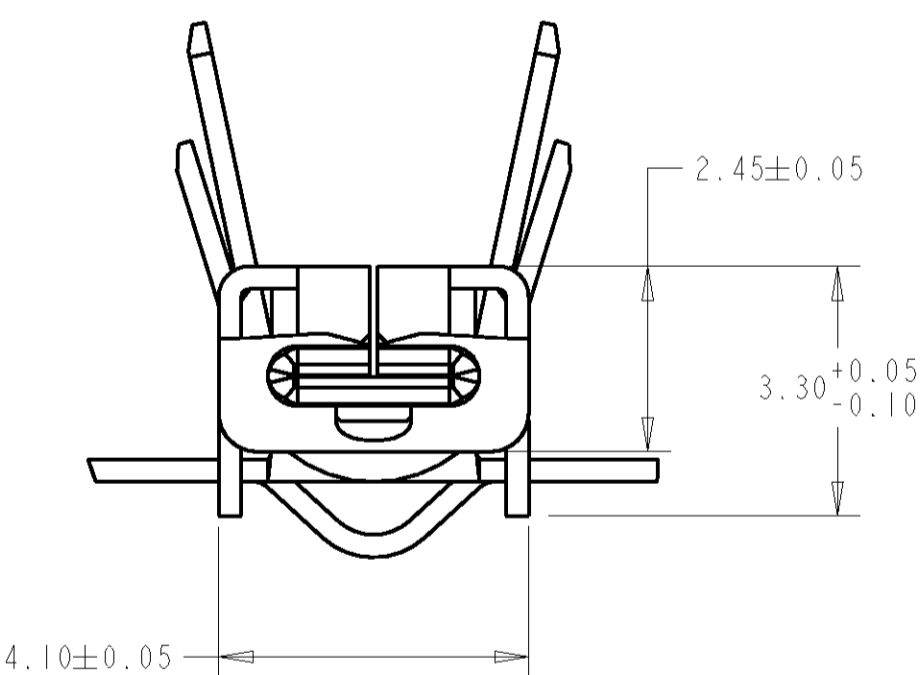
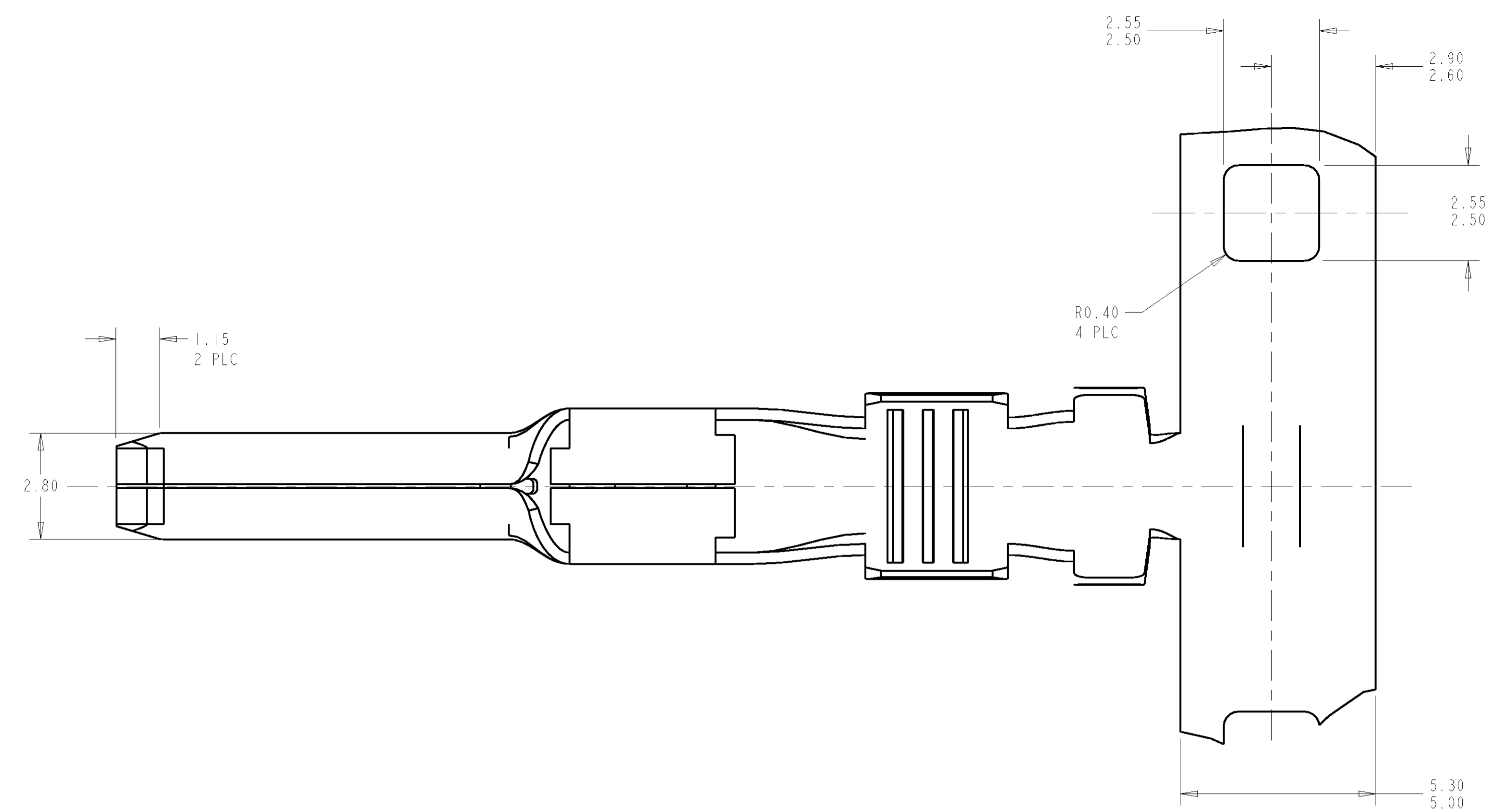
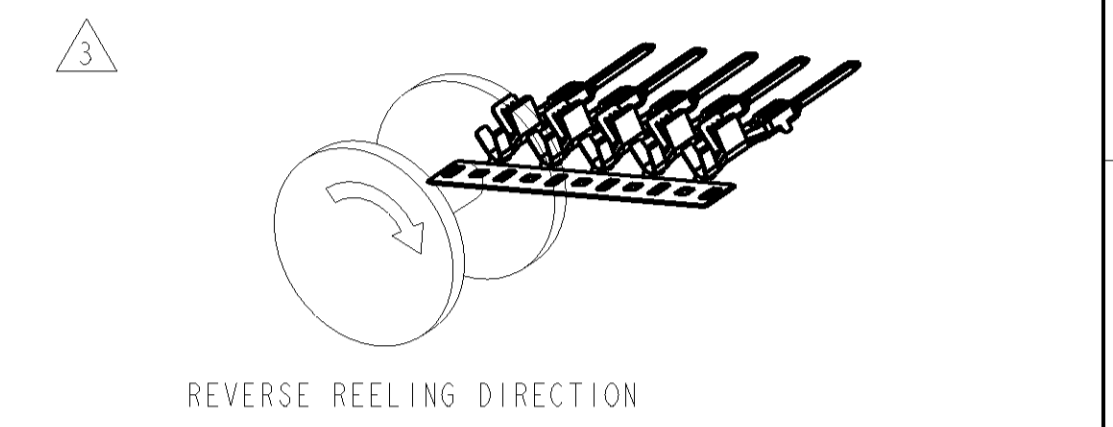
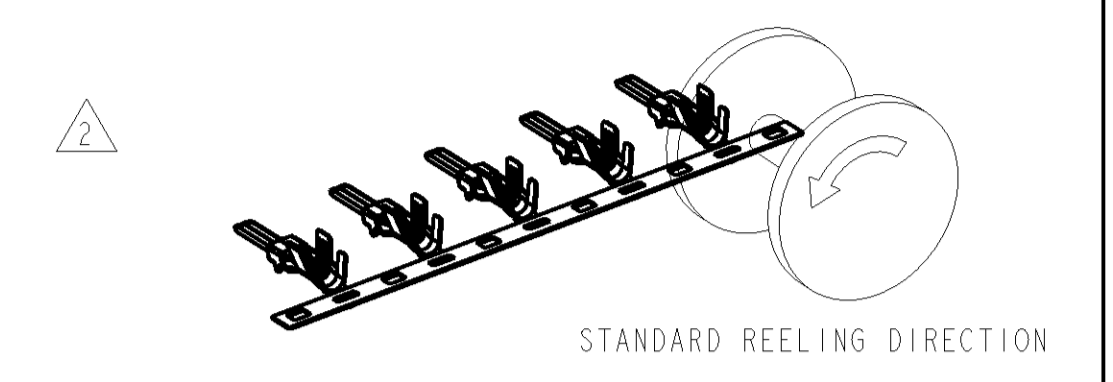


DUAL CRIMP TABLE	
PART NO	WIRE SIZE
1326029-9 AND 1-1326029-1	0.35+0.35
	0.35+0.5
	0.35+0.75
	0.35+1.0
	0.5+0.5
1-1326029-0 AND 1-1326029-2	0.5+0.75
	0.35+1.5
	0.5+1.0
	0.5+1.5
	0.75+0.75
0.75+1.0	
0.75+1.5	
1.0+1.0	
1.0+1.5	

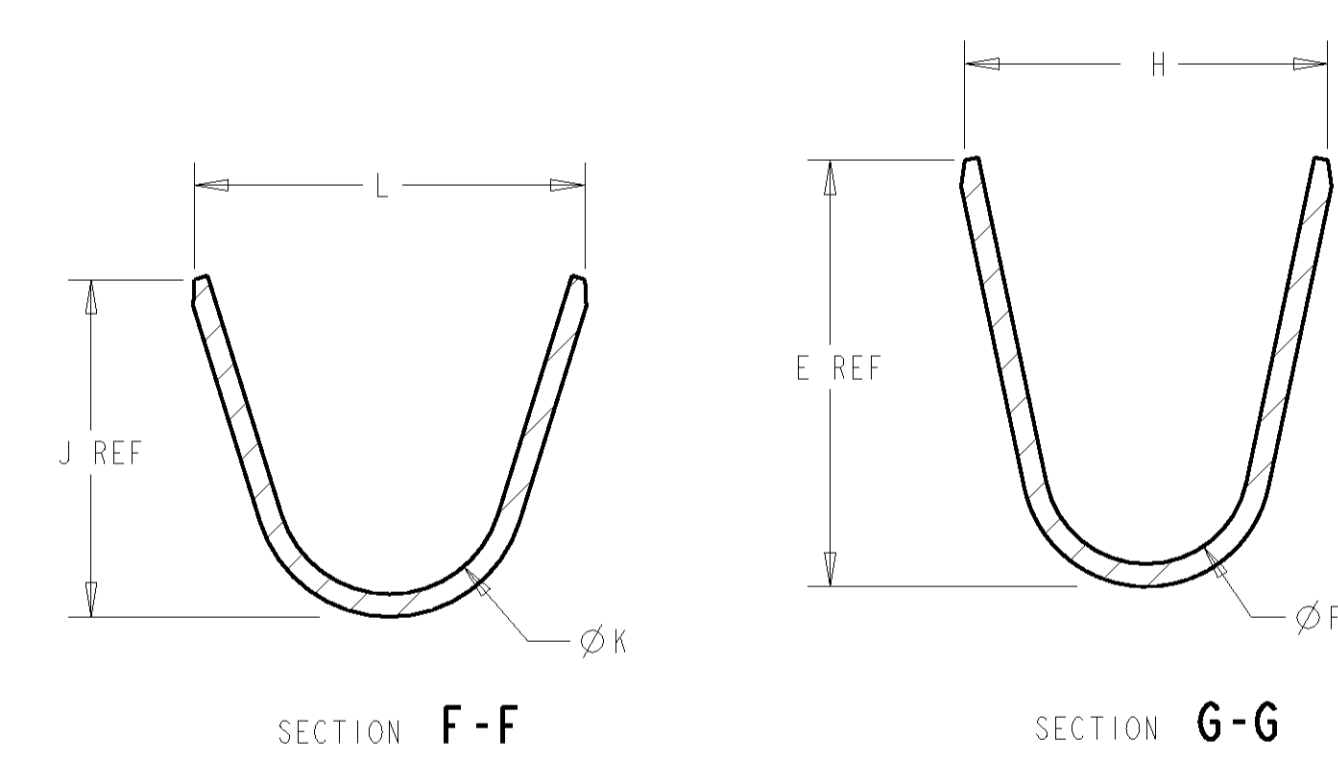


LOC	DISC	REVISIONS			
		REV	DATE	BY	APPV
GE	00	G	17NOV2005	DLD	JLT
		G1	23DEC2005	DLD	JLT

△ MATERIAL: 0.30 THICK COPPER ALLOY, PREPLATED WITH 0.0008 MINIMUM THICK MATTE TIN (ELV COMPLIANT).



5. QUALIFICATION OF THE CRIMP APPLICATION TOOLING SHALL BE CONTROLLED BY THE REQUIREMENTS ESTABLISHED UNDER USCAR 21.
 6. LOOSE END SPLICING TO BE USED.



REELING	L	ØK	J	H	ØF	E	WIRE SIZE	PART NO.
△3	1-1326029-0 REELED FOR AMP APPLICATOR						REFERENCE DUAL CRIMP TABLE	1-1326029-2
	1326029-9 REELED FOR AMP APPLICATOR						REFERENCE DUAL CRIMP TABLE	1-1326029-1
△2	4.6	1.80	5.35	3.9	1.70	3.88	REFERENCE DUAL CRIMP TABLE	1-1326029-0
	3.6	1.40	4.32	3.3	1.30	2.76	REFERENCE DUAL CRIMP TABLE	1326029-9
△3	1326029-4 REELED FOR AMP APPLICATORS						12 AWG	1326029-8
	1326029-3 REELED FOR AMP APPLICATORS						14-16 AWG	1326029-7
	1326029-2 REELED FOR AMP APPLICATORS						18-20 AWG	1326029-6
	1326029-1 REELED FOR AMP APPLICATORS						22 AWG	1326029-5
△2	5.2	3.20	4.22	4.7	2.70	5.25	12 AWG	1326029-4
	3.8	1.80	3.16	3.9	1.70	3.88	14-16 AWG	1326029-3
	3.1	1.40	2.55	3.3	1.30	2.76	18-20 AWG	1326029-2
	2.6	1.00	2.04	2.5	0.90	2.11	22 AWG	1326029-1

DIMENSIONS:		TOLERANCES UNLESS OTHERWISE SPECIFIED:		DWN D. STRAUSSER 27APR99		CHK D. BROWN 27APR99		APVD D. BROWN 27APR99		NAME	
mm	0 PLC ±0.3	1 PLC ±0.10	3 PLC ±0.10	4 PLC ±0.10	PRODUCT SPEC SAE/USCAR-2 8/97		APPLICATION SPEC		AMP Tyco Electronics Harrisburg, PA 17105-3608		
	ANGLES ±0.5°	FINISH			SIZE 114-13013		WEIGHT		RESTRICTED TO		
MATERIAL	FINISH				CAGE CODE DRAWING NO 00779		SCALE 10:1		SHEET 1 OF 1		
CUSTOMER DRAWING				DRAWING NO 1326029		REV G1					

X-ON Electronics

Largest Supplier of Electrical and Electronic Components

Click to view similar products for [Automotive Connectors](#) category:

Click to view products by [TE Connectivity](#) manufacturer:

Other Similar products are found below :

[003-018-000](#) [60403001](#) [60993906-B](#) [M902-2131](#) [M902-2161](#) [72.330.1035.1](#) [73.353.4028.0](#) [F119300-B](#) [F166900](#) [F258300-B](#) [F358300-B](#)
[F407400](#) [F444110](#) [F487000](#) [F509500B-B](#) [827153-1](#) [8N1515-32-24P](#) [9-1326729-8](#) [925474-1](#) [928905-1](#) [964562-4](#) [968782-1](#) [GT17SA-8DS-](#)
[HU](#) [98891-1012](#) [98947-1016](#) [12004147](#) [12004475-L](#) [12010290](#) [12010309-B](#) [12015454](#) [12020219-B](#) [12020308](#) [12041318-B](#) [12052225-L](#)
[12052466](#) [12059125](#) [12064869](#) [12004327-B](#) [12010503-B](#) [12015308](#) [12015384](#) [12015909](#) [1-21030-1](#) [12041254](#) [12041318](#) [12047946-B](#)
[12047957](#) [12047957-L](#) [12059473](#) [12066261](#)