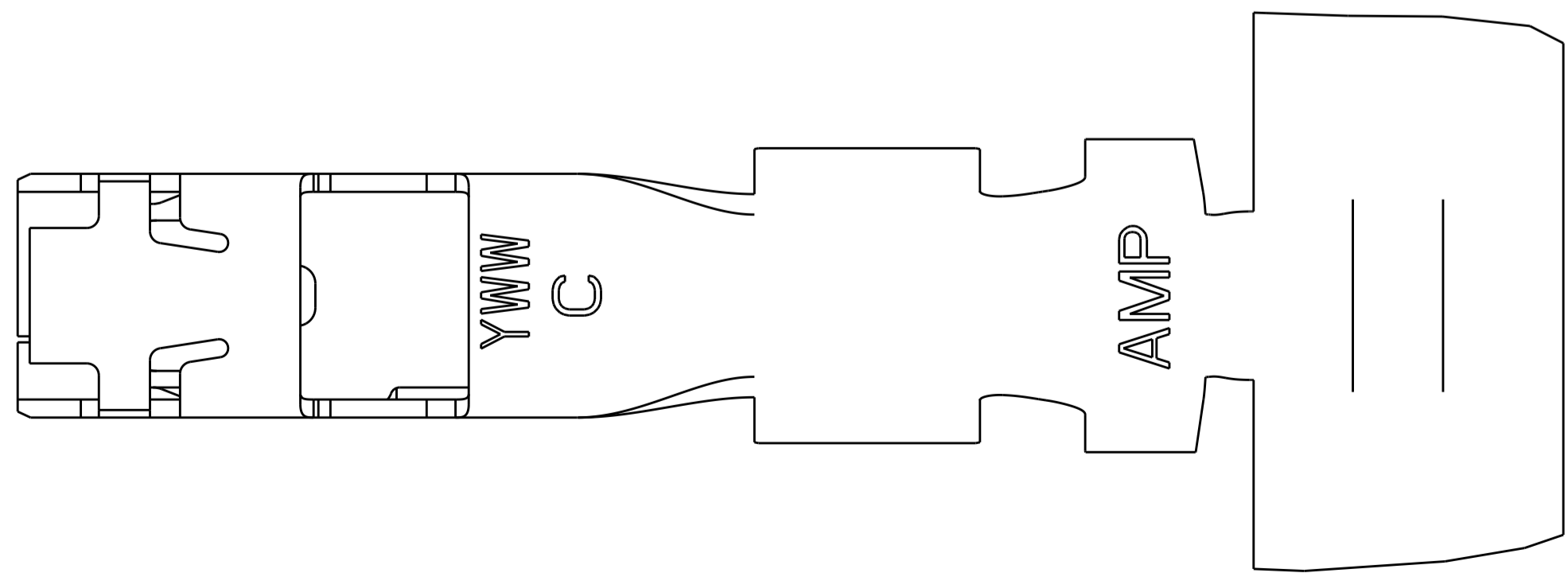
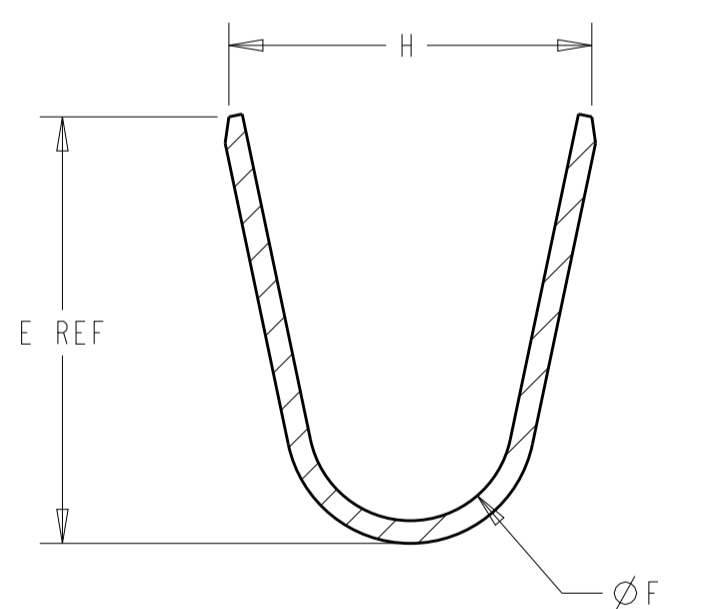
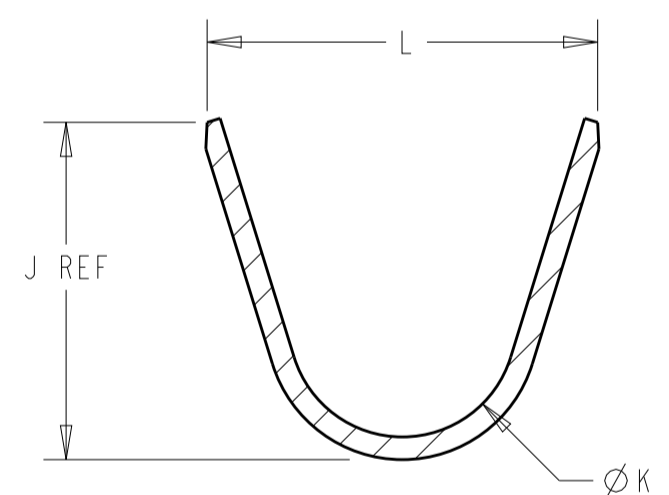
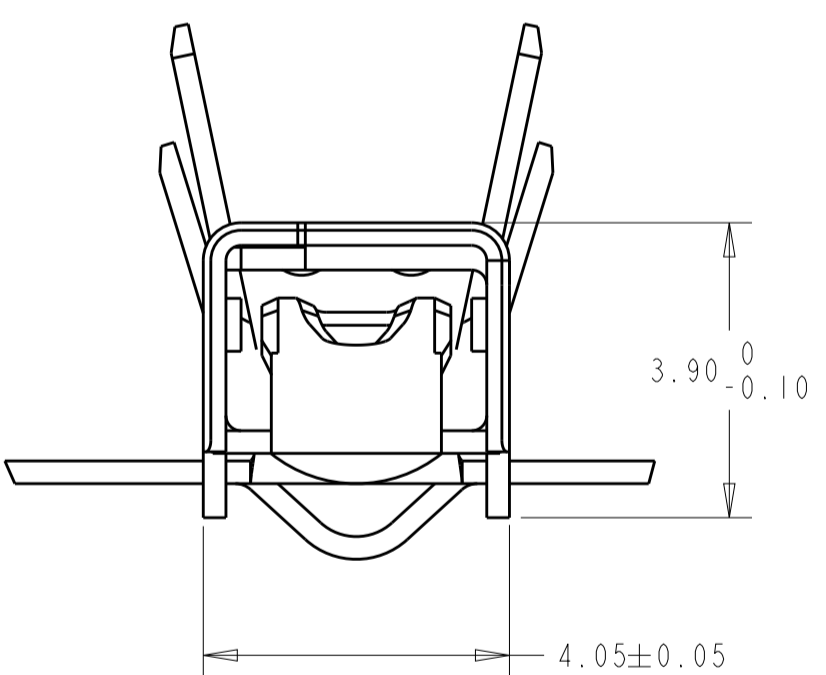
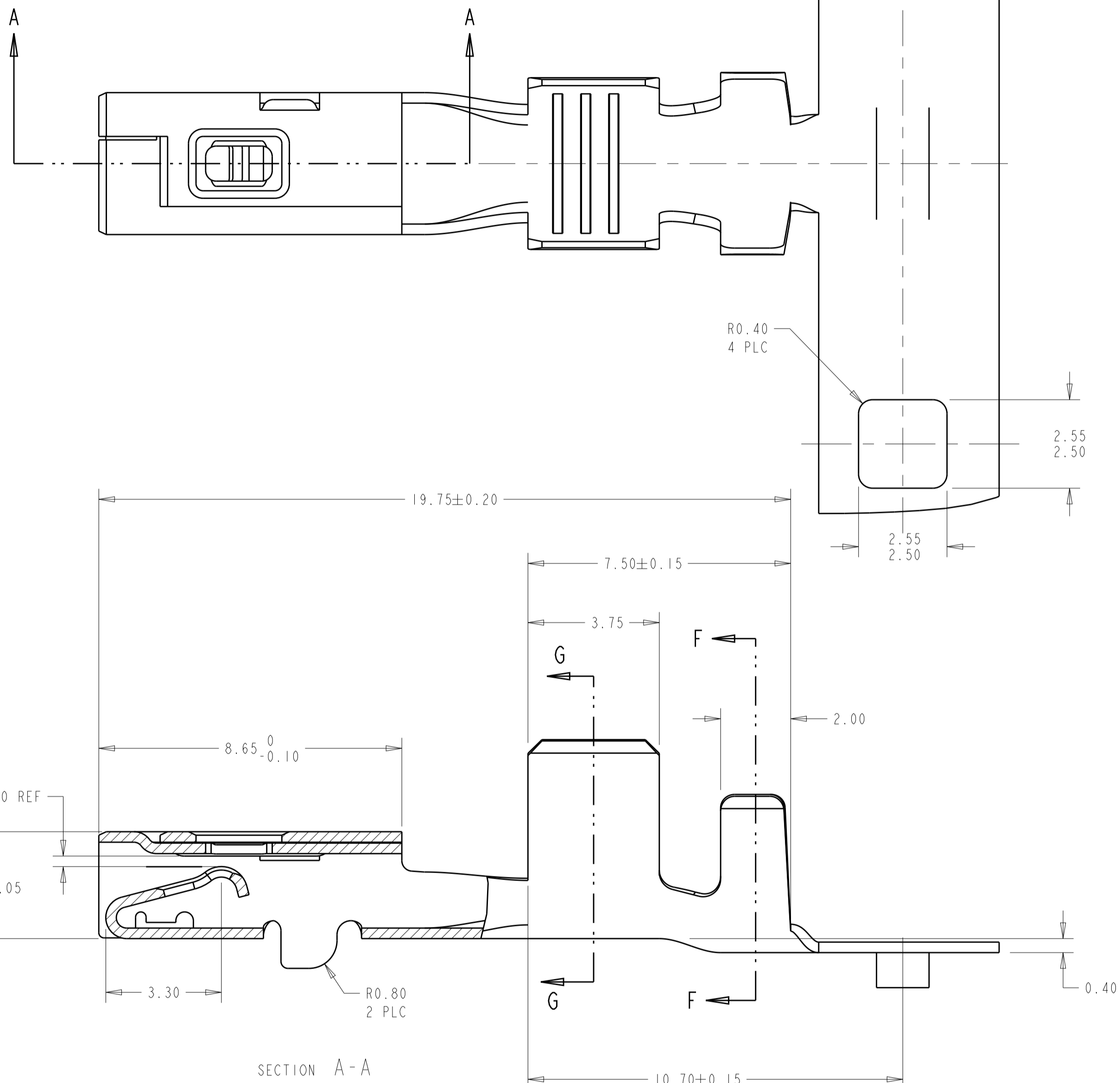
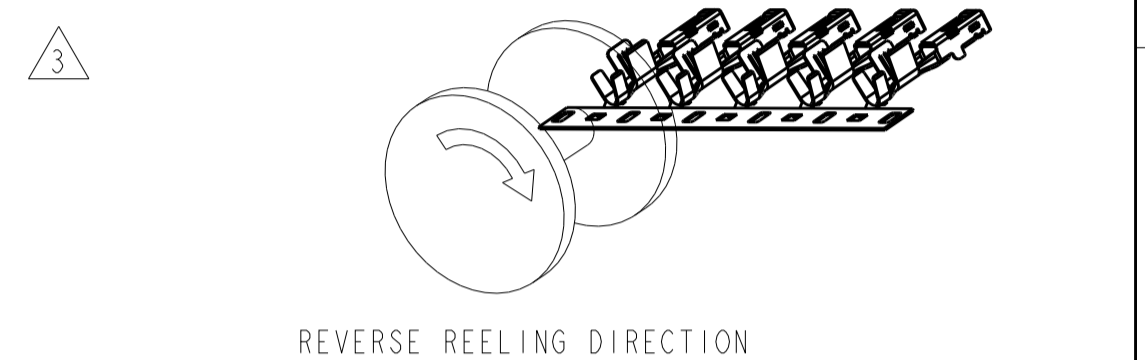
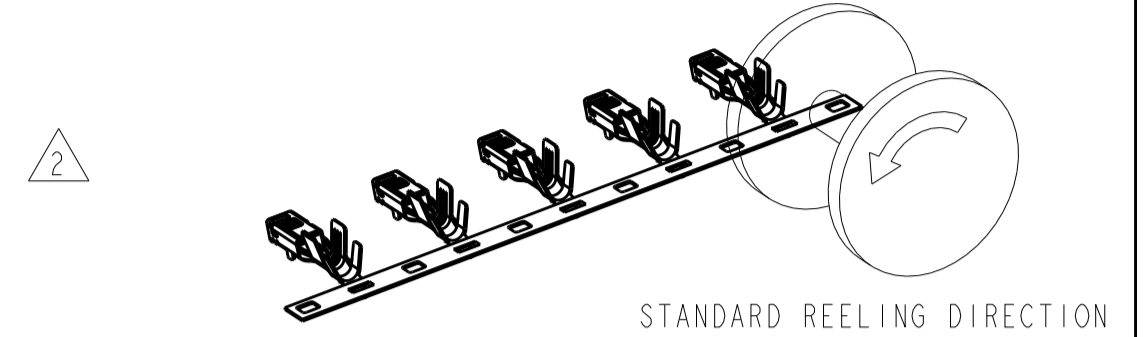


| DUAL CRIMP TABLE | |
|-----------------------------------|-----------|
| PART NO | WIRE SIZE |
| 1326030-9 AND 1-1326030-1 | 0.35+0.35 |
| | 0.35+0.5 |
| | 0.35+0.75 |
| | 0.35+1.0 |
| | 0.5+0.5 |
| 1-1326030-0 AND 1-1326030-2 | 0.5+0.75 |
| | 0.35+1.5 |
| | 0.5+1.0 |
| | 0.5+1.5 |
| | 0.75+0.75 |
| | 0.75+1.0 |
| | 0.75+1.5 |
| | 1.0+1.0 |
| | 1.0+1.5 |

| REVISIONS | | | | |
|-----------|-----|---------------------------|-----------|----------|
| P. | LTN | DESCRIPTION | DATE | OWN APVD |
| H2 | | REVISED PER ECO-11-005030 | 26APR2011 | RK HMR |
| H3 | | REVISED PER ECO-15-012018 | 19AUG2015 | DLD SLM |



△ MATERIAL: 0.30 THICK COPPER ALLOY, PREPLATED WITH 0.0008 MINIMUM THICK REFLOW TIN OR BRIGHT TIN (ELV COMPLIANT).
 ALTERNATE MATERIAL: 0.30 THICK COPPER ALLOY, PREPLATED WITH 0.0008 MINIMUM THICK BRIGHT TIN (ELV COMPLIANT).



5. QUALIFICATION OF THE CRIMP APPLICATION TOOLING SHALL BE CONTROLLED BY THE REQUIREMENTS ESTABLISHED UNDER USCAR 21.
 6. LOOSE END SPLICING TO BE USED.

| REELING | L | ØK | J | H | ØF | E | WIRE SIZE | PART NUMBER |
|---------|---------------------------------------|------|------|-----|------|------|----------------------------|-------------|
| 3 | 1-1326030-0 REELED FOR AMP APPLICATOR | | | | | | REFERENCE DUAL CRIMP TABLE | 1-1326030-2 |
| | 1326030-9 REELED FOR AMP APPLICATOR | | | | | | REFERENCE DUAL CRIMP TABLE | 1-1326030-1 |
| 2 | 4.6 | 1.80 | 5.35 | 3.9 | 1.70 | 3.88 | REFERENCE DUAL CRIMP TABLE | 1-1326030-0 |
| | 3.6 | 1.40 | 4.32 | 3.3 | 1.30 | 2.76 | REFERENCE DUAL CRIMP TABLE | 1326030-9 |
| 3 | 1326030-4 REELED FOR AMP APPLICATORS | | | | | | 12 AWG | 1326030-8 |
| | 1326030-3 REELED FOR AMP APPLICATORS | | | | | | 14-16 AWG | 1326030-7 |
| | 1326030-2 REELED FOR AMP APPLICATORS | | | | | | 18-20 AWG | 1326030-6 |
| | 1326030-1 REELED FOR AMP APPLICATORS | | | | | | 22 AWG | 1326030-5 |
| 2 | 5.2 | 3.20 | 4.22 | 4.7 | 2.70 | 5.25 | 12 AWG | 1326030-4 |
| | 3.8 | 1.80 | 3.16 | 3.9 | 1.70 | 3.88 | 14-16 AWG | 1326030-3 |
| | 3.1 | 1.40 | 2.55 | 3.3 | 1.30 | 2.76 | 18-20 AWG | 1326030-2 |
| | 2.6 | 1.00 | 2.04 | 2.5 | 0.90 | 2.11 | 22 AWG | 1326030-1 |

THIS DRAWING IS A CONTROLLED DOCUMENT. DWN: D. STRAUSSER 28APR99, CHK: D. BROWN 28APR99, APVD: D. BROWN 28APR99

TE Connectivity

RECEPTACLE, 2.8mm, UNSEALED

SAE/USCAR-2 8/97

114-13013

00779 ©=1326030

SCALE 10:1 SHEET 1 OF 1 REV H3

X-ON Electronics

Largest Supplier of Electrical and Electronic Components

Click to view similar products for [Automotive Connectors](#) category:

Click to view products by [TE Connectivity](#) manufacturer:

Other Similar products are found below :

[003-018-000](#) [60403001](#) [60993906-B](#) [M902-2131](#) [M902-2161](#) [M902-2344](#) [72.330.1035.1](#) [73.353.4028.0](#) [F119300-B](#) [F166900](#) [F258300-B](#)
[F358300-B](#) [F407400](#) [F444110](#) [F487000](#) [F509500B-B](#) [827153-1](#) [8N1515-32-24P](#) [9-1326729-8](#) [925474-1](#) [928905-1](#) [964562-4](#) [968782-1](#)
[GT17SA-8DS-HU](#) [98891-1012](#) [98947-1016](#) [12004147](#) [12004475-L](#) [12010290](#) [12010309-B](#) [12015454](#) [12020219-B](#) [12041318-B](#) [12052225-](#)
[L](#) [12052466](#) [12064869](#) [12004327-B](#) [12015308](#) [12015384](#) [12015909](#) [1-21030-1](#) [12041254](#) [12041318](#) [12047946-B](#) [12047957](#) [12047957-L](#)
[12059473](#) [12066261](#) [12110546](#) [12110546-B](#)