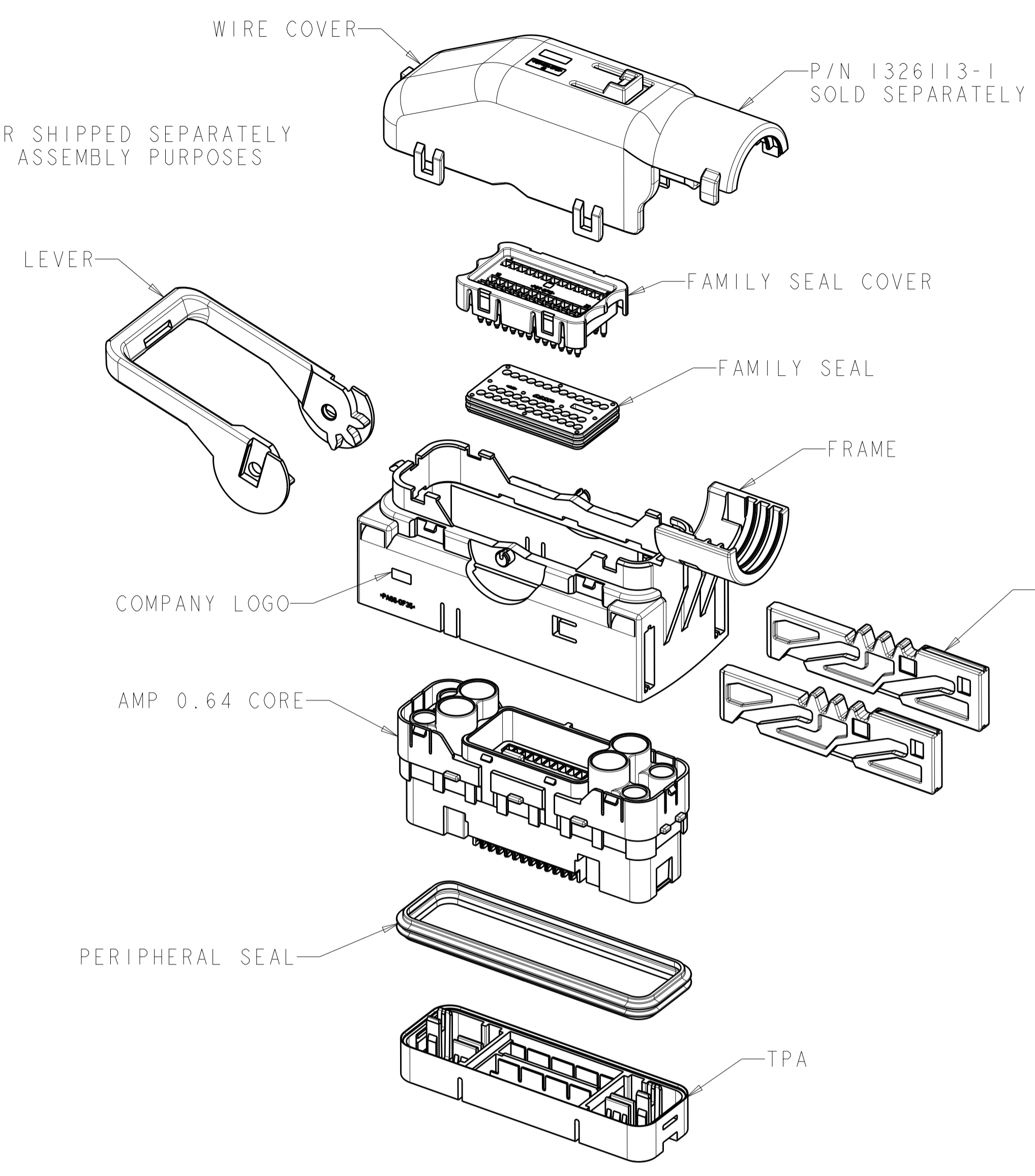
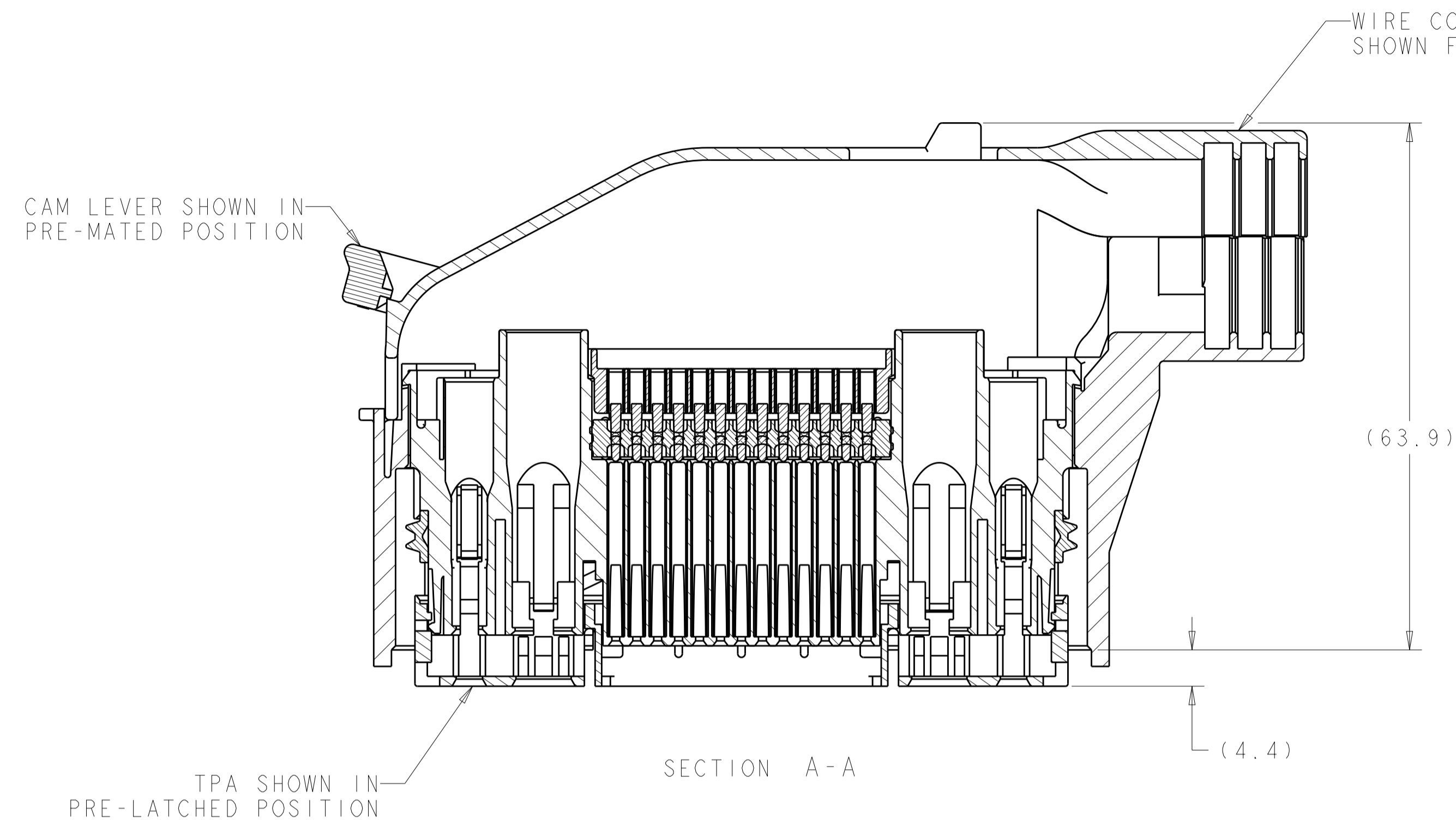
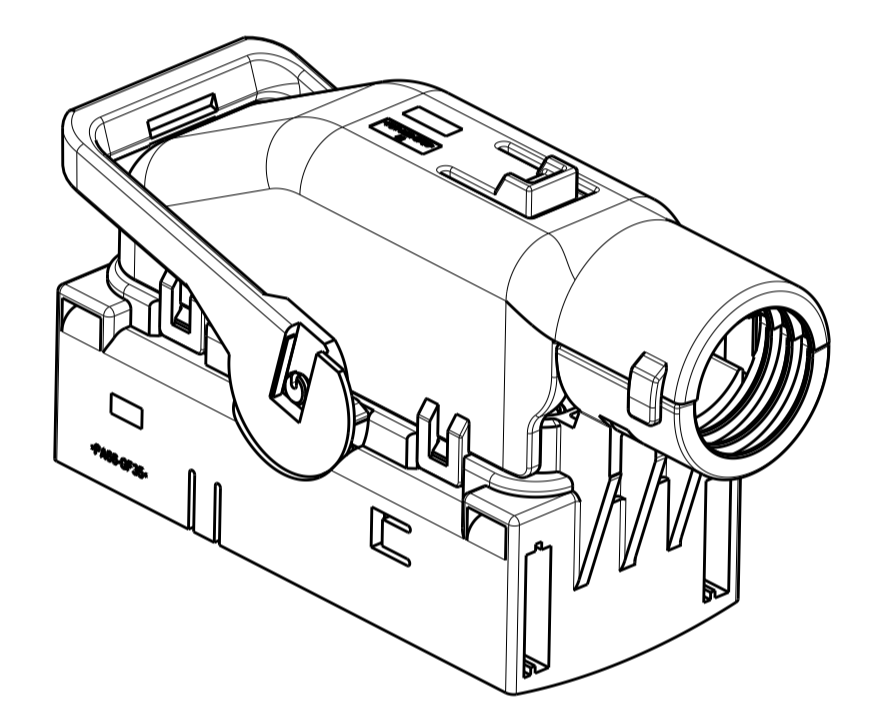


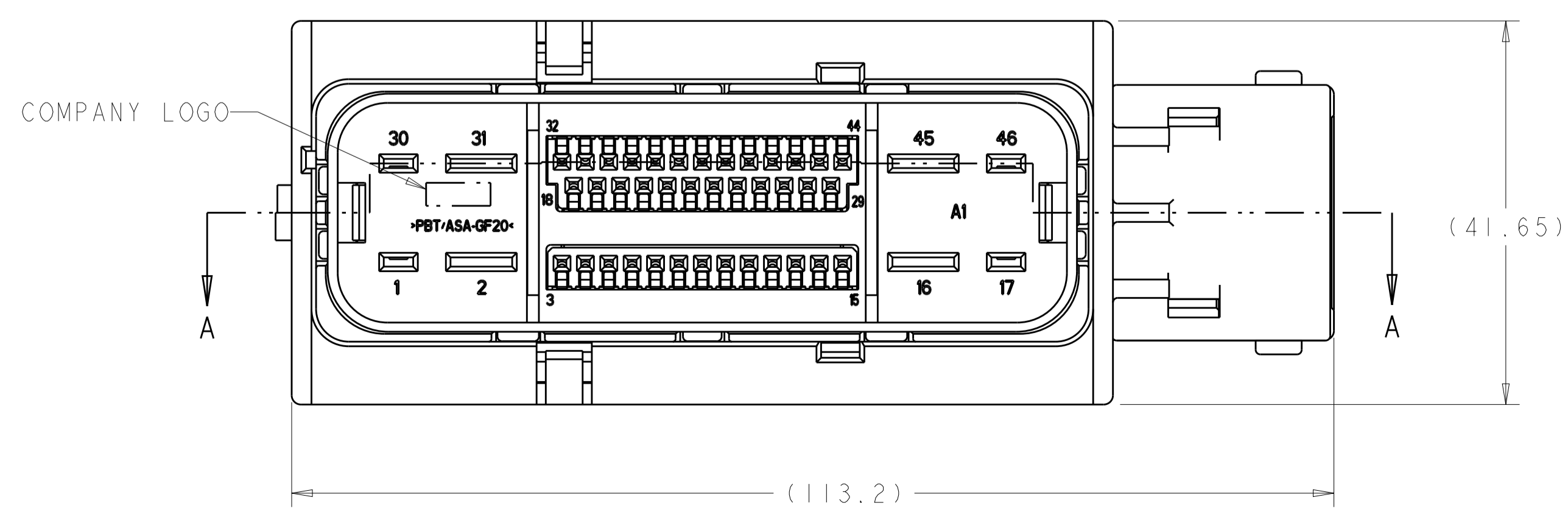
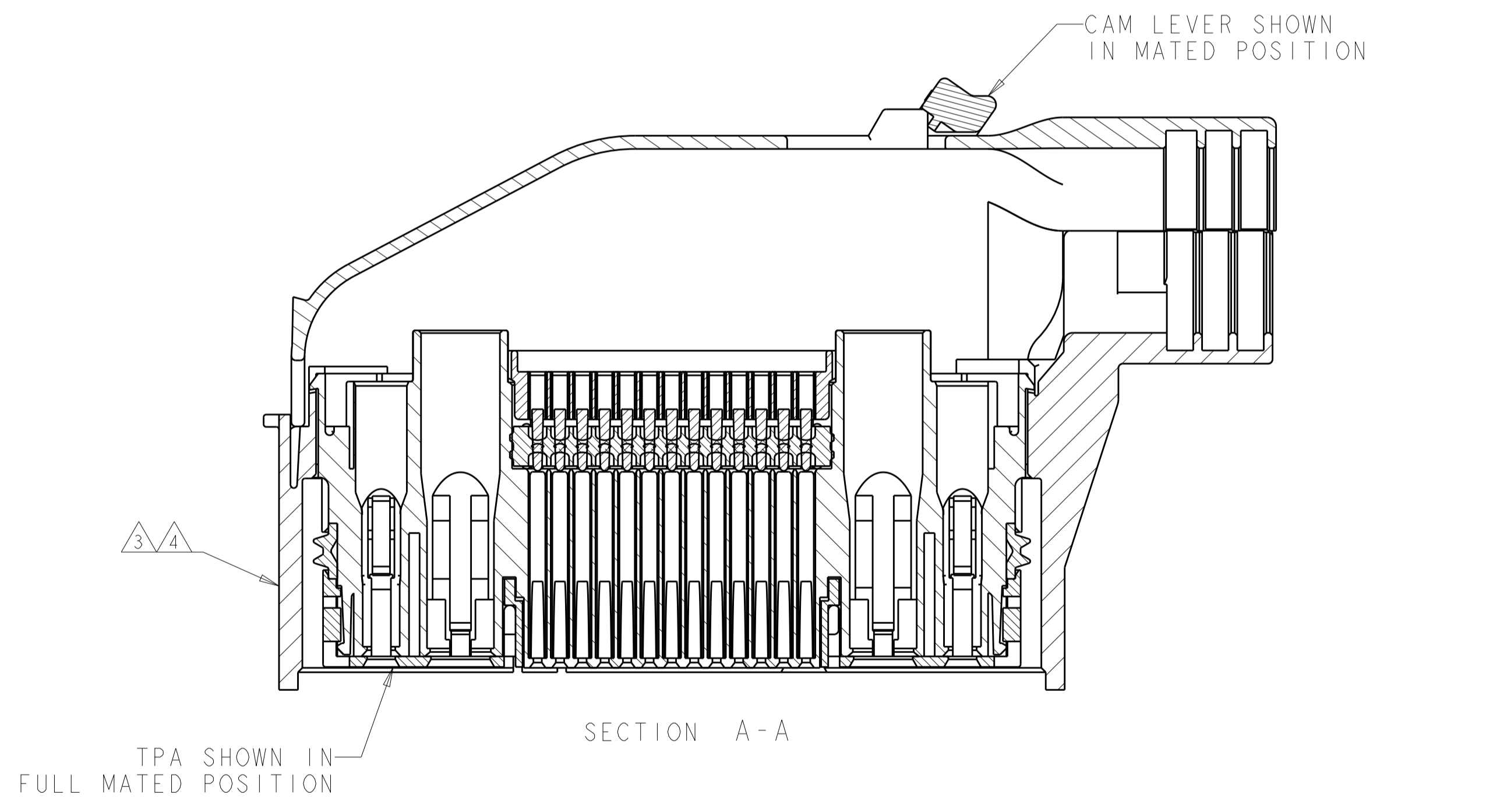
LOC	DIST	REVISIONS					
GE	00	P.	LTN	DESCRIPTION	DATE	OWN	APVD
		L1		REVISED PER ECR-10-016163	05AUG2010	HM	SM
		L2		REVISED PER ECO-12-008839	14MAY2012	DD	SM
		L3		REVISED PER ECO-12-019090	31OCT2012	DLD	SLM



- ⚠ P/N FOR ENGINEERING USE ONLY.
 - ⚠ SEE MATRIX DRAWING 1326534 FOR THE ENTIRE OFFERING OF PINOUT OPTIONS.
 - ⚠ MANUFACTURING DATE CODE TO BE LOCATED IN THIS AREA.
 - ⚠ PART NUMBER TO BE LOCATED IN THIS AREA.
5. FOR MATING AND UNMATING INSTRUCTIONS REFERENCE INSTRUCTION SHEET 408-8788.



SCALE 1:1



2.8mm ALWAYS OPEN		6.3mm ALWAYS OPEN		6.3mm ALWAYS OPEN		2.8mm ALWAYS OPEN		6.3mm ALWAYS OPEN		2.8mm ALWAYS OPEN		6.3mm ALWAYS OPEN		6.3mm ALWAYS OPEN		2.8mm ALWAYS OPEN		6.3mm ALWAYS OPEN		PART NUMBER																												
0	0	3	4	5	6			9	10			14	15	0	0	19	20	22	24	27	28	0	0	32	34	36	37	38	39	41	42	43	0	0	I-1326110-1													
0	0	3	4	5	6			9	10			14	15	0	0	19	20		24	27	28	0	0	32	34	36	37	38	39	41	42	43	0	0	I-1326110-0													
0	0		4	5	7	8	9	10	11			14	15	0	0	19	20	21	22	23	24	25		28	29	0	0	33	34	35	36	37	38	39	40		0	0	1326110-4									
0	0		4	5	7							14		0	0	19	20	21						28		0	0	33	34	35	36					0	0	1326110-3										
0	0	3	4	5	6	7	8	9	10	11	12	13	14	15	0	0	18	19	20	21	22	23	24	25	26	27	28	29	0	0	32	33	34	35	36	37	38	39	40	41	42	43	44	0	0	1326110-2		
0	0														0	0																														0	0	1326110-1
1	2	3	4	5	6	7	8	9	10	11	12	13	14	15	16	17	18	19	20	21	22	23	24	25	26	27	28	29	30	31	32	33	34	35	36	37	38	39	40	41	42	43	44	45	46			PART NUMBER

PINOUT CONFIGURATION TABLE

BLANK CIRCUITS = OPEN CAVITIES: CIRCUITS NUMBERED "0" = ALWAYS OPEN CAVITIES. NUMBERED CIRCUITS = BLOCK CAVITIES

THIS DRAWING IS A CONTROLLED DOCUMENT.

DIMENSIONS: MM

TOLERANCES UNLESS OTHERWISE SPECIFIED:

0 PLC ±0.25
1 PLC ±1.00
2 PLC ±0.50
3 PLC ±0.10
4 PLC ±0.05
ANGLES ±0.05

MATERIAL: . . . FINISH: . . .

OWN: AJ_GRAFF 03JUN2002
CHK: JL_TONEY 03JUN2002
APPD: JL_TONEY 03JUN2002

NAME: PLUG ASSEMBLY, 46 POSITION, WITH CHANGEABLE CORE, EBC-440

SIZE: A1 00779 C=1326110
SCALE: 2:1 SHEET 1 OF 1 REV. 1.3

CUSTOMER DRAWING

X-ON Electronics

Largest Supplier of Electrical and Electronic Components

Click to view similar products for [Heavy Duty Power Connectors](#) category:

Click to view products by [TE Connectivity](#) manufacturer:

Other Similar products are found below :

[647757-1](#) [6643411-1](#) [6646058-2](#) [6646137-1](#) [6646138-1](#) [6646479-1](#) [6646608-1](#) [6646786-1](#) [6646940-1](#) [6651091-1](#) [6651525-1](#) [6651529-1](#)
[6651788-1](#) [696475-1](#) [702-32-01109](#) [703-25-02205](#) [73000005059](#) [73000005642](#) [73080255059](#) [73080965046](#) [765-15-0080A](#) [765-16-0080B](#)
[765-18-0080D](#) [829992-1](#) [902-77-02113](#) [PS00/A0620/6300](#) [PS25/A0420/63](#) [129-1J](#) [1409400](#) [AN0024023](#) [E6374G1](#) [e6389g2](#) [157-43GW8](#)
[MS3117-14AC](#) [1643543-1](#) [1650540-1](#) [1651811-2](#) [1766260-1](#) [1766282-1](#) [1766966-1](#) [1791340000](#) [NLDFT-3-BL-L-S120-M40A](#) [NLDFT-N-](#)
[W-L-C240-M40B](#) [NLS-2-R-C240-M40B](#) [NLS-N-W-C240-M40B](#) [NPS-3-BL-T6](#) [1986615-1](#) [2-1589900-8](#) [2199314-1](#) [KA8102](#)