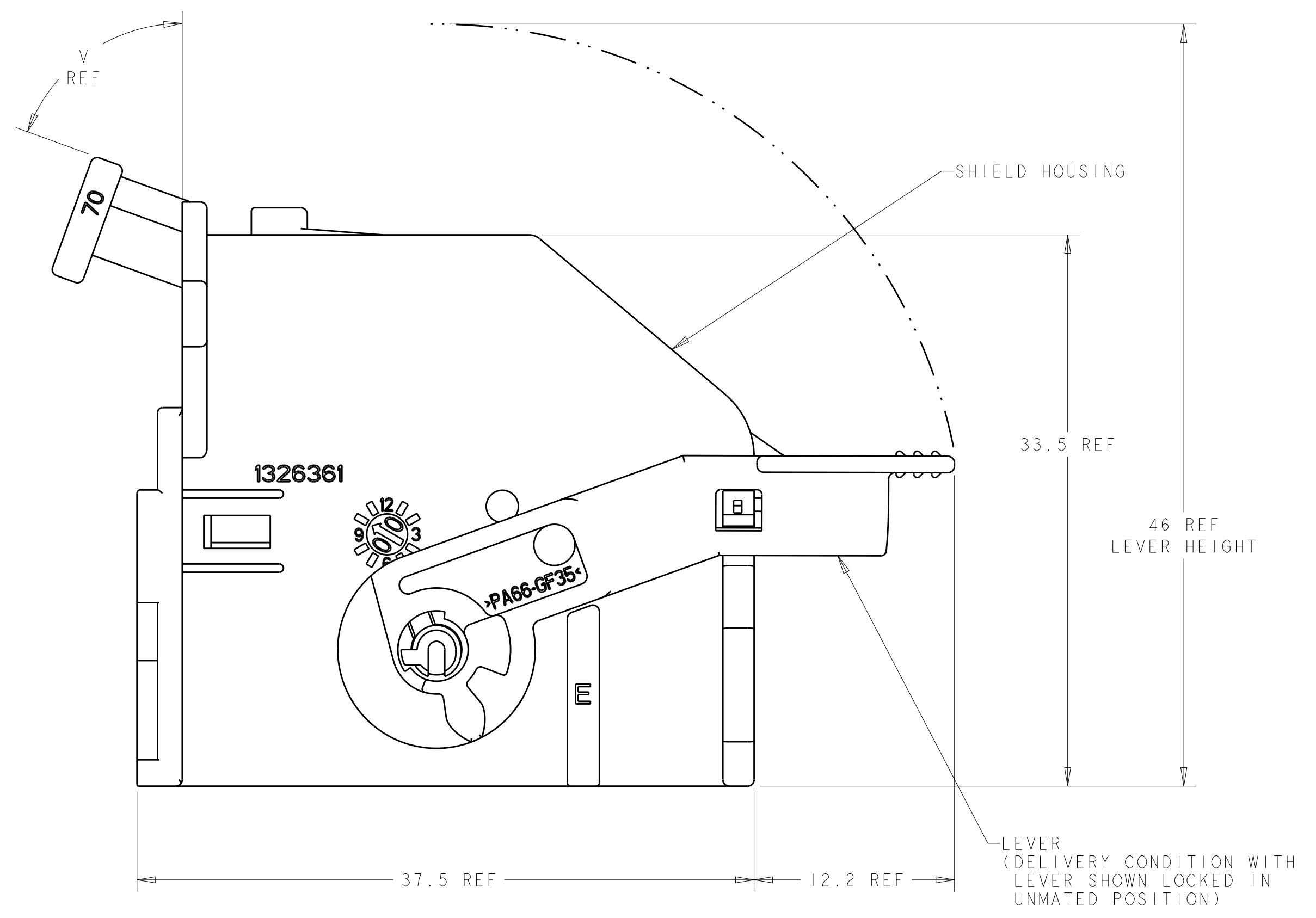
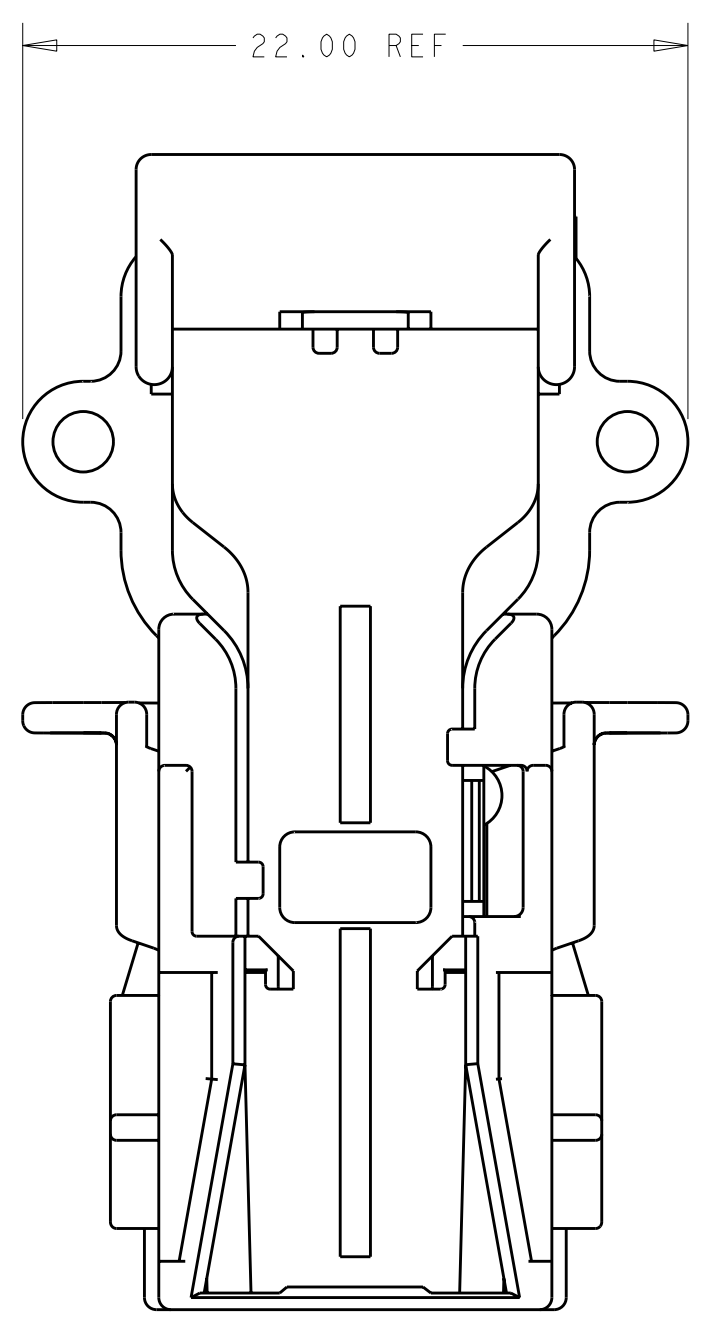
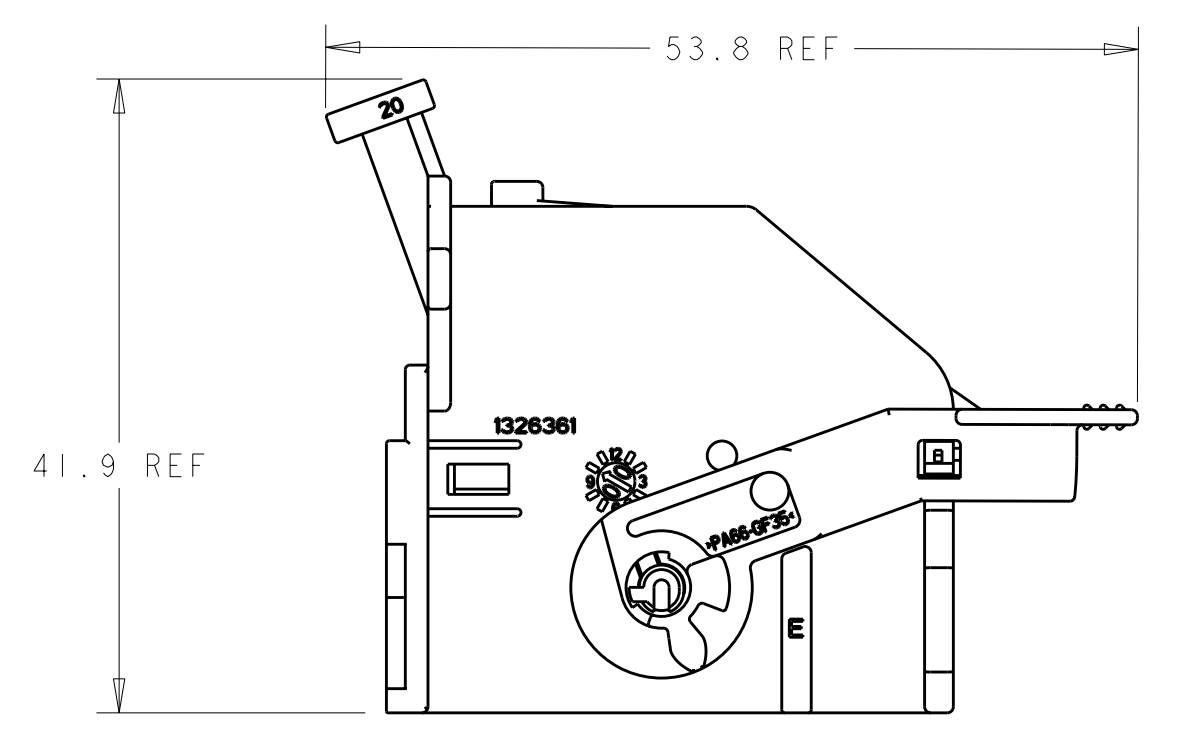
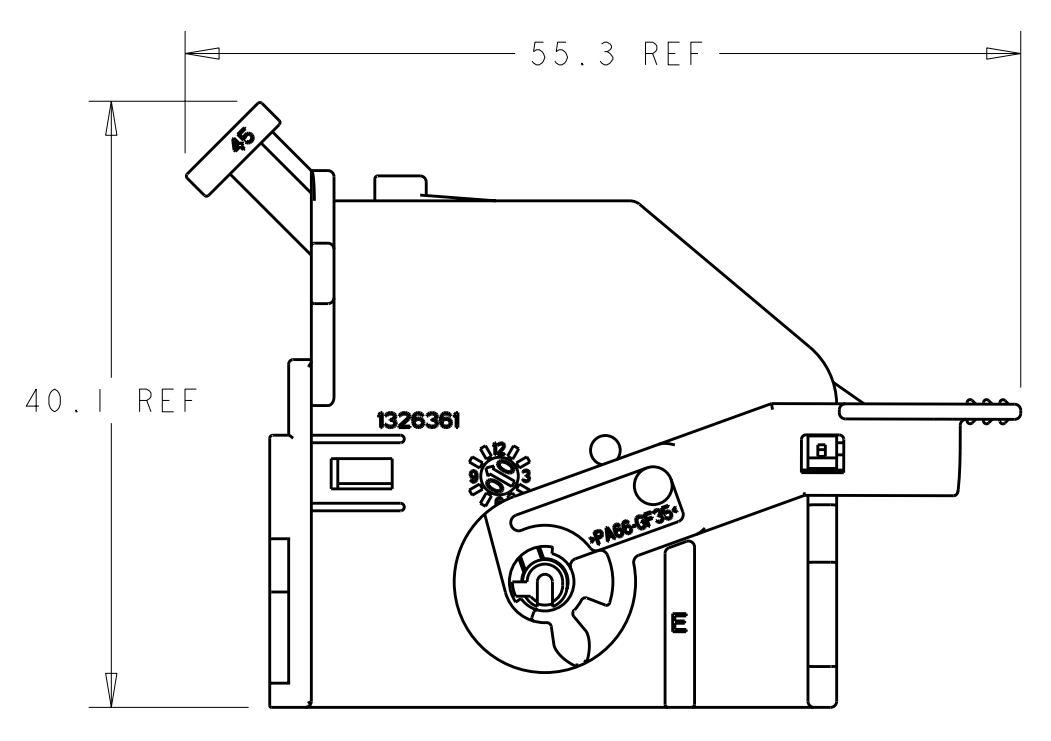
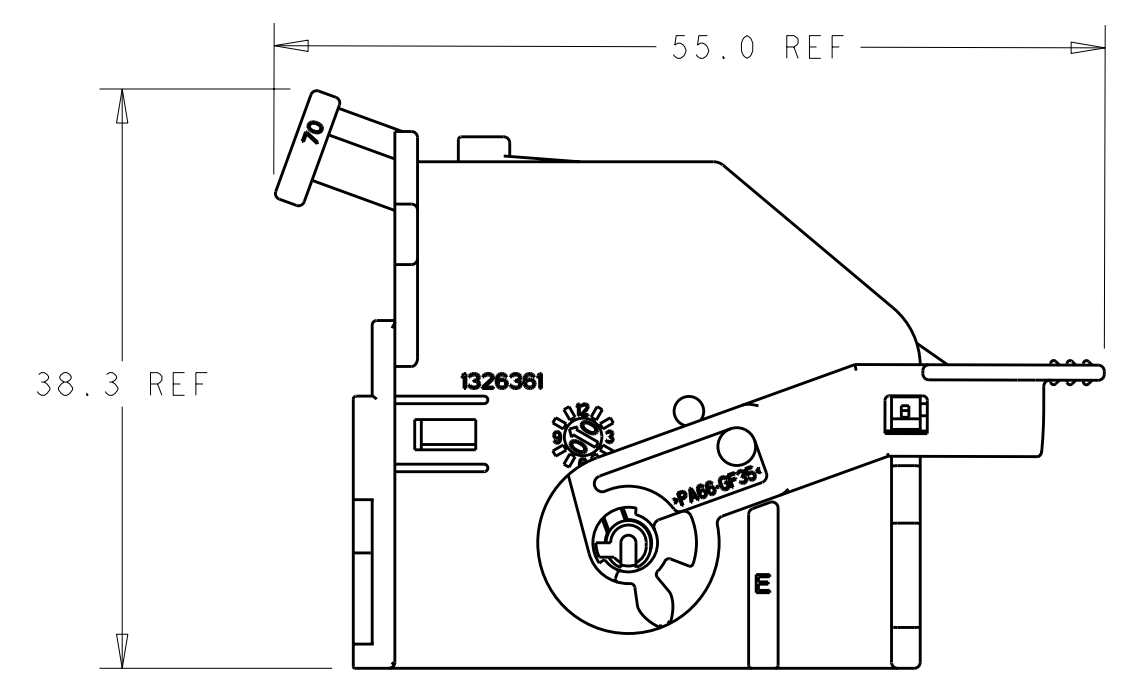


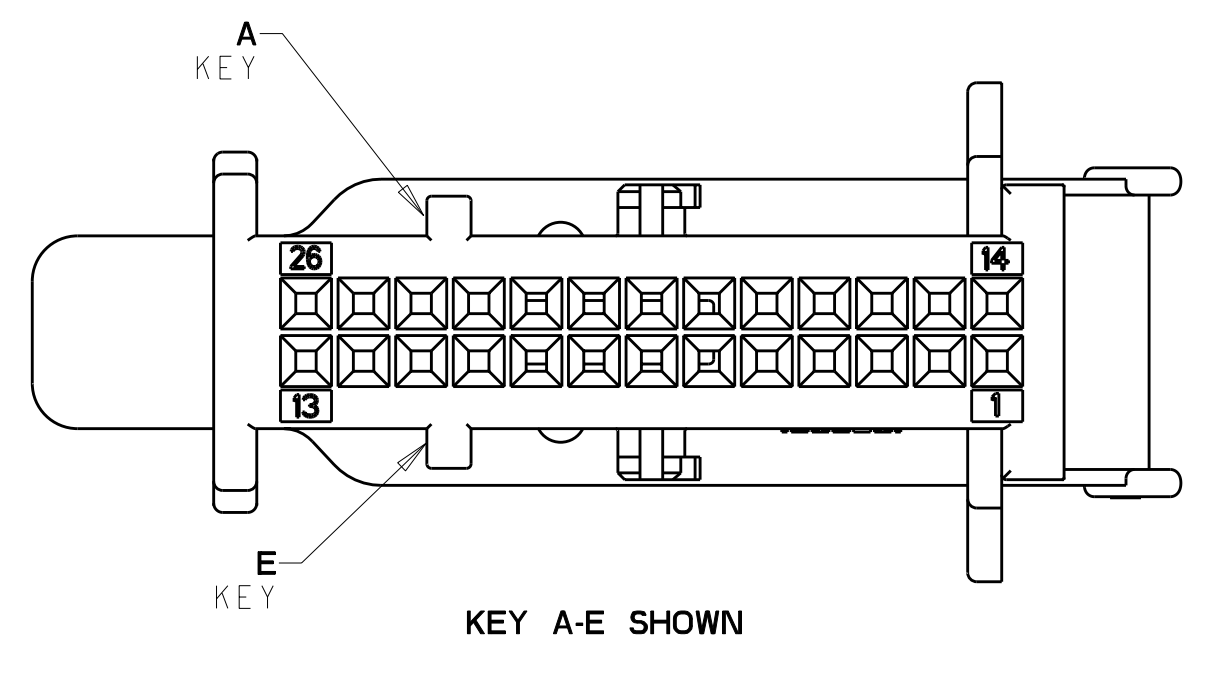
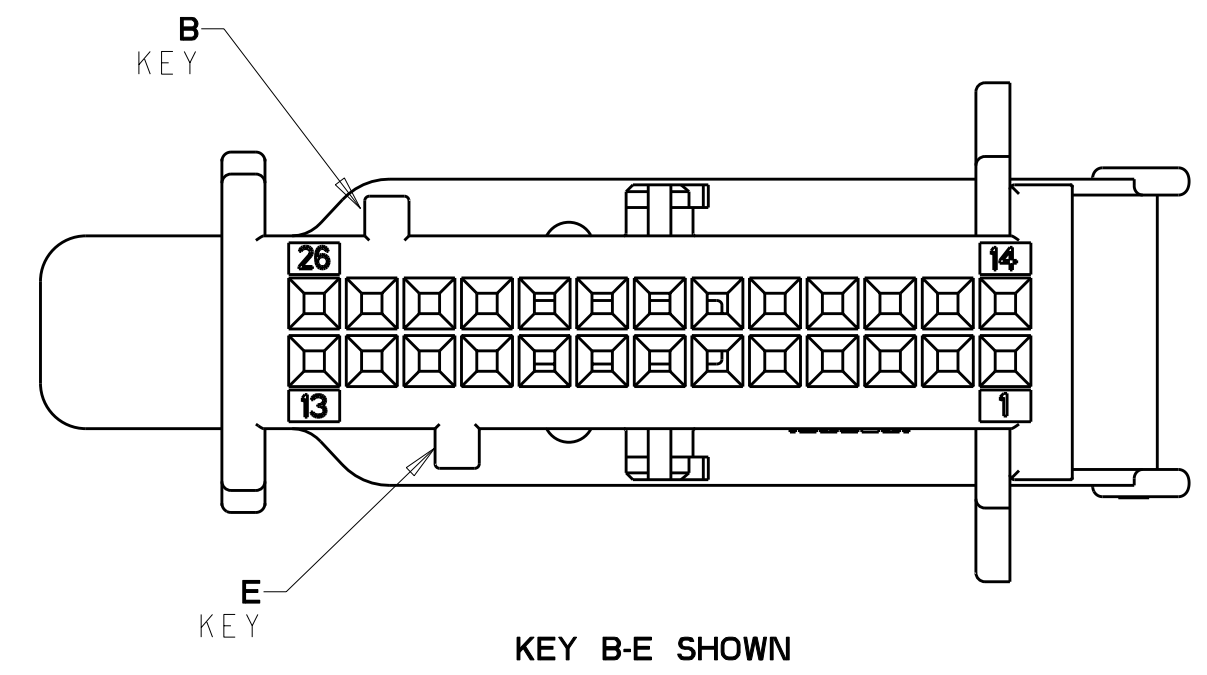
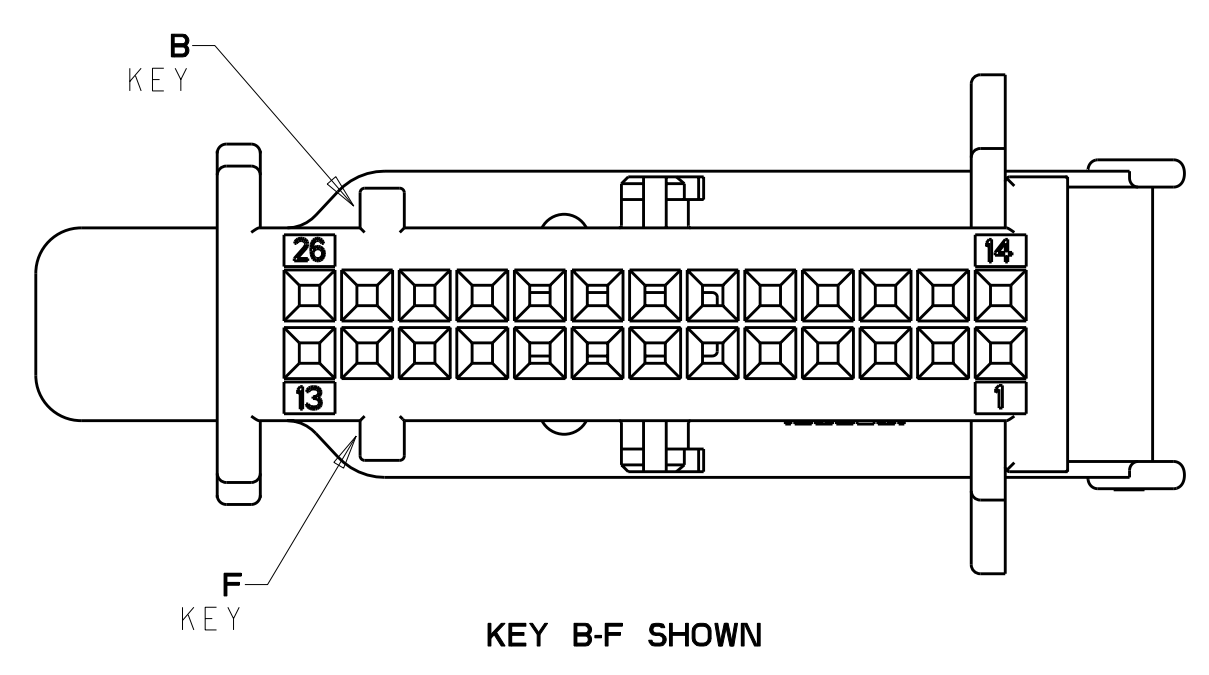
1. MATERIAL: SHIELD - 35% GLASS REINFORCED NYLON. SEE TABLE BELOW FOR COLOR.
LEVER - 35% GLASS REINFORCED NYLON. COLOR: LIGHT GRAY.
2. REFERENCE: RECEPTACLE HOUSING, 1326042-1, USED WITH THIS ASSEMBLY.
3. REFERENCE: INTERFACE DETAIL PER DRAWING NO. AUAUTO1000-2962-0009
4. REFER TO INSTRUCTION SHEET 408-8662 FOR PRODUCT ASSEMBLY AND DISASSEMBLY PROCEDURES.
5. REFER TO USCAR-2 REV 3 APRIL 2001 FOR PRODUCT SPECIFICATIONS.

| LOC | DIST | REVISIONS | | | |
|-----|------|-----------------------------|-----------|-----|------|
| P | LT# | DESCRIPTION | DATE | OWN | APVD |
| FX | 00 | | | | |
| 0 | | REVISED PER EC 0K80-0281-02 | 01MAY2003 | SPT | AME |
| A | | REVISED PER EC 0K80-0196-04 | 14JUN2004 | DLD | AME |
| A1 | | REV PER ECR-10-011823 | 28MAY2010 | VSS | CS |



WIRE EXIT OPTIONS FOR REFERENCE ONLY

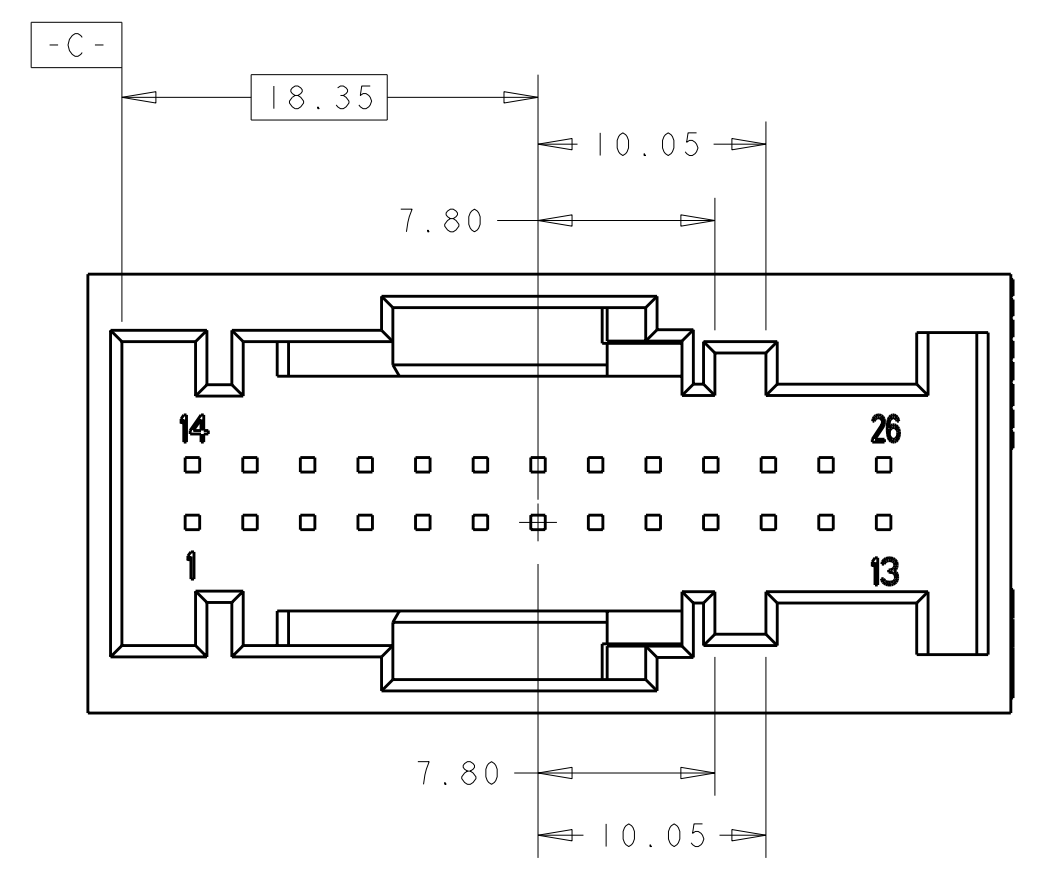
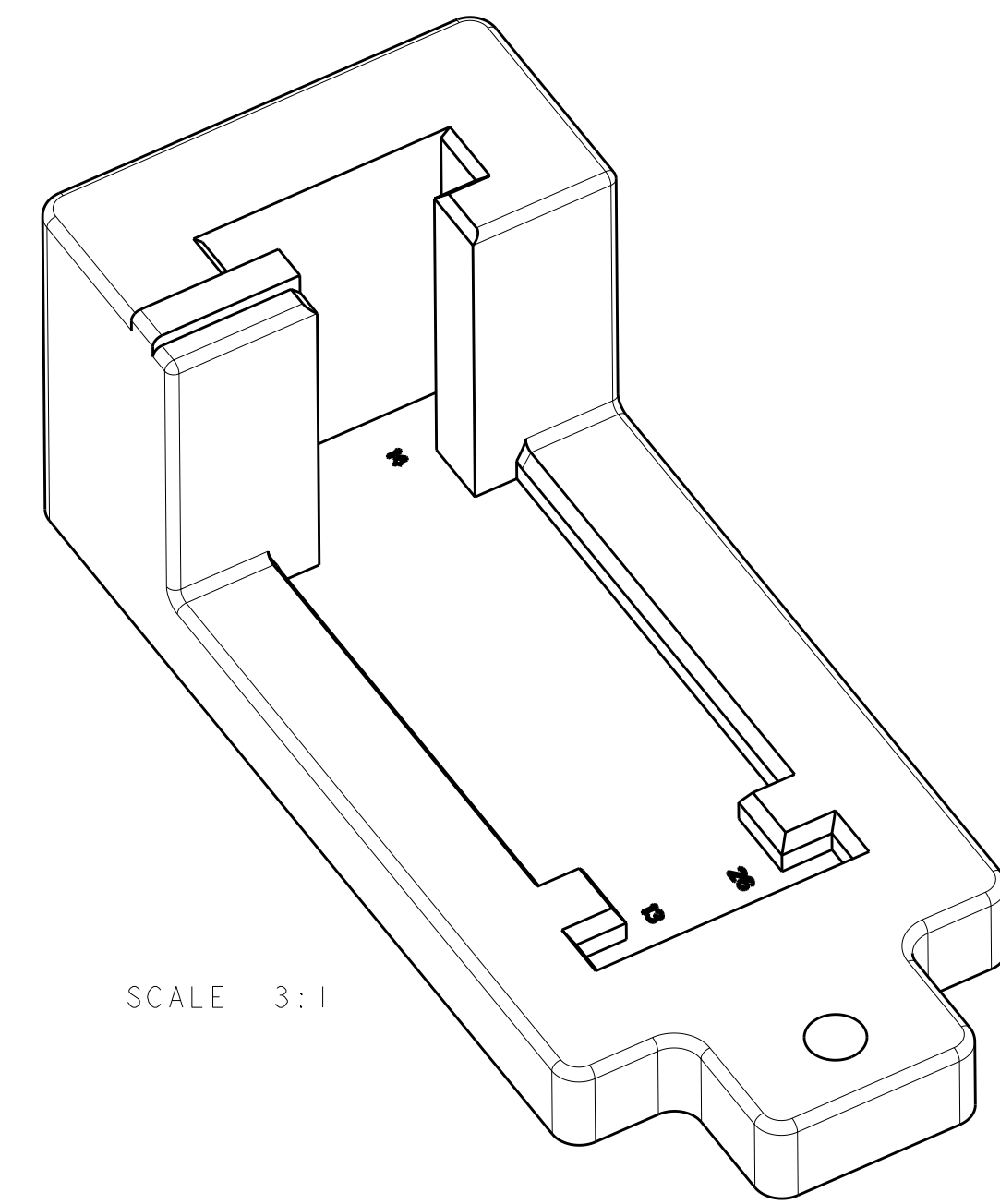
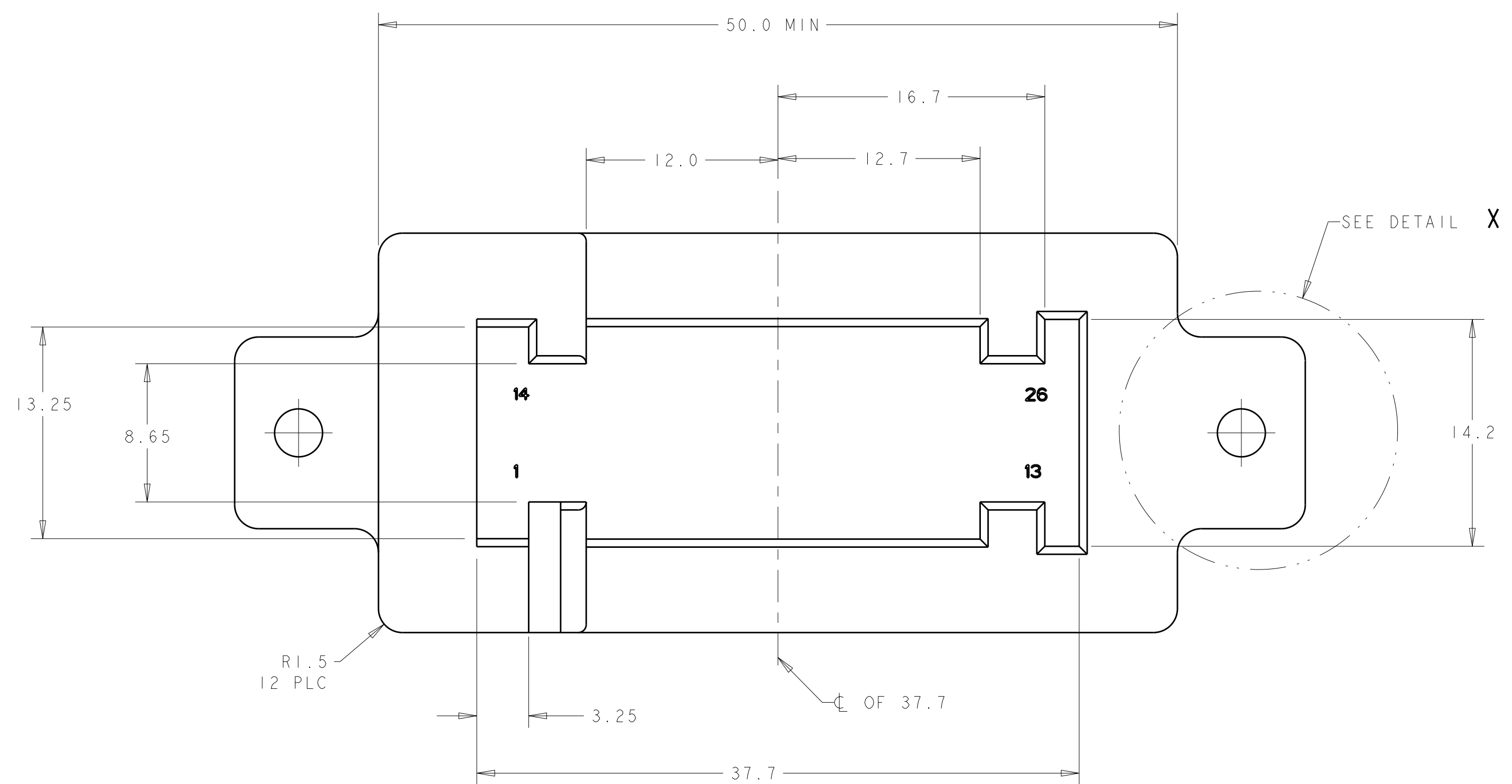
| DIM V | COLOR | KEYING OPT. | PART NUMBER |
|-------|---------|-------------|-------------|
| 70° | NATURAL | A-E | 1-1326136-0 |
| 20° | BLUE | B-F | 1326136-9 |
| 20° | GRAY | B-E | 1326136-8 |
| 20° | BLACK | A-E | 1326136-7 |
| 45° | BLUE | B-F | 1326136-6 |
| 45° | GRAY | B-E | 1326136-5 |
| 45° | BLACK | A-E | 1326136-4 |
| 70° | BLUE | B-F | 1326136-3 |
| 70° | GRAY | B-E | 1326136-2 |
| 70° | BLACK | A-E | 1326136-1 |



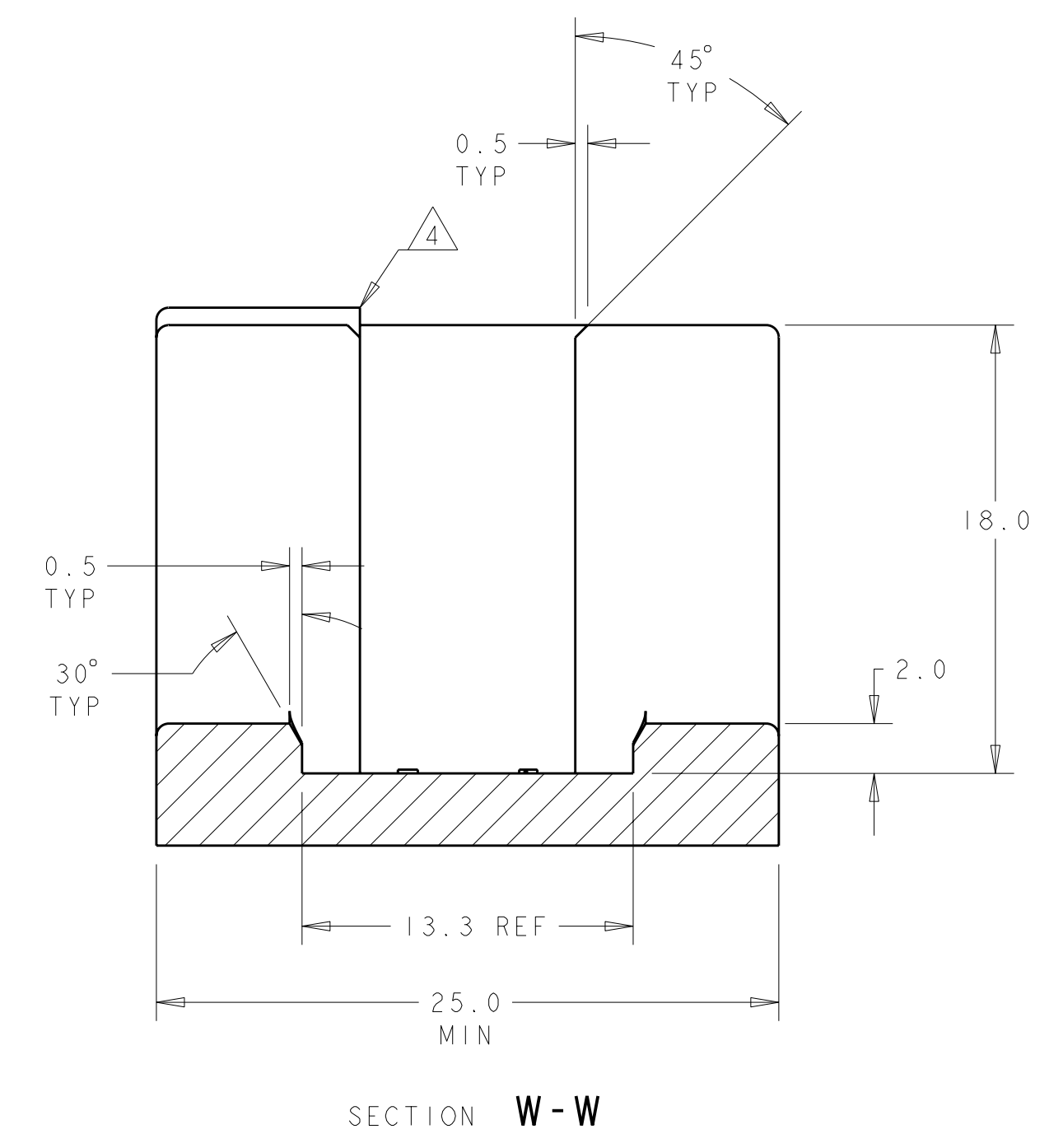
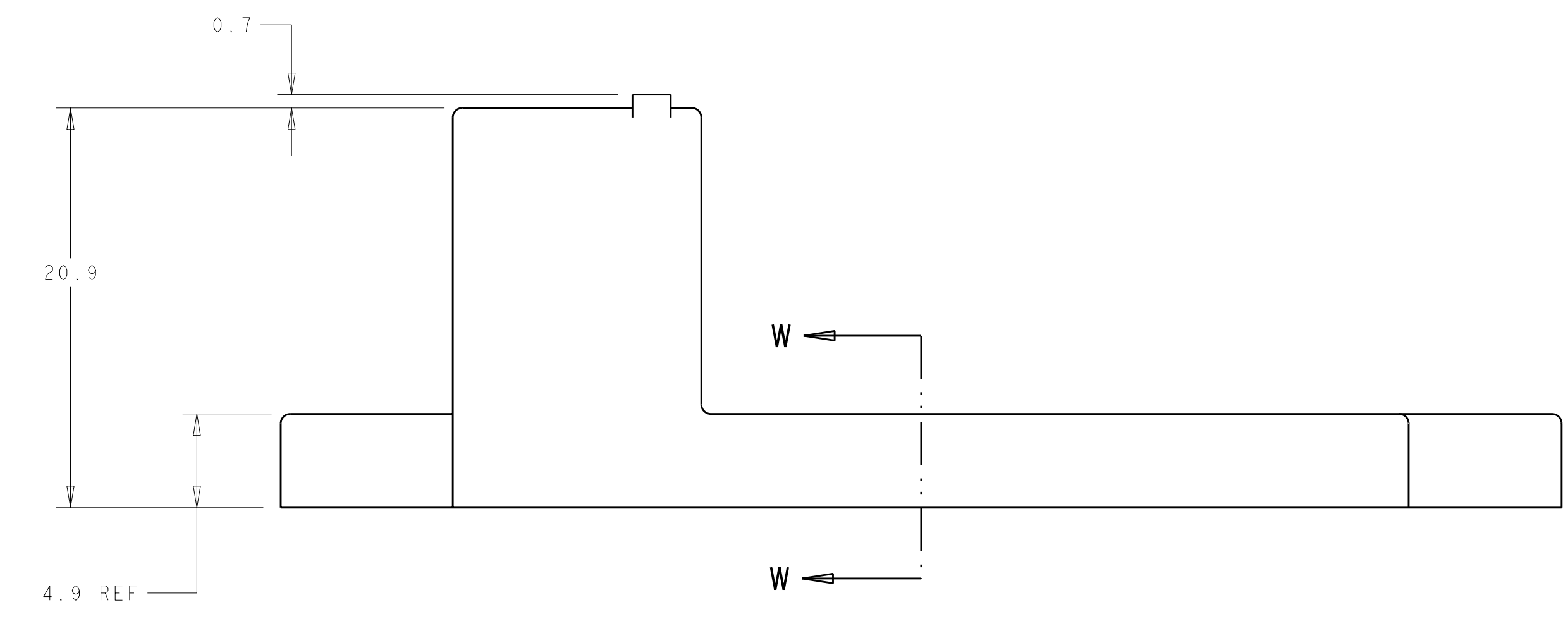
KEYING OPTIONS REFERENCE ONLY

| | | | |
|--|---|--|---|
| <small>THIS DRAWING IS UNPUBLISHED. RELEASED FOR PUBLICATION BY TYCO ELECTRONICS CORPORATION. ALL RIGHTS RESERVED.</small> | | DWN: W. HOELSCHER 03AUG2001 CHK: S. TOBEY 03AUG2001 APVD: S. TOBEY 03AUG2001 | Tyco Electronics Tyco Electronics Harrisburg, PA 17105-3608 |
| DIMENSIONS: mm | TOLERANCES UNLESS OTHERWISE SPECIFIED: 9 PLC ± 1 PLC ±0.1 5 PLC ±0.05 4 PLC ± ANGLES ±1° FINISH | NAME: SHIELDS PRODUCT SPEC: APPLICATION SPEC: WEIGHT: CUSTOMER DRAWING | SIZE: CAGE CODE DRAWING NO. RESTRICTED TO A1 00779 C=1326136 SCALE: 4:1 SHEET 1 OF 2 REV A1 |

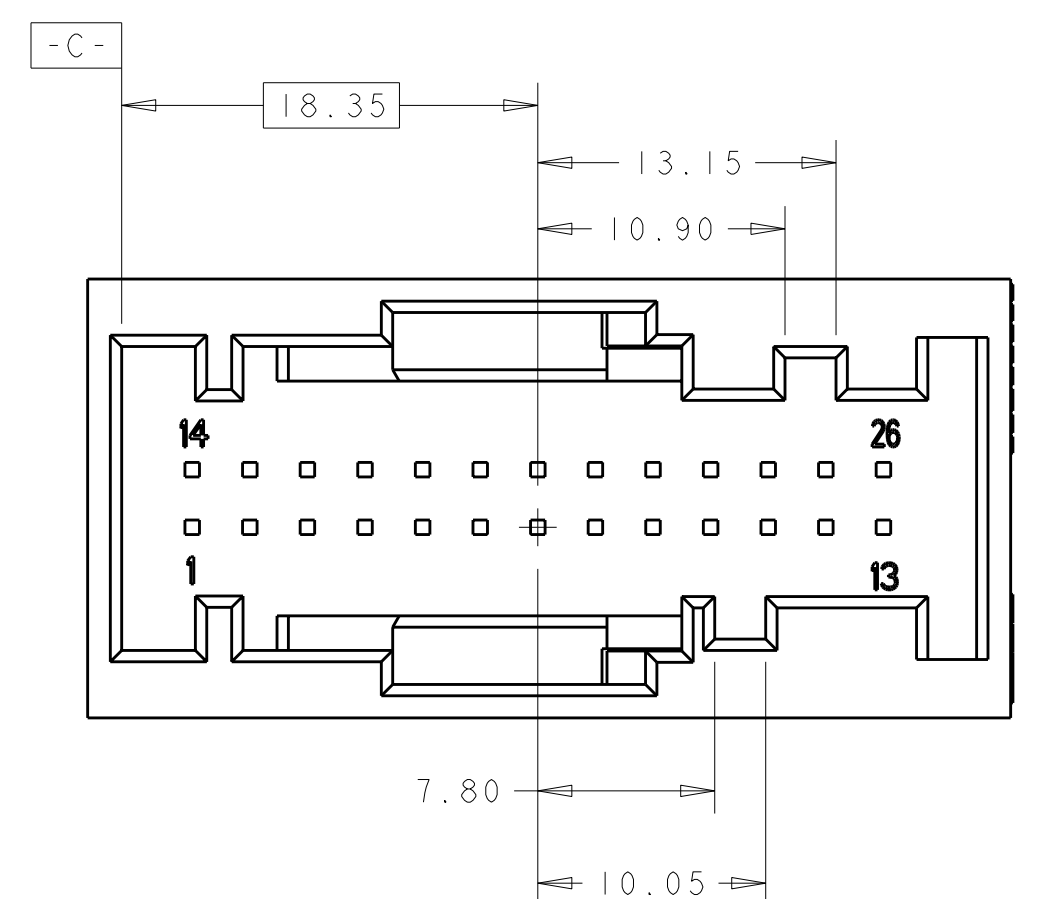
| LOC | DIST | REV | DATE | BY | APPD |
|-----------|------|-----|-------------|------|------|
| FX | 00 | | | | |
| REVISIONS | | | DESCRIPTION | DATE | BY |
| - | | | SEE SHEET 1 | - | - |



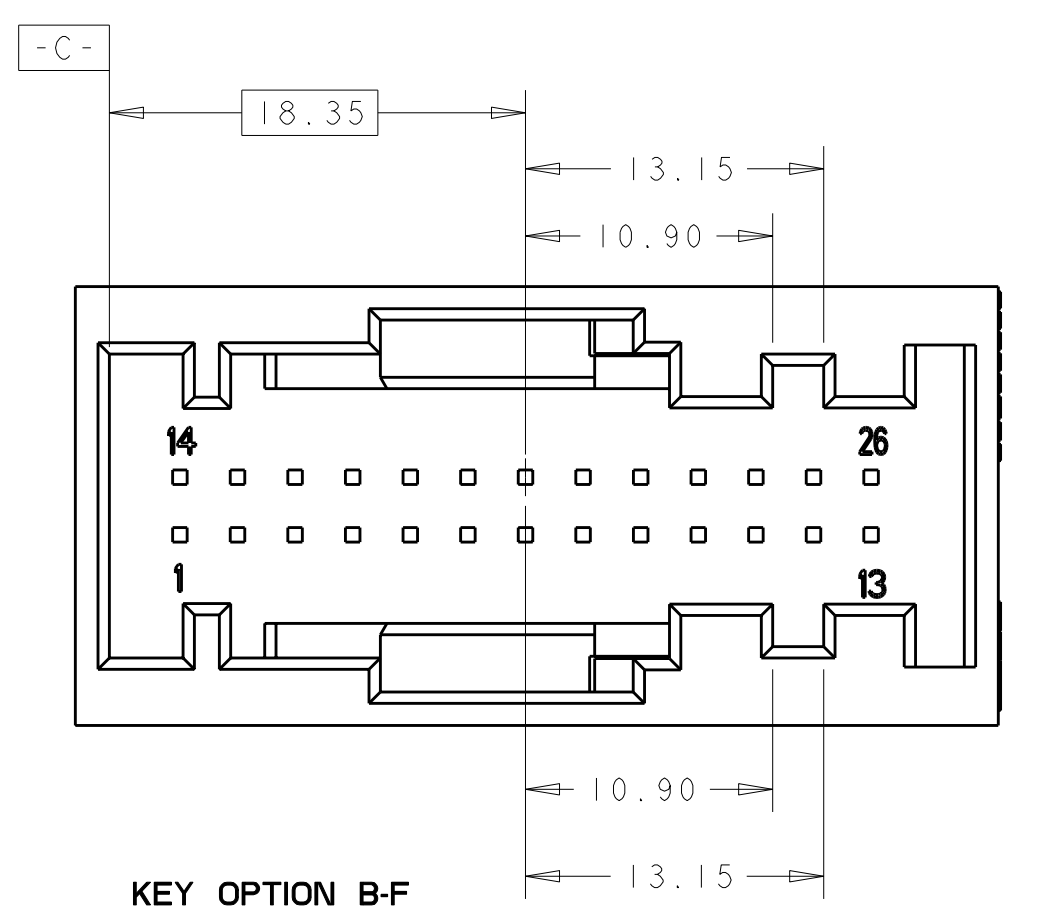
KEY OPTION A-E



SECTION W-W



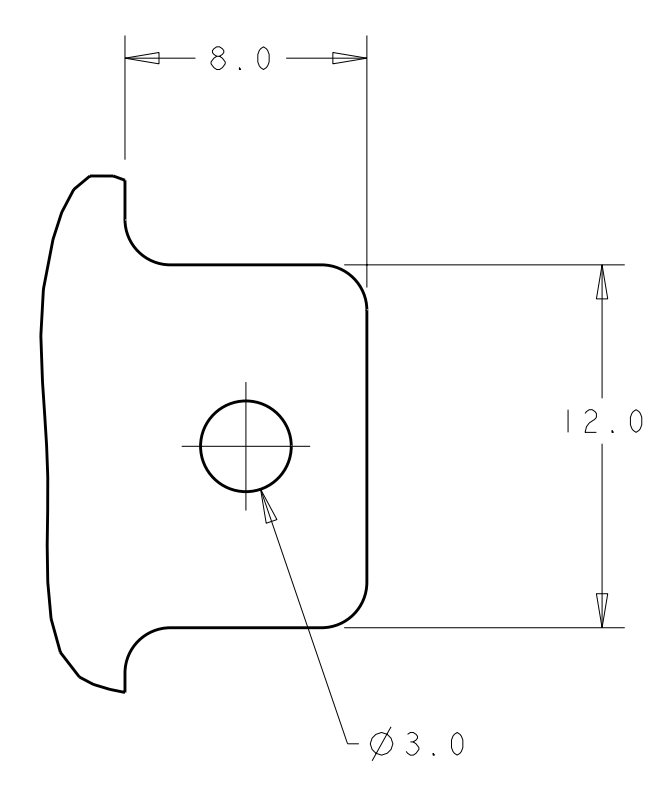
KEY OPTION B-E



KEY OPTION B-F

26 POSITION CONNECTOR FIXTURE
 (SHOWN WITH CLEARANCE FOR ALL KEY OPTIONS)

- CONNECTOR FIXTURE SHOULD BE USED TO VERIFY THE RECEPTACLE CARRIER IS PROPERLY SEATED AND LOCKED INTO THE SHIELD ASSEMBLY. THE CONNECTOR WILL NOT FULLY MATE TO THE FIXTURE IF THE RECEPTACLE CARRIER IS OUT OF POSITION.
- RECOMMEND USING A SENSING DEVICE FOR VERIFYING FULLY MATED CONNECTORS. SUCH A DEVICE IS UP TO THE CUSTOMERS DISCRETION.
- RECOMMENDED MATERIAL: HARDEND STEEL
- NO RADII OR CHAMFER PERMITTED IN SPECIFIED AREA. MUST MAINTAIN 90° EDGE.
- RADII TO BE 0.5 UNLESS OTHERWISE SPECIFIED.
- OPTIONAL CONSTRAINT FEATURE.



DETAIL X
 SCALE 4:1
 2 PLC

| | | | | | | | |
|---|--|--|--|---|--|---|--|
| DIMENSIONS: mm 9 PLC ± 1 PLC ±0.1 2 PLC ±0.05 3 PLC ± 4 PLC ± ANGLES ± FINISH ± | | TOLERANCES UNLESS OTHERWISE SPECIFIED: 9 PLC ± 1 PLC ±0.1 2 PLC ±0.05 3 PLC ± 4 PLC ± ANGLES ± FINISH ± | | DWN W. HOELSCHER 03AUG2001 CHK S. TOBEY 03AUG2001 APVD S. TOBEY 03AUG2001 NAME PRODUCT SPEC APPLICATION SPEC WEIGHT CUSTOMER DRAWING | | Tyco Electronics Harrisburg, PA 17105-3608 SHIELD ASSEMBLY, 0.64mm 26 POSN, LEVER ASSISTED CONNECTOR SINGLE GEAR SIZE CAGE CODE DRAWING NO RESTRICTED TO A1 00779 C=1326136 2 OF 2 REV A1 | |
|---|--|--|--|---|--|---|--|

X-ON Electronics

Largest Supplier of Electrical and Electronic Components

Click to view similar products for [Automotive Connectors](#) category:

Click to view products by [TE Connectivity](#) manufacturer:

Other Similar products are found below :

[003-018-000](#) [60403001](#) [60993906-B](#) [M902-2131](#) [M902-2161](#) [M902-2344](#) [72.330.1035.1](#) [73.353.4028.0](#) [F119300-B](#) [F166900](#) [F258300-B](#)
[F358300-B](#) [F407400](#) [F444110](#) [F487000](#) [F509500B-B](#) [827153-1](#) [8N1515-32-24P](#) [9-1326729-8](#) [925474-1](#) [928905-1](#) [964562-4](#) [968782-1](#)
[GT17SA-8DS-HU](#) [98891-1012](#) [98947-1016](#) [12004147](#) [12004475-L](#) [12010290](#) [12010309-B](#) [12015454](#) [12020219-B](#) [12041318-B](#) [12052225-](#)
[L](#) [12052466](#) [12064869](#) [12004327-B](#) [12015308](#) [12015384](#) [12015909](#) [1-21030-1](#) [12041254](#) [12041318](#) [12047946-B](#) [12047957](#) [12047957-L](#)
[12059473](#) [12066261](#) [12110546](#) [12110546-B](#)