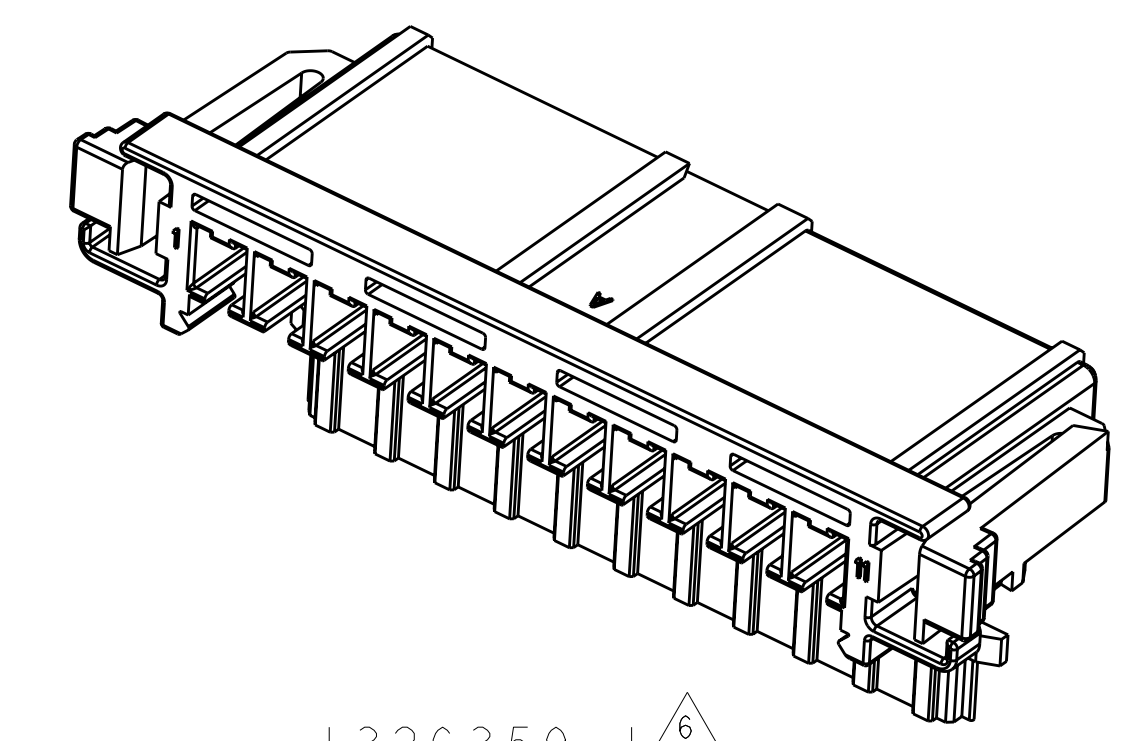
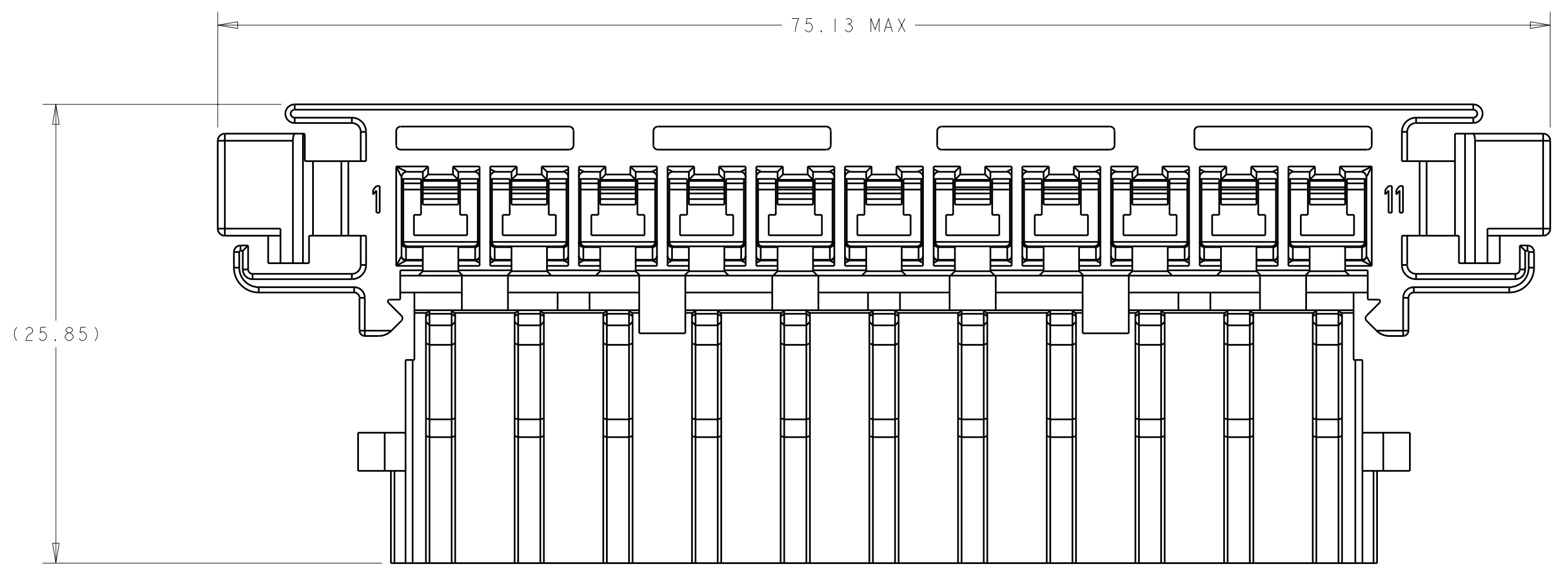
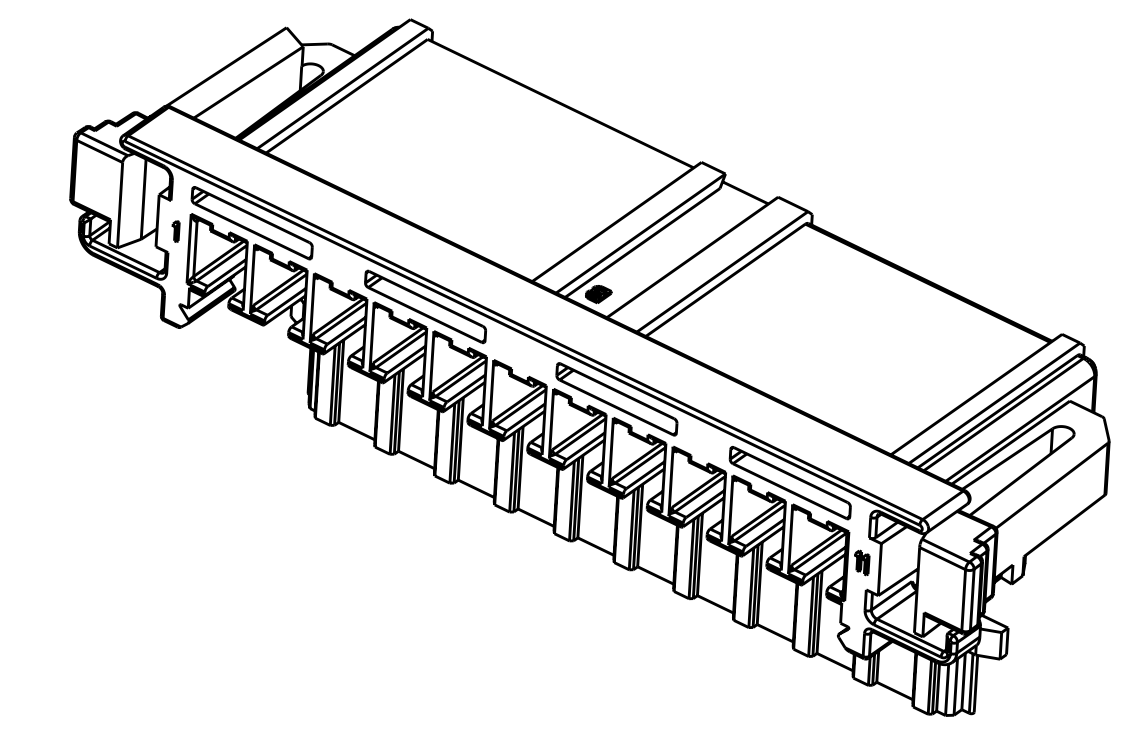
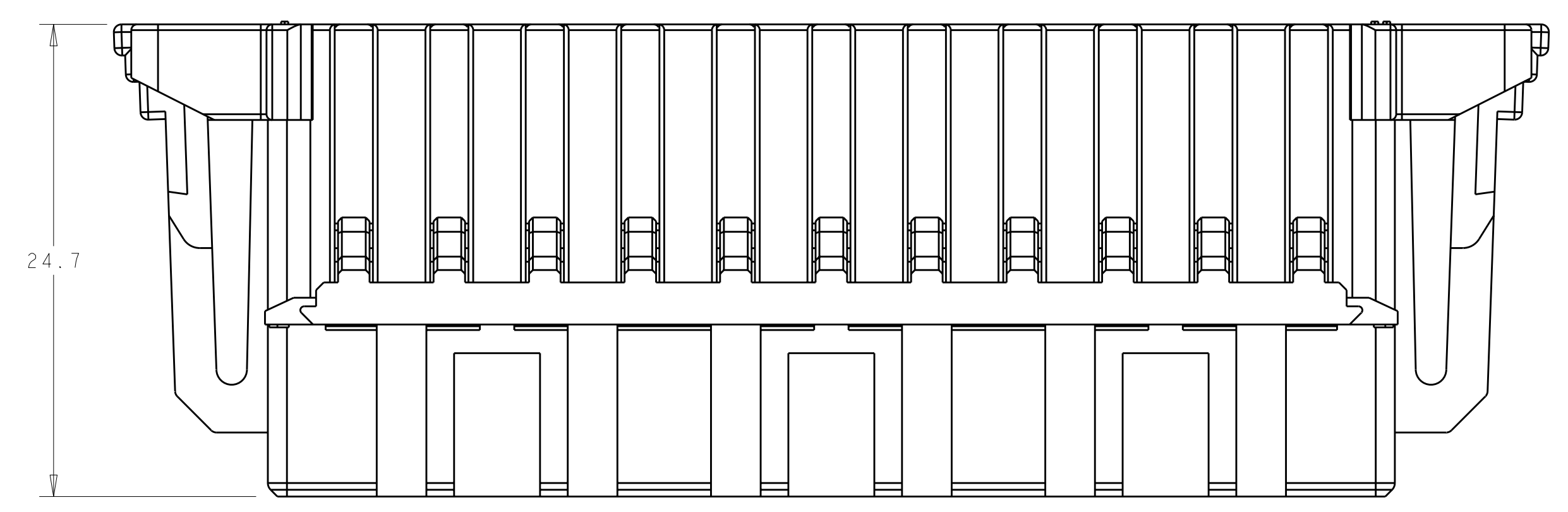


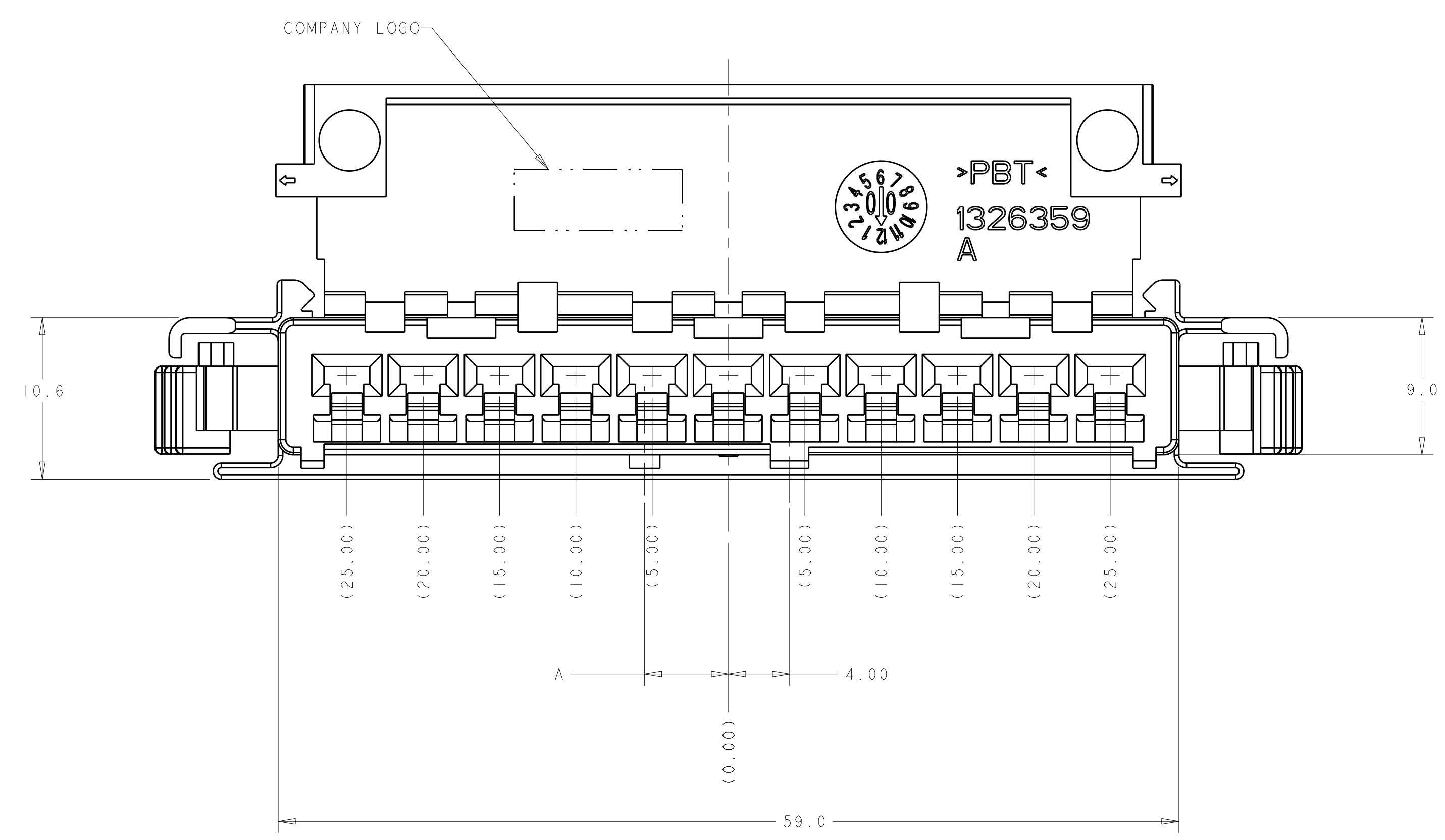
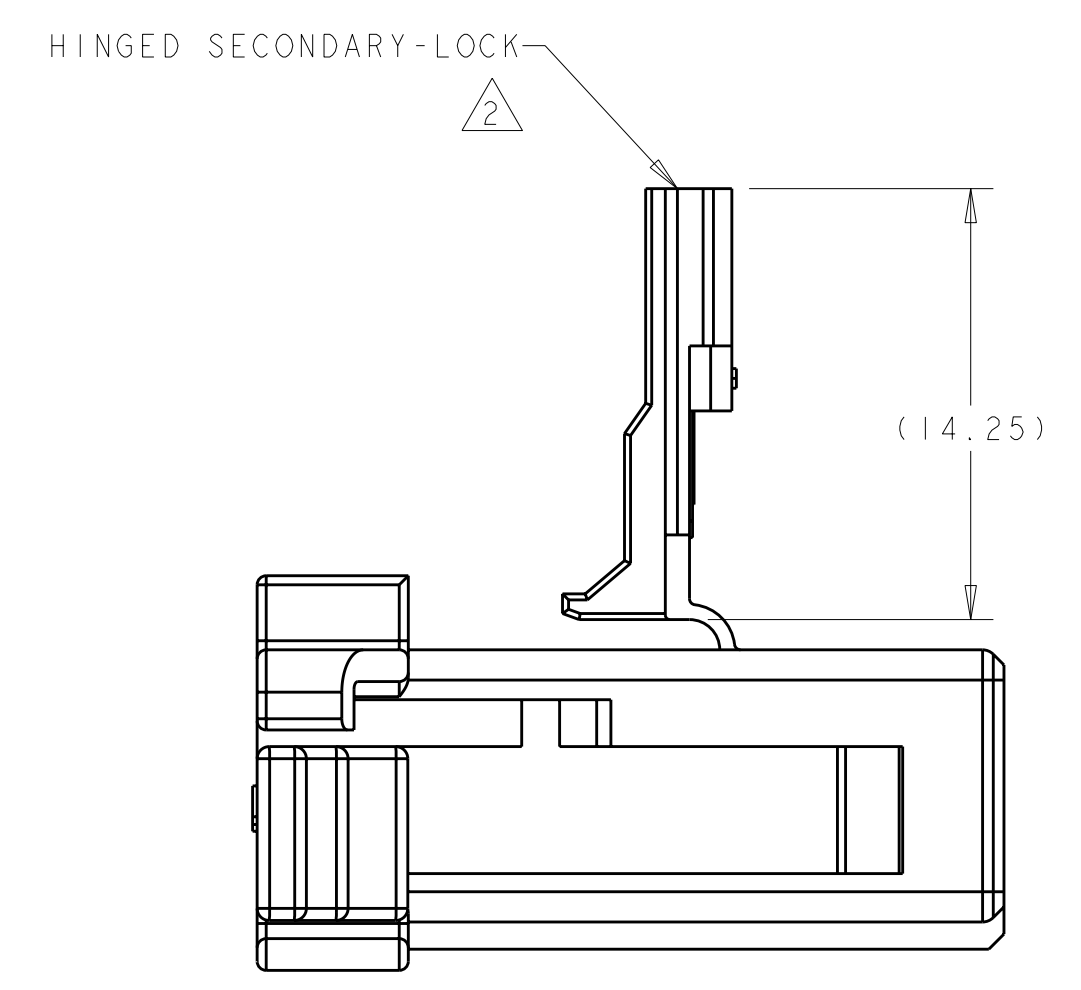
LOC	DIST	REVISIONS			
P	LTN	DESCRIPTION	DATE	DWN	APVD
A		RELEASE PER EC 0K40-0124-03	03FEB2003	MDB	MDB
B		REVISED PER EC 0K40-0042-05	08MAR2005	DLD	DHC
C		REVISED PER ECR-07-006654	28MAR2007	AH	DC
C1		REV PER ECR-10-014131	19JUL2010	VSS	SM



1326359-1
SCALE 2:1



1326359-2
SCALE 2:1



- △ HOUSING MATERIAL: PBT, 25% MAX REGRIND.
- △ SECONDARY LOCK SHOWN IN UNLOCKED POSITION.
- 3. TERMINALS SOLD SEPARATELY, SEE TYCO RECOMMENDED P/N 1326030 FOR TERMINATION AND REELING OPTIONS.
- 4. THIS HOUSING DOES NOT ALLOW THE INSERTION OF TERMINALS CRIMPED TO 10 AWG WIRE.
- 5. REMOVED
- △ INTERFERENCE KEYING FOR P/N 1326359-1 IS LOCATED ON THE KEYED SIDE OF THE LATCH ADJACENT TO CIRCUIT 11. INTERFERENCE KEYING FOR P/N 1326359-2 IS LOCATED ON THE KEYED SIDE OF THE LATCH ADJACENT TO CIRCUIT 1. ONLY ONE LATCH, IN BOTH CASES, CONTAINS INTERFERENCE KEYING.

GRAY	△	KEY 'B'	2.50	1326359-2
BLACK	△	KEY 'A'	5.50	1326359-1
COLOR	INTERFERENCE KEYING	KEYING CONFIGURATION	DIM A	PART NUMBER

DIMENSIONS: mm TOLERANCES UNLESS OTHERWISE SPECIFIED: 9 PLC ± 1 PLC ±0.3 2 PLC ±0.15 3 PLC ± 4 PLC ± ANGLES ± FINISH -		DWN: W. HOELSCHER 24JAN2002 CHK: D. BROWN 24JAN2002 APVD: D. BROWN 24JAN2002 PRODUCT SPEC: SAE/USCAR-2, REV 3 APPLICATION SPEC:		Tyco Electronics Harrisburg, PA 17105-3608 NAME: 2.8MM PLUG HOUSING 11 POSITION, UNSEALED LIVING HINGE DESIGN SIZE: A CAGE CODE: 00779 DRAWING NO: C=1326359 WEIGHT: - CUSTOMER DRAWING		Tyco Electronics Harrisburg, PA 17105-3608 RESTRICTED TO: - SCALE: 4:1 SHEET 1 OF 1 REV: C1	
--	--	---	--	--	--	--	--

X-ON Electronics

Largest Supplier of Electrical and Electronic Components

Click to view similar products for [Automotive Connectors](#) category:

Click to view products by [TE Connectivity](#) manufacturer:

Other Similar products are found below :

[003-018-000](#) [60403001](#) [60993906-B](#) [M902-2131](#) [M902-2161](#) [M902-2344](#) [72.330.1035.1](#) [73.353.4028.0](#) [F119300-B](#) [F166900](#) [F258300-B](#)
[F358300-B](#) [F407400](#) [F444110](#) [F487000](#) [F509500B-B](#) [827153-1](#) [8N1515-32-24P](#) [9-1326729-8](#) [925474-1](#) [928905-1](#) [964562-4](#) [968782-1](#)
[GT17SA-8DS-HU](#) [98891-1012](#) [98947-1016](#) [12004147](#) [12004475-L](#) [12010290](#) [12010309-B](#) [12015454](#) [12020219-B](#) [12041318-B](#) [12052225-](#)
[L](#) [12052466](#) [12064869](#) [12004327-B](#) [12015308](#) [12015384](#) [12015909](#) [1-21030-1](#) [12041254](#) [12041318](#) [12047946-B](#) [12047957](#) [12047957-L](#)
[12059473](#) [12066261](#) [12110546](#) [12110546-B](#)