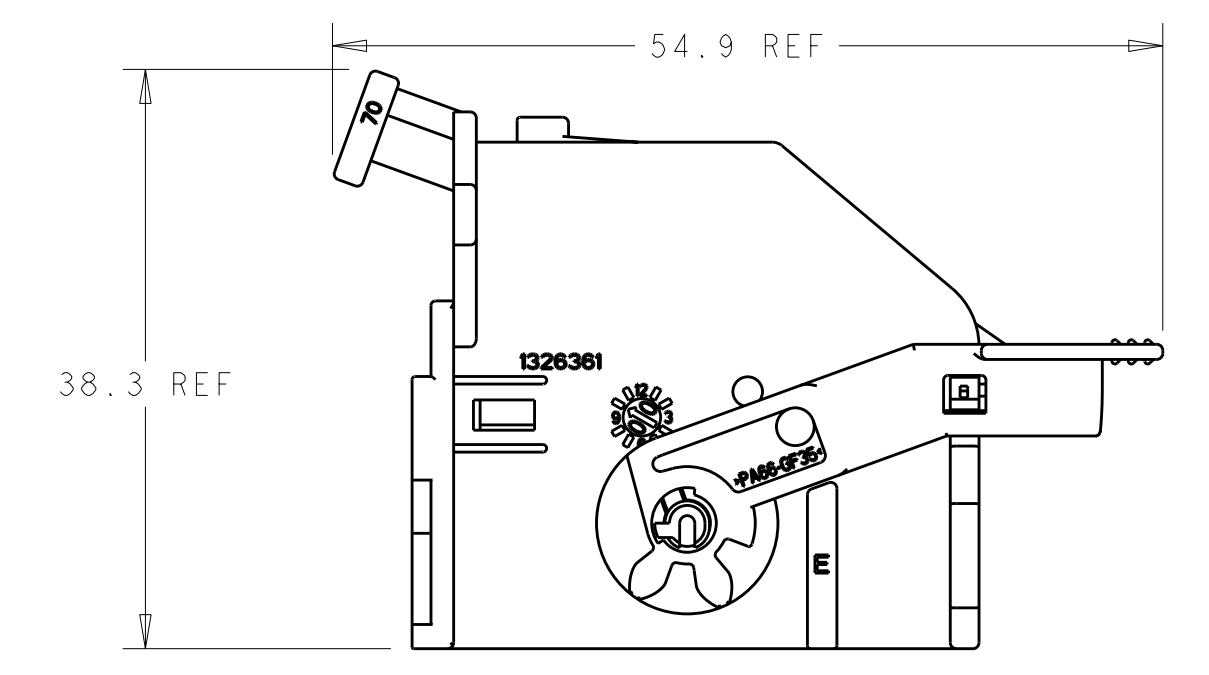
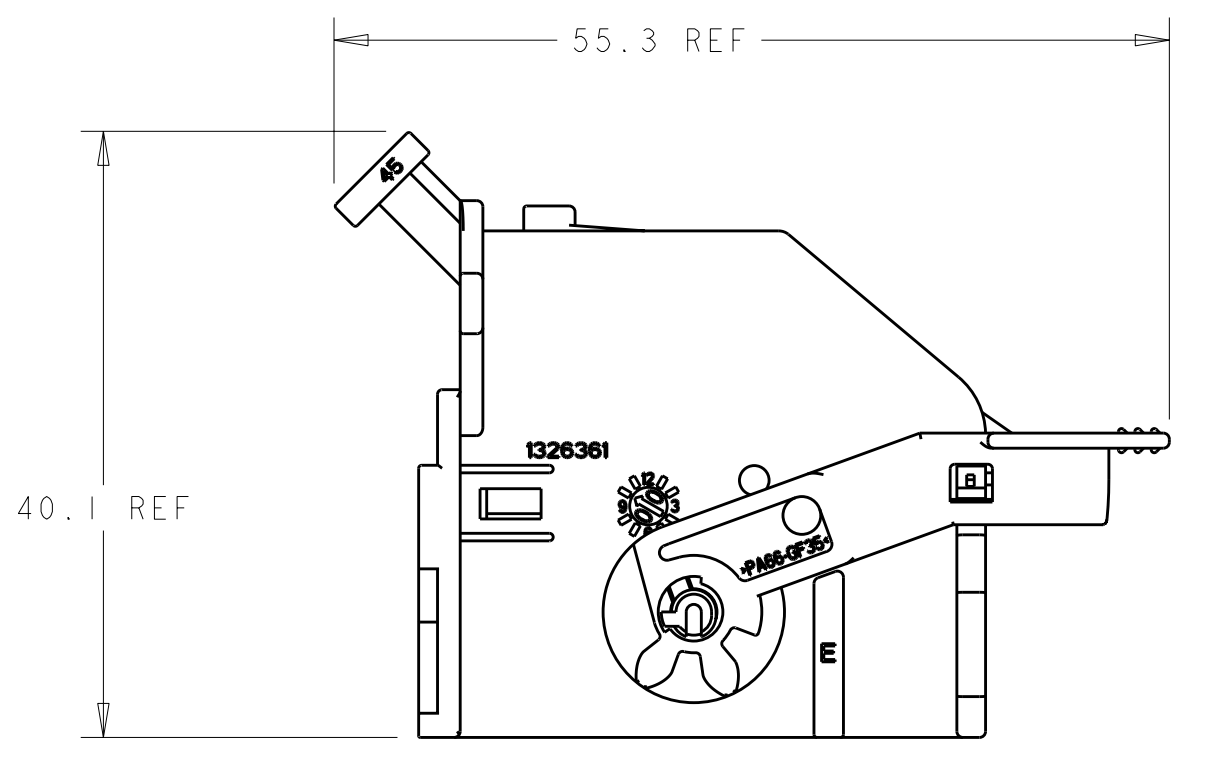


1. MATERIAL: SHIELD - 35% GLASS REINFORCED NYLON. SEE TABLE BELOW FOR COLOR. LEVER - 35% GLASS REINFORCED NYLON. COLOR GRAY.
2. REFERENCE: RECEPTACLE CARRIER, 1326042-1, USED WITH THIS ASSEMBLY.
3. REFERENCE: INTERFACE DETAIL PER DRAWING NO. AAUTO1000-2962-0247
4. REFER TO INSTRUCTION SHEET 408-8662 FOR PRODUCT ASSEMBLY AND DISASSEMBLY PROCEDURES.
5. REFER TO USCAR-2 REV 3 APRIL 2001 FOR PRODUCT SPECIFICATIONS.

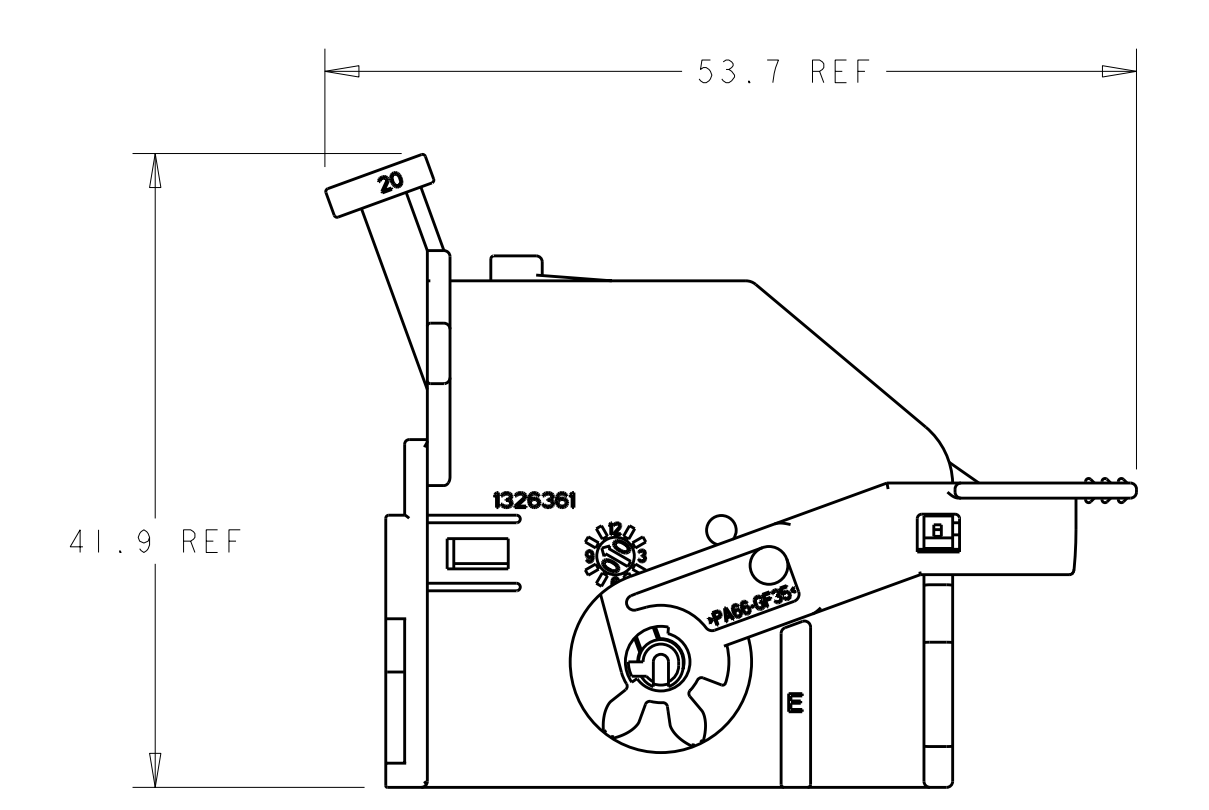
LOC	DIST	REV	DESCRIPTION	DATE	OWN	APPD
FX	00					
	A		REVISED PER EC OK80-0281-02	01MAY2003	SPT	AME
	B		REVISED PER EC OK80-0086-04	30MAR2004	RGV	AME
	C		REVISED PER EC OK80-0196-04	14JUN2004	DLD	AME
	C1		REV PER ECR-10-011823	28MAY2010	VSS	CS



70° WIRE EXIT  
SCALE 2:1



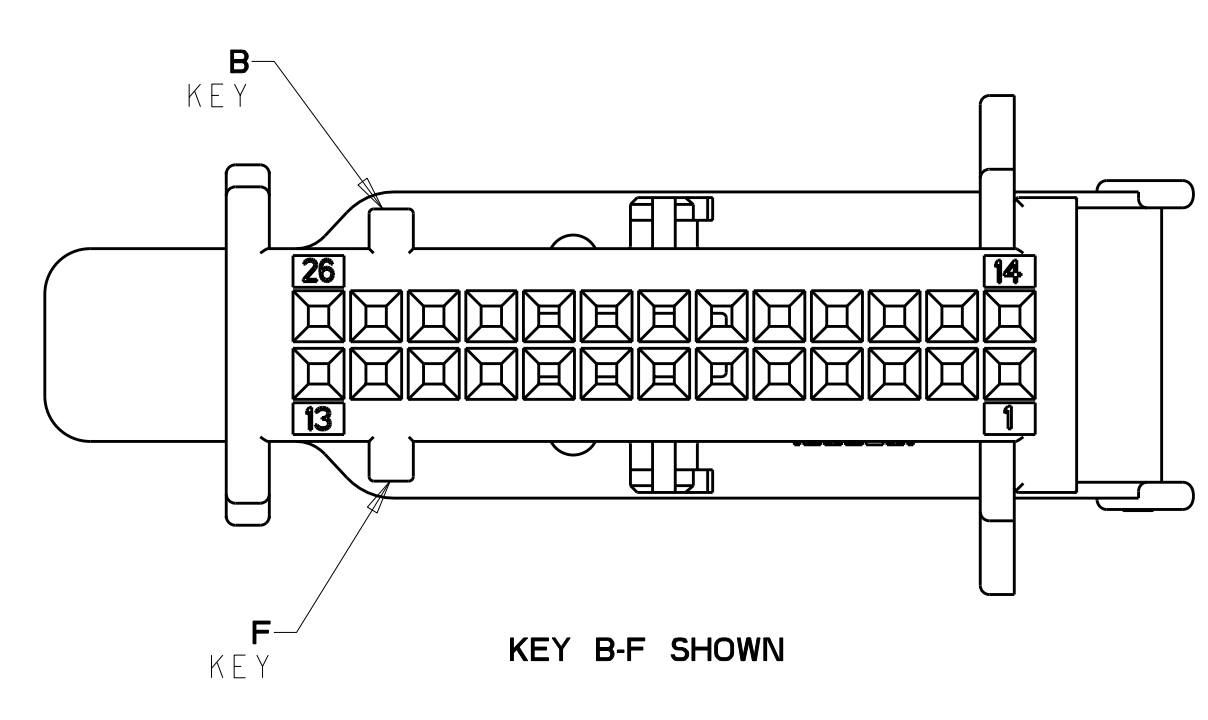
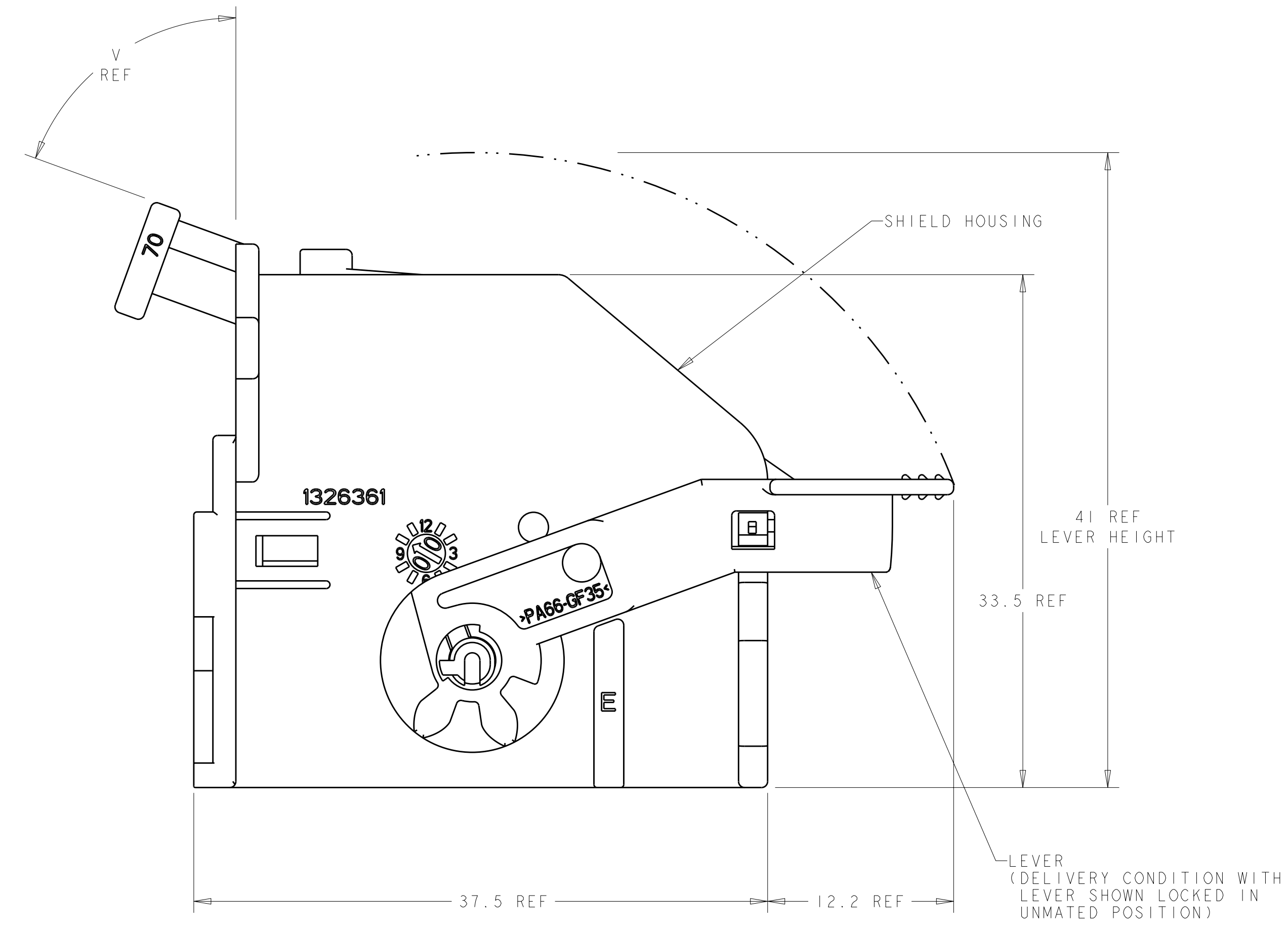
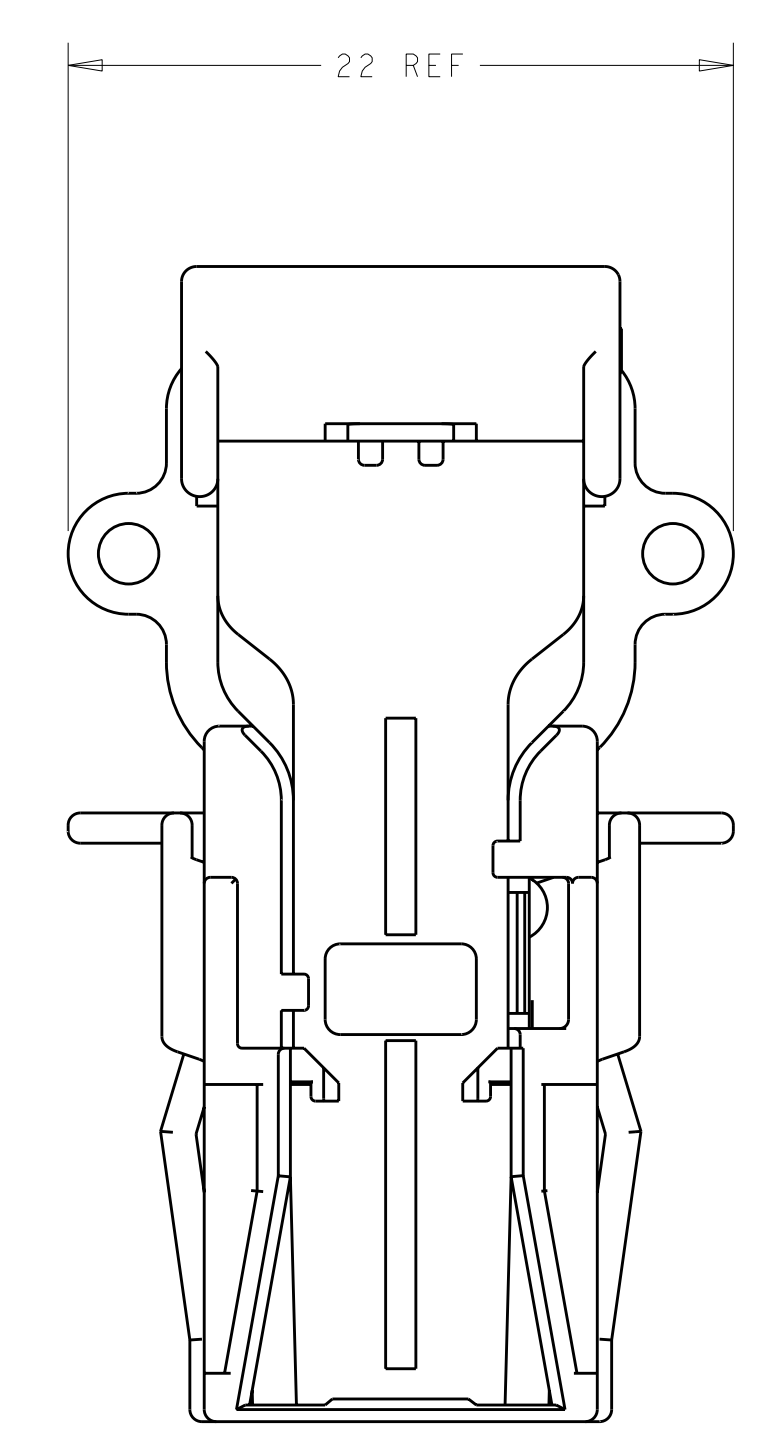
45° WIRE EXIT  
SCALE 2:1



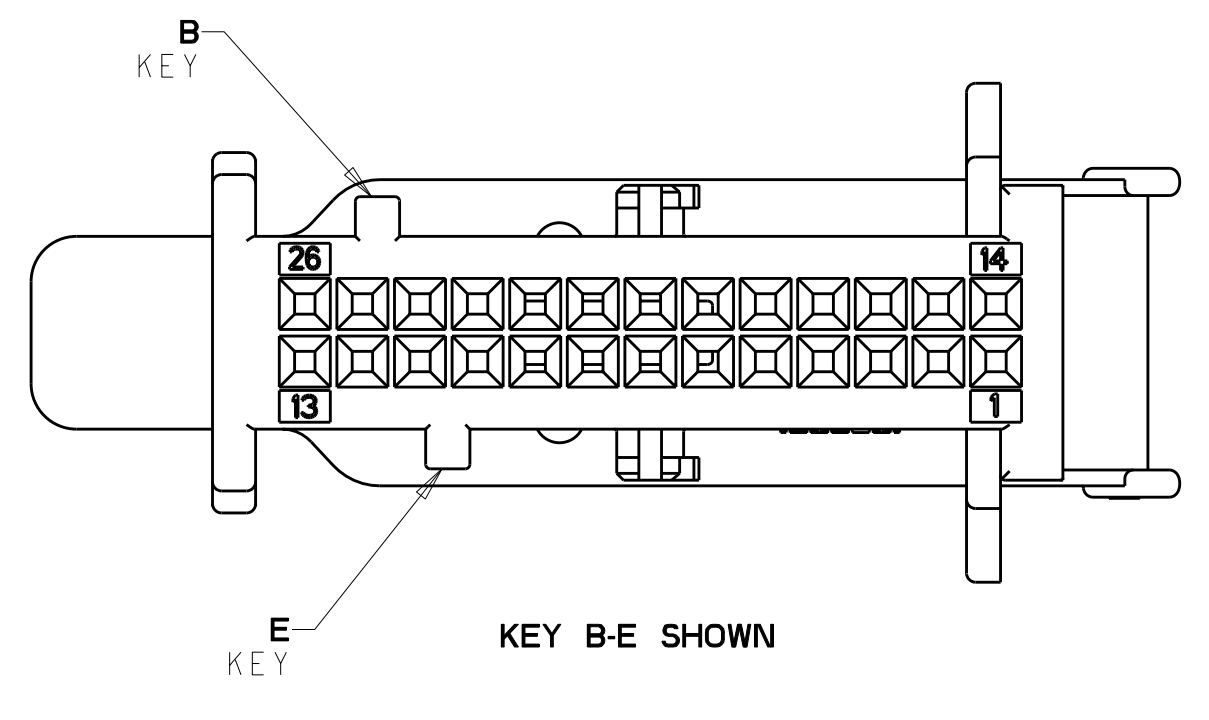
20° WIRE EXIT  
SCALE 2:1

**WIRE EXIT OPTIONS FOR REFERENCE ONLY**

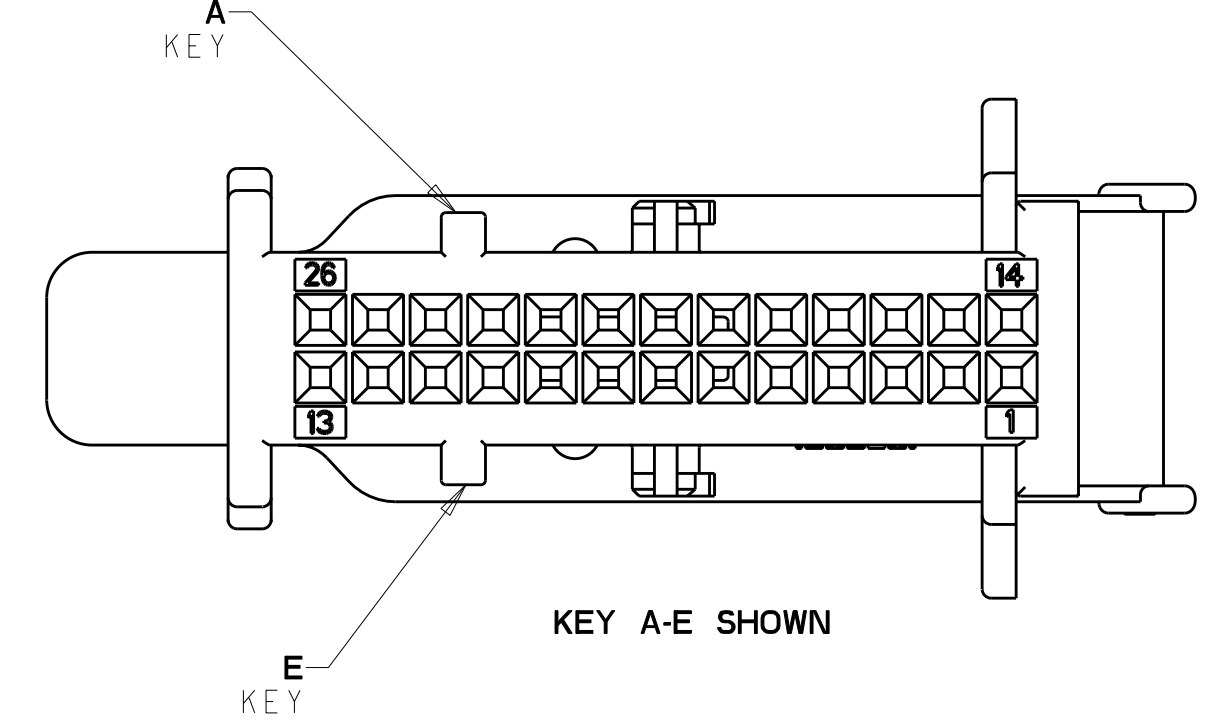
DIM V	COLOR	KEYING OPT.	PART NUMBER
20°	BLUE	B-F	1326362-9
20°	GRAY	B-E	1326362-8
20°	BLACK	A-E	1326362-7
45°	BLUE	B-F	1326362-6
45°	GRAY	B-E	1326362-5
45°	BLACK	A-E	1326362-4
70°	BLUE	B-F	1326362-3
70°	GRAY	B-E	1326362-2
70°	BLACK	A-E	1326362-1



KEY B-F SHOWN



KEY B-E SHOWN

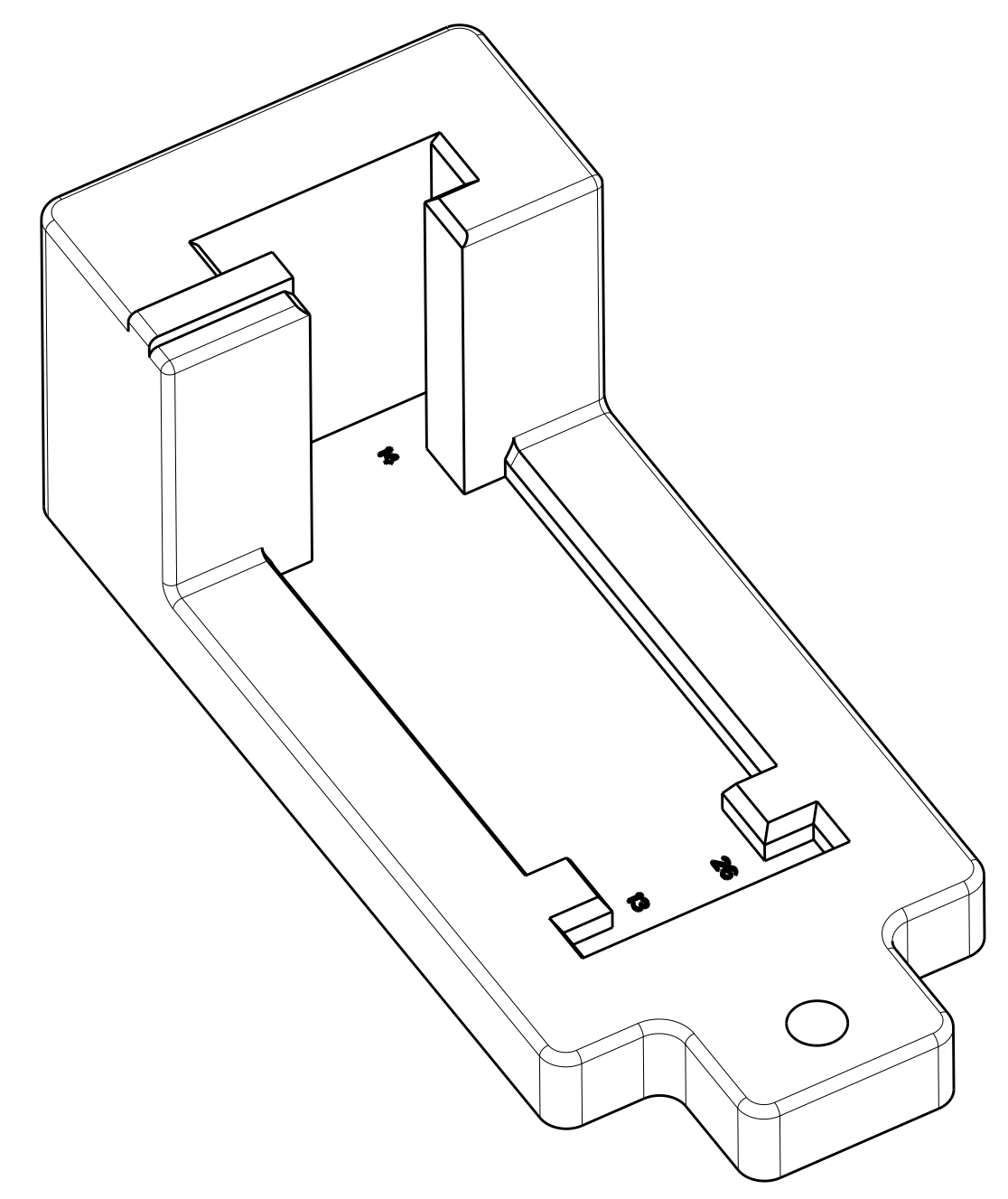
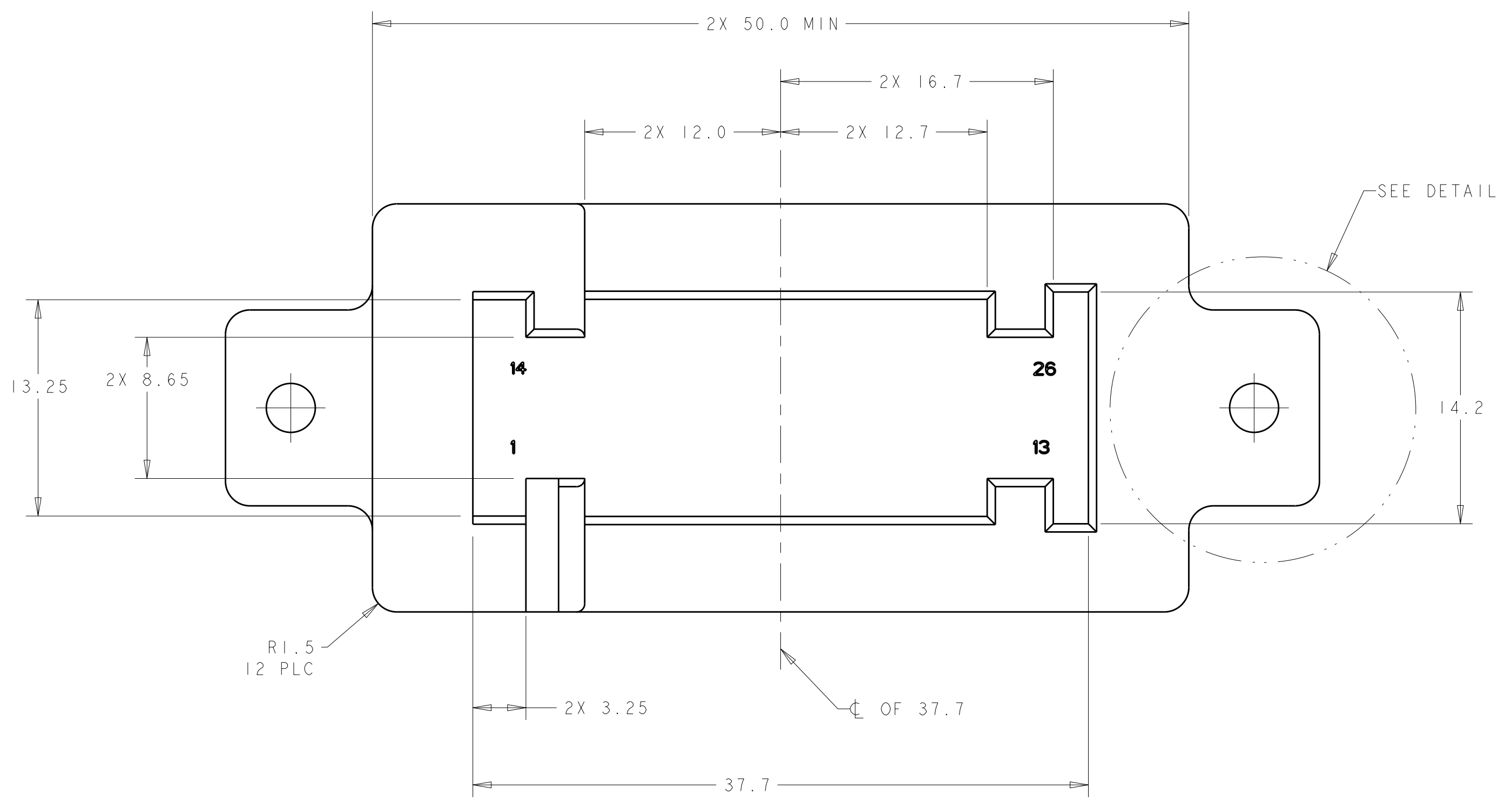


KEY A-E SHOWN

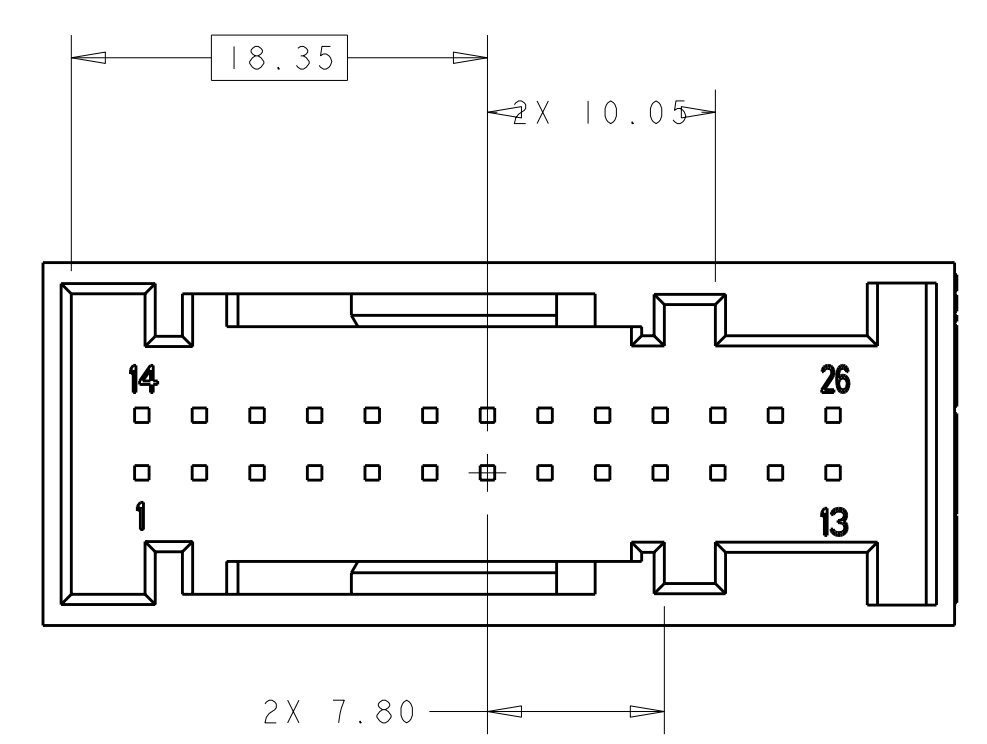
**KEYING OPTIONS FOR REFERENCE ONLY**

DIMENSIONS: mm 		TOLERANCES UNLESS OTHERWISE SPECIFIED: 9 PLC ± 1 PLC ±0.1 5 PLC ±0.05 4 PLC ± ANGLES ± FINISH ±1*		DWN W. HOELSCHER 22FEB02 CHK S. TOBEY 22FEB02 APVD DS TOBEY 22FEB02 NAME PRODUCT SPEC APPLICATION SPEC WEIGHT CUSTOMER DRAWING		Tyco Electronics Harrisburg, PA 17105-3608 Tyco Electronics SHIELD ASSEMBLY - 0.64mm 26 POSITION, LEVER ASSISTED CONNECTOR SIZE CAGE CODE DRAWING NO. RESTRICTED TO A1 00779 C=1326362 SCALE 4:1 SHEET 1 OF 2 REV C1	
-----------------------	--	---	--	---	--	--	--

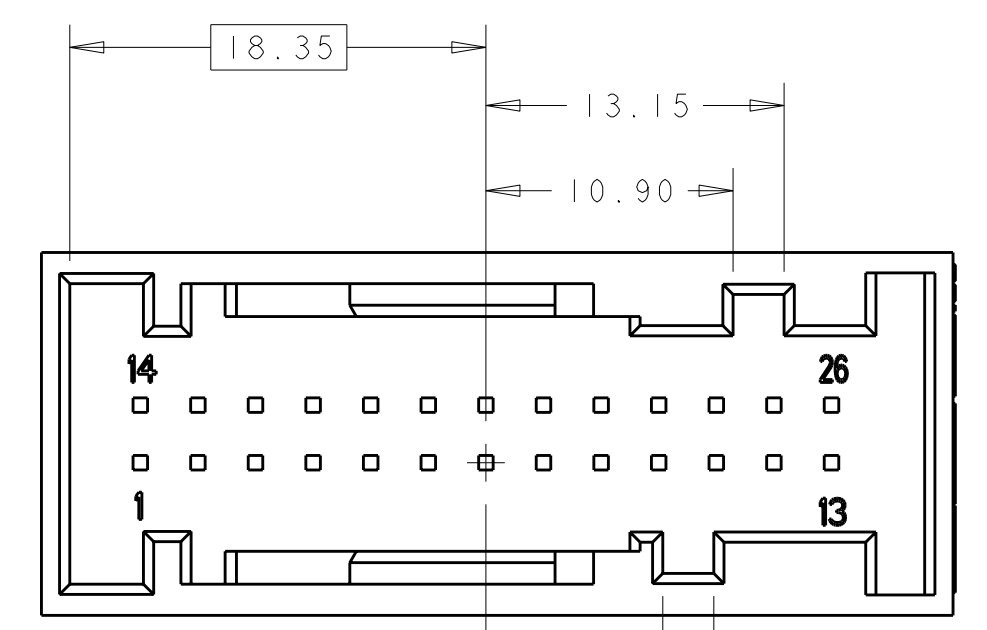
LOC	DIST	REV	DATE	BY	APPD
FX	00				
DESCRIPTION			DATE	DWN	APPD
SEE SHEET 1					



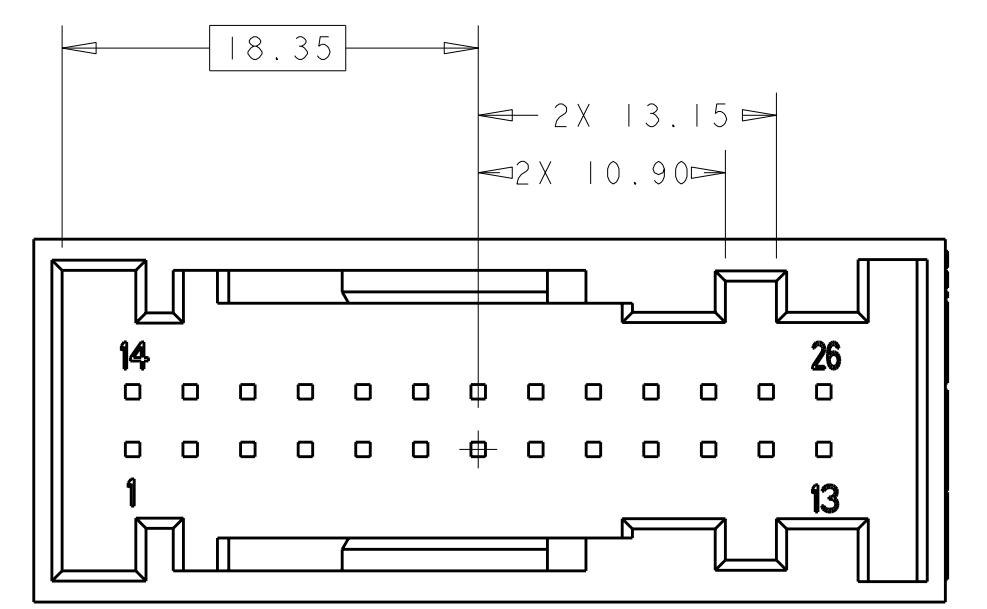
SCALE 3:1



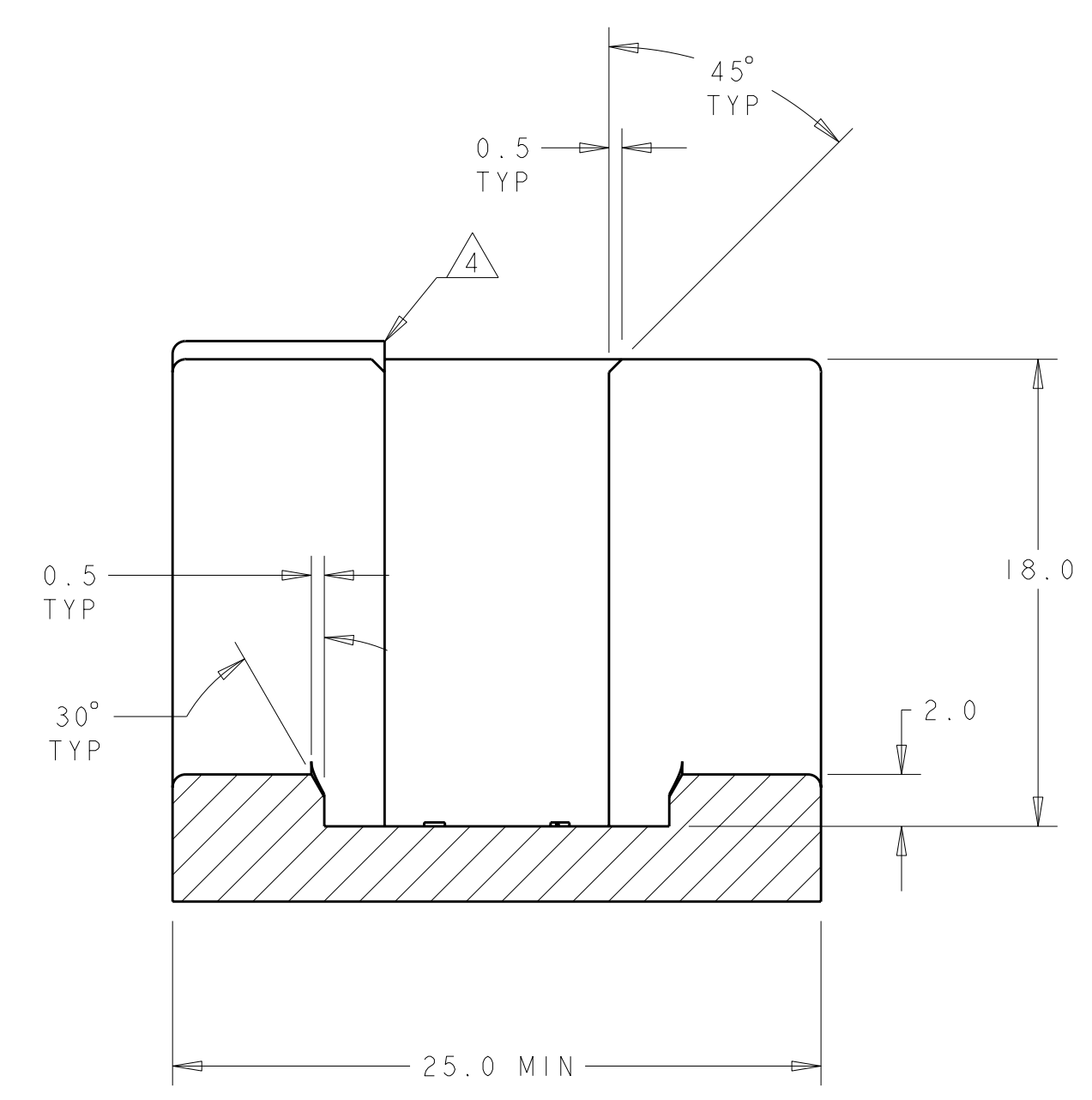
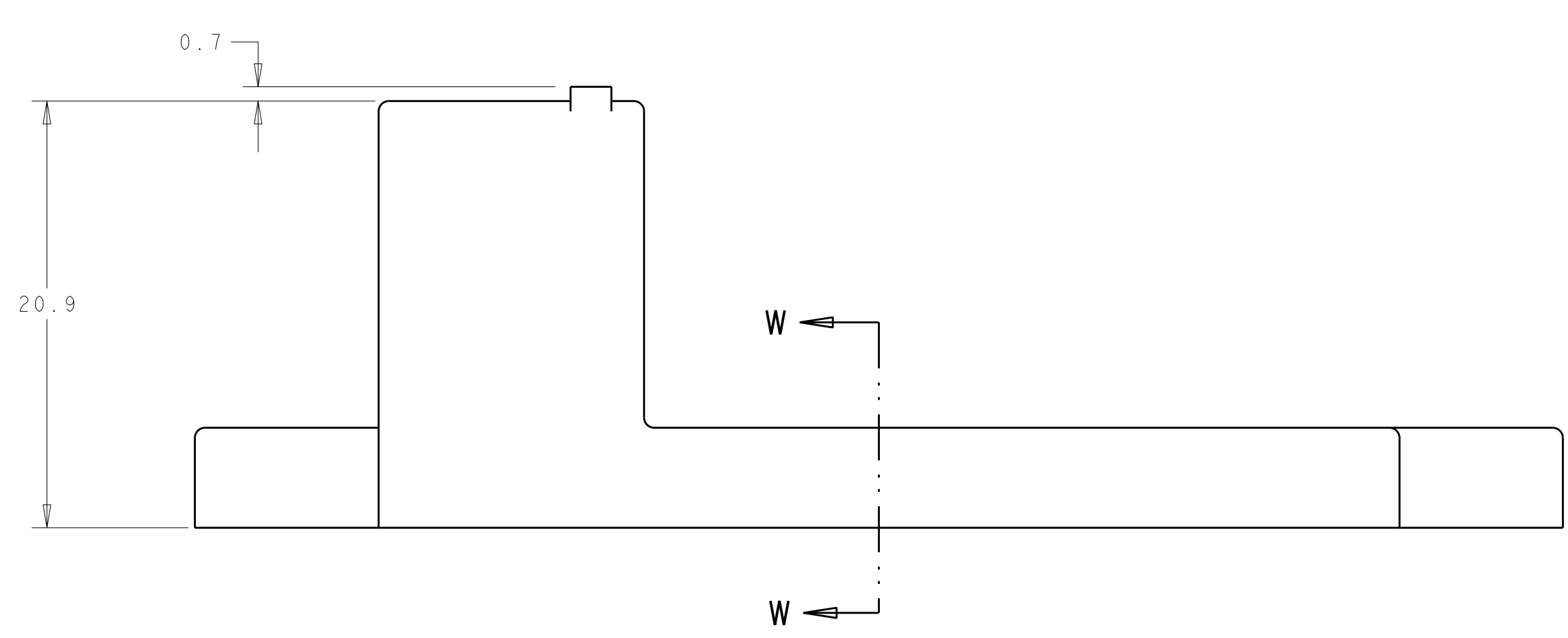
KEY OPTION A-E



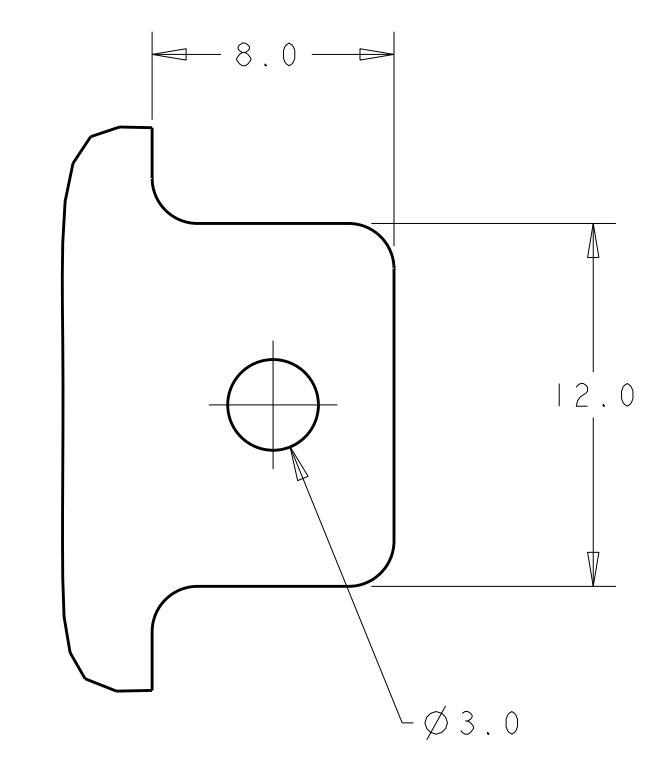
KEY OPTION B-E



KEY OPTION B-F



SECTION W-W



DETAIL X SCALE 4:1

**26 POSITION CONNECTOR FIXTURE**  
 (SHOWN WITH CLEARANCE FOR ALL KEY OPTIONS)

- CONNECTOR FIXTURE SHOULD BE USED TO VERIFY THE RECEPTACLE CARRIER IS PROPERLY SEATED AND LOCKED INTO THE SHIELD ASSEMBLY. THE CONNECTOR WILL NOT FULLY MATE TO THE FIXTURE IF THE RECEPTACLE CARRIER IS OUT OF POSITION.
- RECOMMEND USING A SENSING DEVICE FOR VERIFYING FULLY MATED CONNECTORS. SUCH A DEVICE IS UP TO THE CUSTOMERS DISCRESSION.
- RECOMMENDED MATERIAL: HARDEND STEEL
- NO RADII OR CHAMFER PERMITTED IN SPECIFIED AREA. MUST MAINTAIN 90° EDGE.
- RADII TO BE 0.5 UNLUSS OTHERWISE SPECIFIED.
- OPTIONAL CONSTRAINT FEATURE.

DIMENSIONS: mm 		TOLERANCES UNLESS OTHERWISE SPECIFIED: 0 PLC ± 1 PLC ±0.1 2 PLC ±0.05 3 PLC ± 4 PLC ± ANGLES ± FINISH		DWN W. HOELSCHER 22FEB02 CHK S. TOBEY 22FEB02 APVD DS TOBEY 22FEB02 NAME PRODUCT SPEC APPLICATION SPEC WEIGHT CUSTOMER DRAWING		Tyco Electronics Harrisburg, PA 17105-3608 NAME SHIELD ASSEMBLY - 0.64mm 26 POSITION, LEVER ASSISTED CONNECTOR SIZE CAGE CODE DRAWING NO A11 00779 C=1326362 RESTRICTED TO	
SCALE 4:1			SHEET 2 OF 2		REV C1		

## X-ON Electronics

Largest Supplier of Electrical and Electronic Components

*Click to view similar products for [Automotive Connectors](#) category:*

*Click to view products by [TE Connectivity](#) manufacturer:*

Other Similar products are found below :

[003-018-000](#) [60403001](#) [60993906-B](#) [M902-2131](#) [M902-2161](#) [72.330.1035.1](#) [73.353.4028.0](#) [F119300-B](#) [F166900](#) [F258300-B](#) [F358300-B](#)  
[F407400](#) [F444110](#) [F487000](#) [F509500B-B](#) [827153-1](#) [8N1515-32-24P](#) [9-1326729-8](#) [925474-1](#) [928905-1](#) [964562-4](#) [968782-1](#) [GT17SA-8DS-](#)  
[HU](#) [98891-1012](#) [98947-1016](#) [12004147](#) [12004475-L](#) [12010290](#) [12010309-B](#) [12015454](#) [12020219-B](#) [12020308](#) [12041318-B](#) [12052225-L](#)  
[12052466](#) [12059125](#) [12064869](#) [12004327-B](#) [12010503-B](#) [12015308](#) [12015384](#) [12015909](#) [1-21030-1](#) [12041254](#) [12041318](#) [12047946-B](#)  
[12047957](#) [12047957-L](#) [12059473](#) [12066261](#)