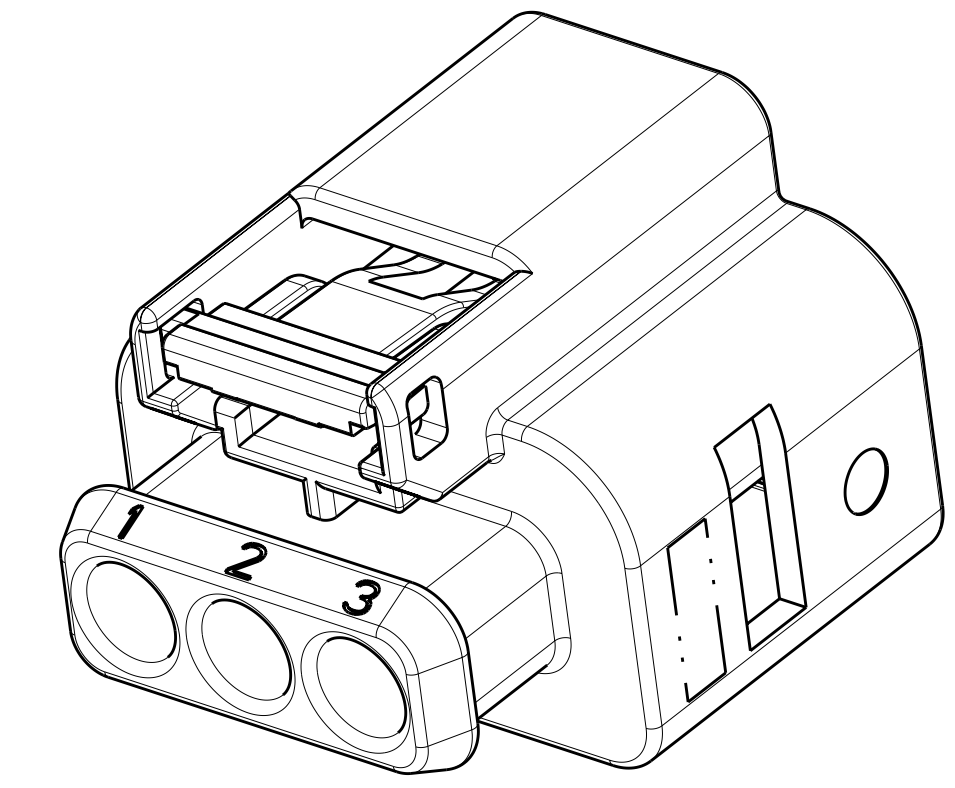
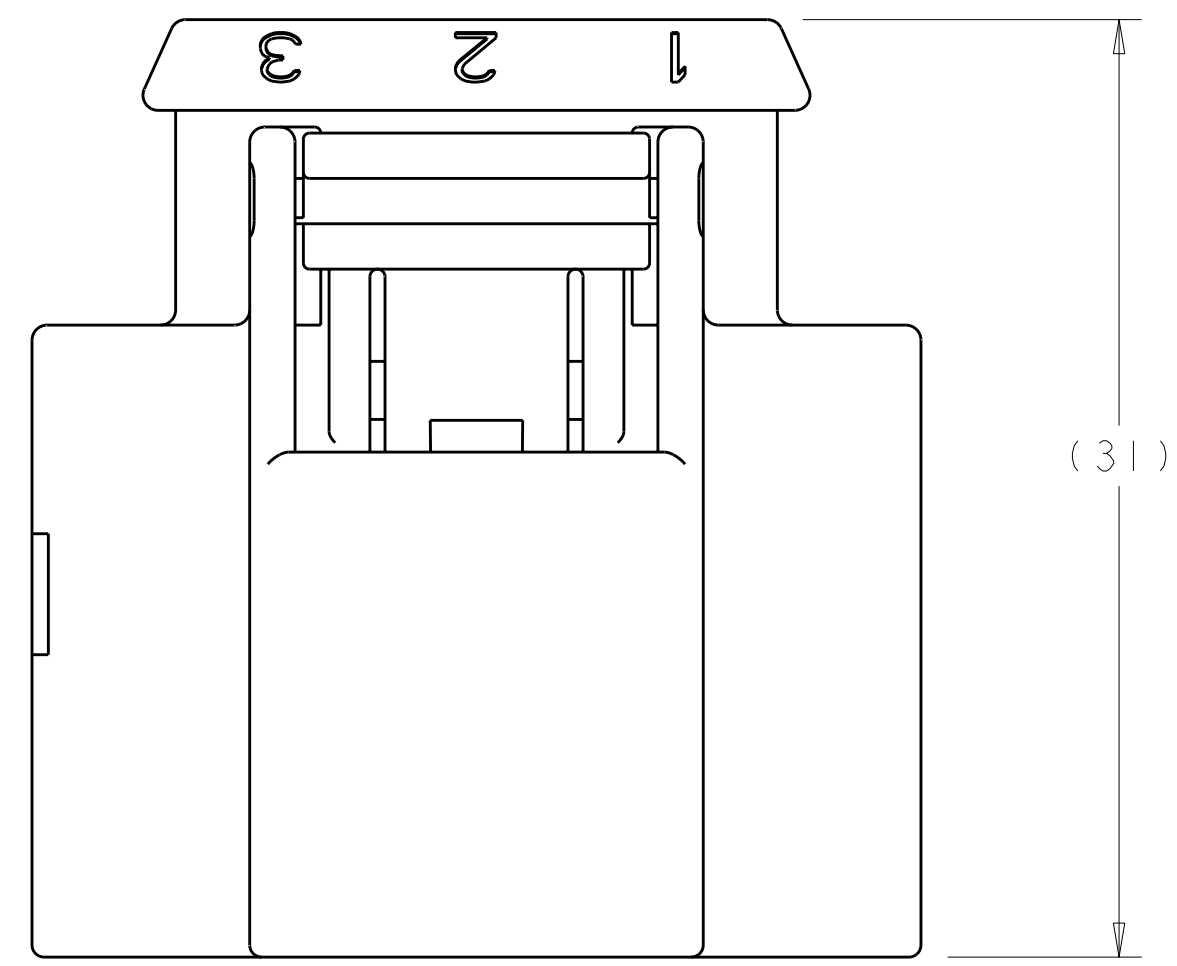


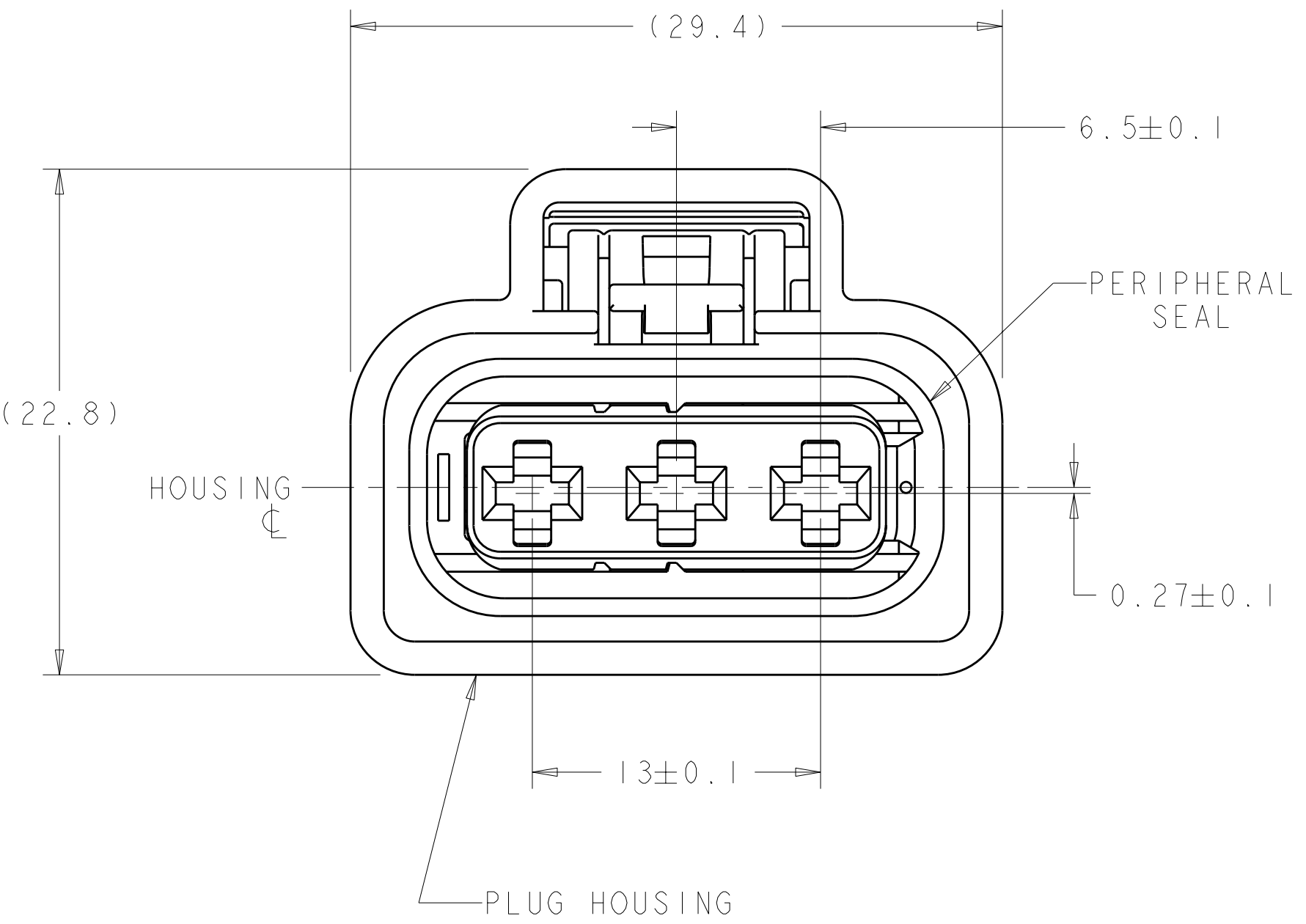
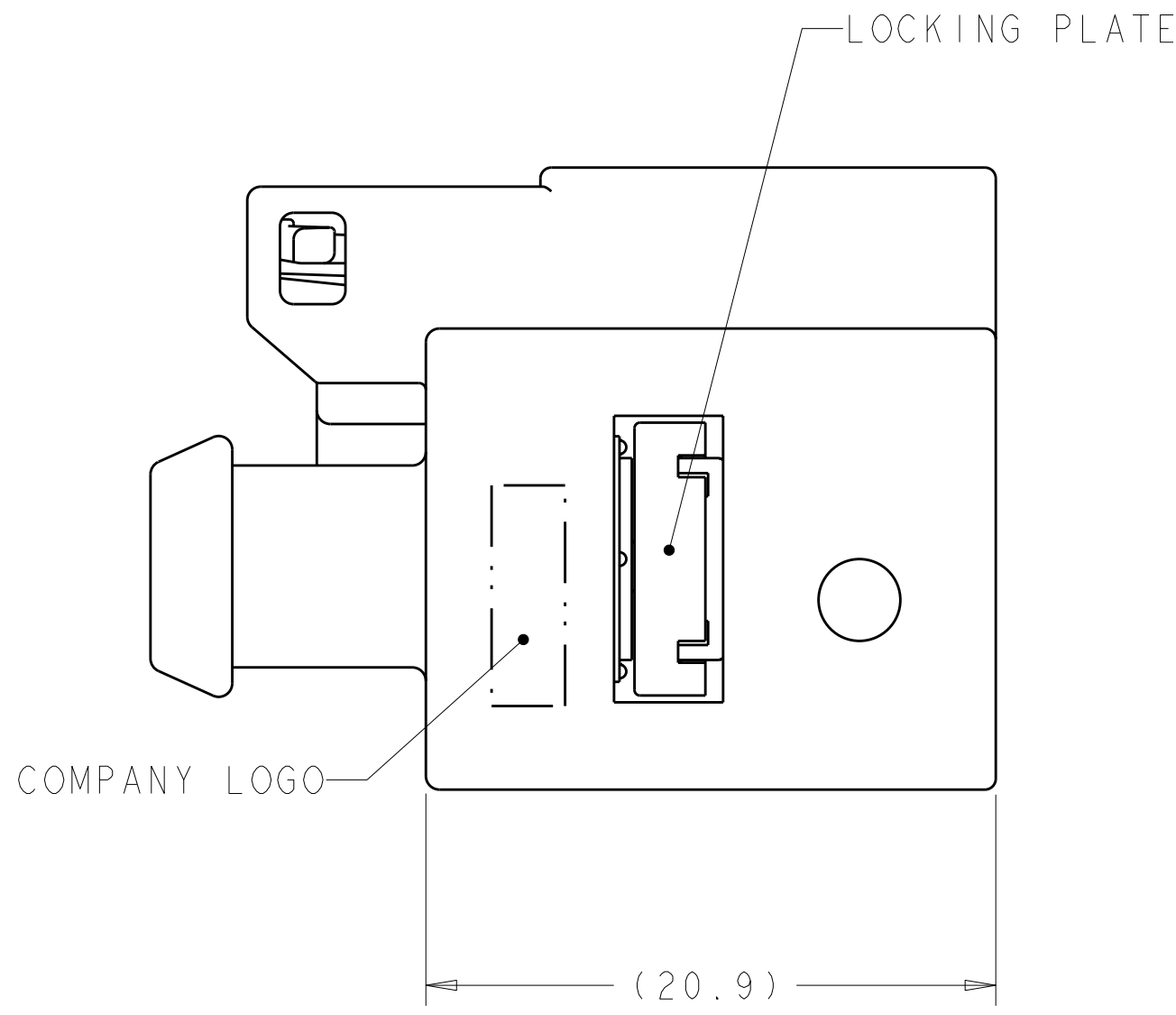
LOC	DIST	REVISIONS					
AA	00	P	LTN	DESCRIPTION	DATE	DWN	APVD
		6		REVISED PER ECO-10-003029	10FEB2010	DD	TW
		A		RELEASED PER ECO-10-006107	24MAR2010	DD	TW

△ MATERIAL: HOUSING - POLYAMIDE MOLDING COMPOUND, 35% GLASS FILLED
 COLOR: BLACK.
 LOCKING PLATE - POLYESTER MOLDING COMPOUND, 15% GLASS
 FILLED, COLOR: YELLOW.
 PERIPHERAL SEAL - VMO SILICONE RUBBER, 40 SHORE,
 COLOR: BURNT ORANGE.

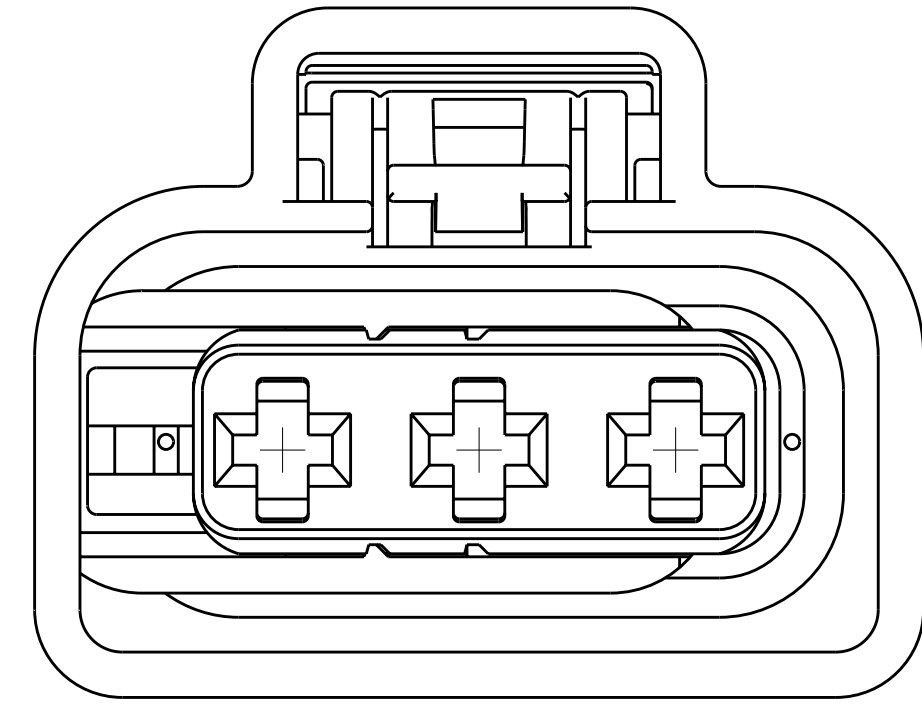
- CONTACT CIRCUITS DESIGNED TO RECEIVE TYCO ELECTRONICS (TE) 2.8 MCP RECEPTACLES AND WIRE SEALS. REFER TO TE C1355036. WIRE SIZES ACCOMODATED BY THIS DESIGN RANGE FROM 18AWG (0.8mm²) TO 14AWG (2.0mm²).
- NOTE DELETED.
- MATES WITH 3 POSITION CAP ASSEMBLY, TE PN 1326744-1, AND WIRE DRESS, TE PN 1326464-1.
- MATES WITH A CONNECTOR THAT CONFORMS TO THE REQUIREMENTS DEFINED IN SAE J2577 SEP 05. (TESTING UTILIZED AG PLATED PLUG RECEPTACLES AND SN PLATED CAP BLADES.)



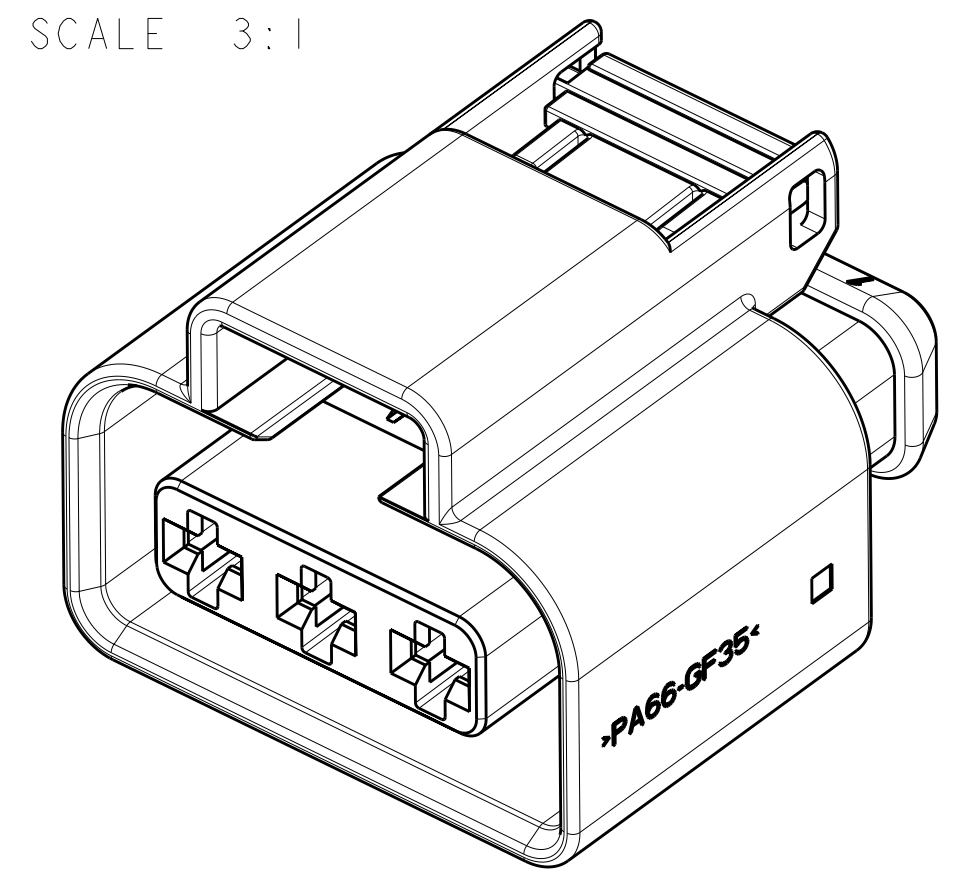
SCALE 3:1



(LOCKING PLATE SHOWN IN LOCKED POSITION)



(LOCKING PLATE SHOWN IN PRE-LOCK POSITION)



SCALE 3:1

1326460-1
 PART NUMBER

DIMENSIONS: mm 		TOLERANCES UNLESS OTHERWISE SPECIFIED: 0 PLC ± 1 PLC ±0.3 2 PLC ±0.2 3 PLC ± 4 PLC ± ANGLES ± FINISH ±		DWN B. HOLTZCLAW 17APR2006 CHK T. WOJTACKI 17APR2006 APVD T. WOJTACKI 17APR2006		Tyco Electronics Harrisburg, PA 17105-3608	
MATERIAL: △ FINISH:		WEIGHT:		PRODUCT SPEC: 108-2430 APPLICATION SPEC:		NAME: ASSEMBLY, PLUG, SEALED, 3 POSITION MCP 2.8 SIZE: CAGE CODE: DRAWING NO: A100779C=1326460 RESTRICTED TO:	
CUSTOMER DRAWING				SCALE: 4:1		SHEET 1 OF 1 REV A	

X-ON Electronics

Largest Supplier of Electrical and Electronic Components

Click to view similar products for [Automotive Connectors](#) category:

Click to view products by [TE Connectivity](#) manufacturer:

Other Similar products are found below :

[003-018-000](#) [60403001](#) [60993906-B](#) [M902-2131](#) [M902-2161](#) [72.330.1035.1](#) [73.353.4028.0](#) [F119300-B](#) [F166900](#) [F258300-B](#) [F358300-B](#)
[F407400](#) [F444110](#) [F487000](#) [F509500B-B](#) [827153-1](#) [8N1515-32-24P](#) [9-1326729-8](#) [925474-1](#) [928905-1](#) [964562-4](#) [968782-1](#) [GT17SA-8DS-](#)
[HU](#) [98891-1012](#) [98947-1016](#) [12004147](#) [12004475-L](#) [12010290](#) [12010309-B](#) [12015454](#) [12020219-B](#) [12020308](#) [12041318-B](#) [12052225-L](#)
[12052466](#) [12059125](#) [12064869](#) [12004327-B](#) [12010503-B](#) [12015308](#) [12015384](#) [12015909](#) [1-21030-1](#) [12041254](#) [12041318](#) [12047946-B](#)
[12047957](#) [12047957-L](#) [12059473](#) [12066261](#)