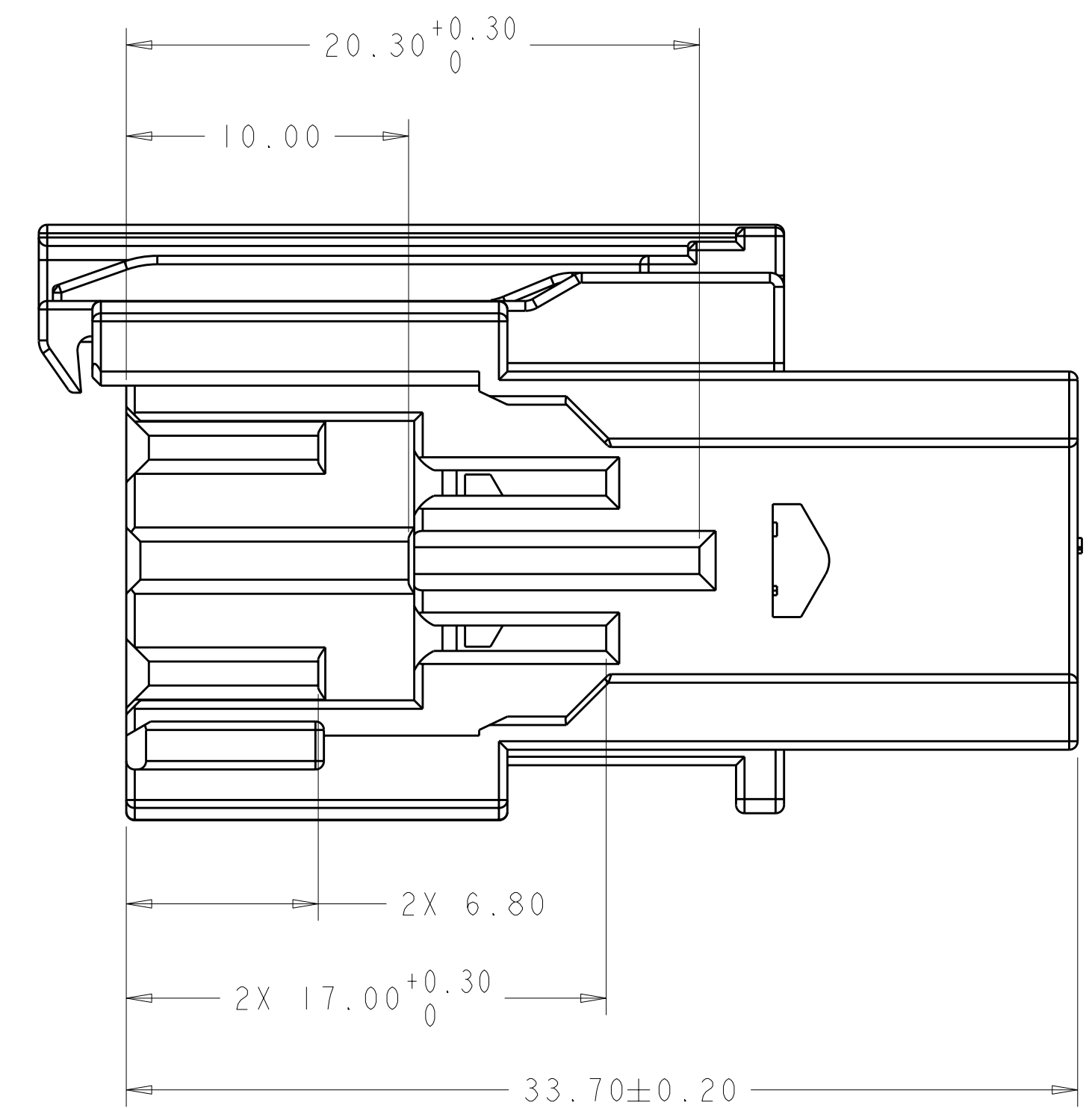
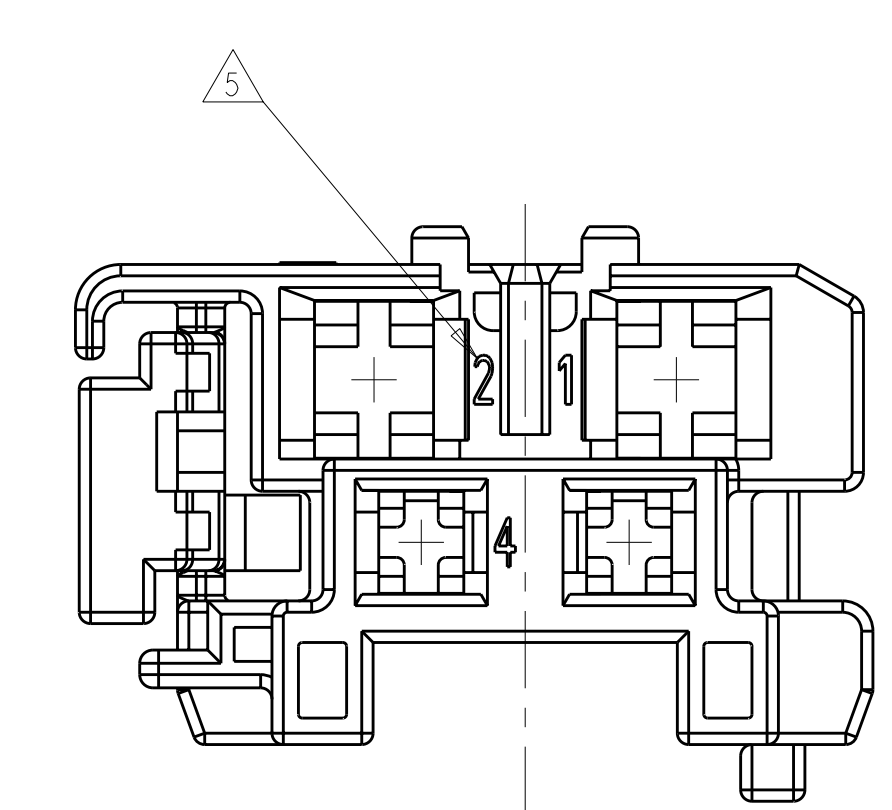
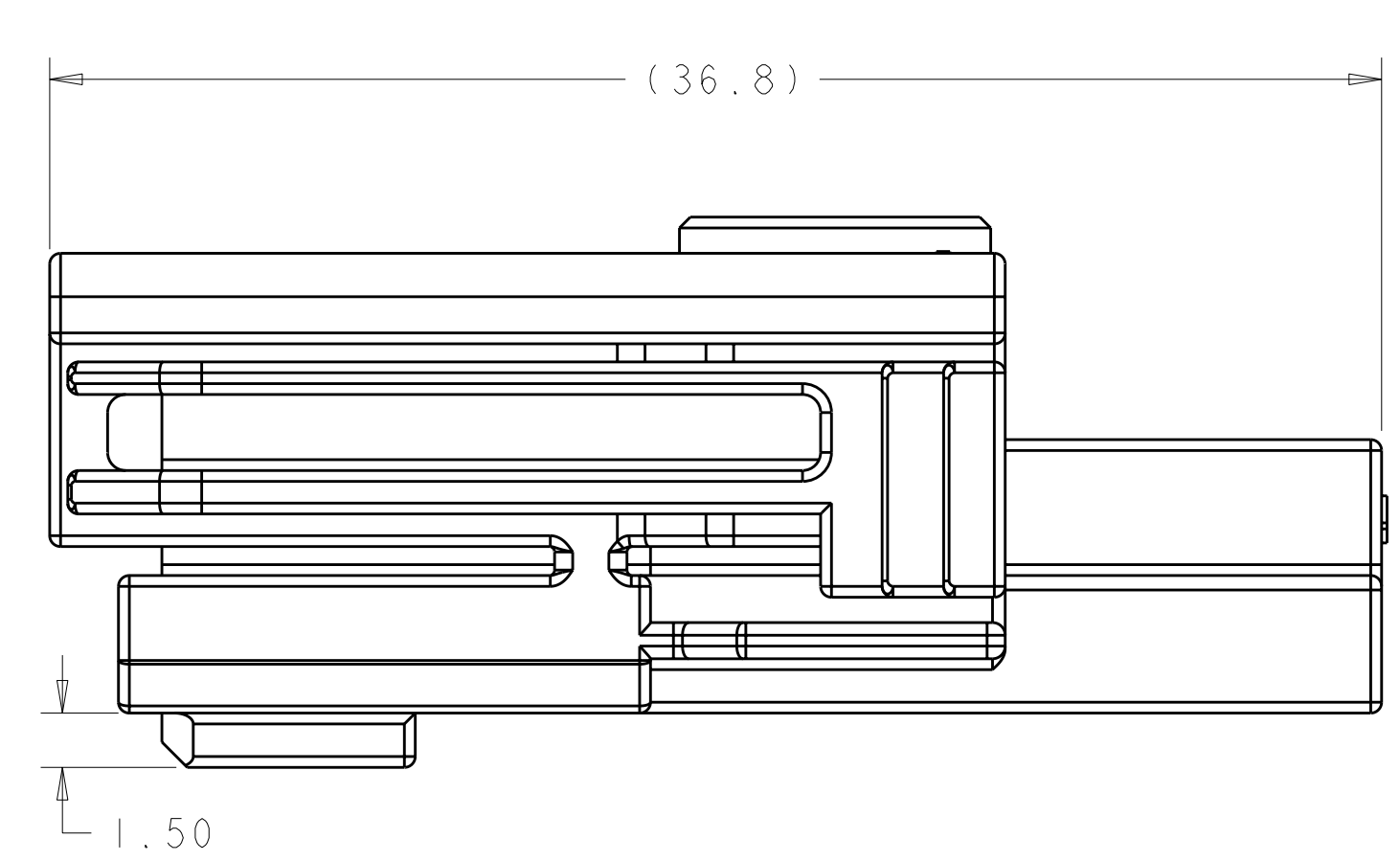
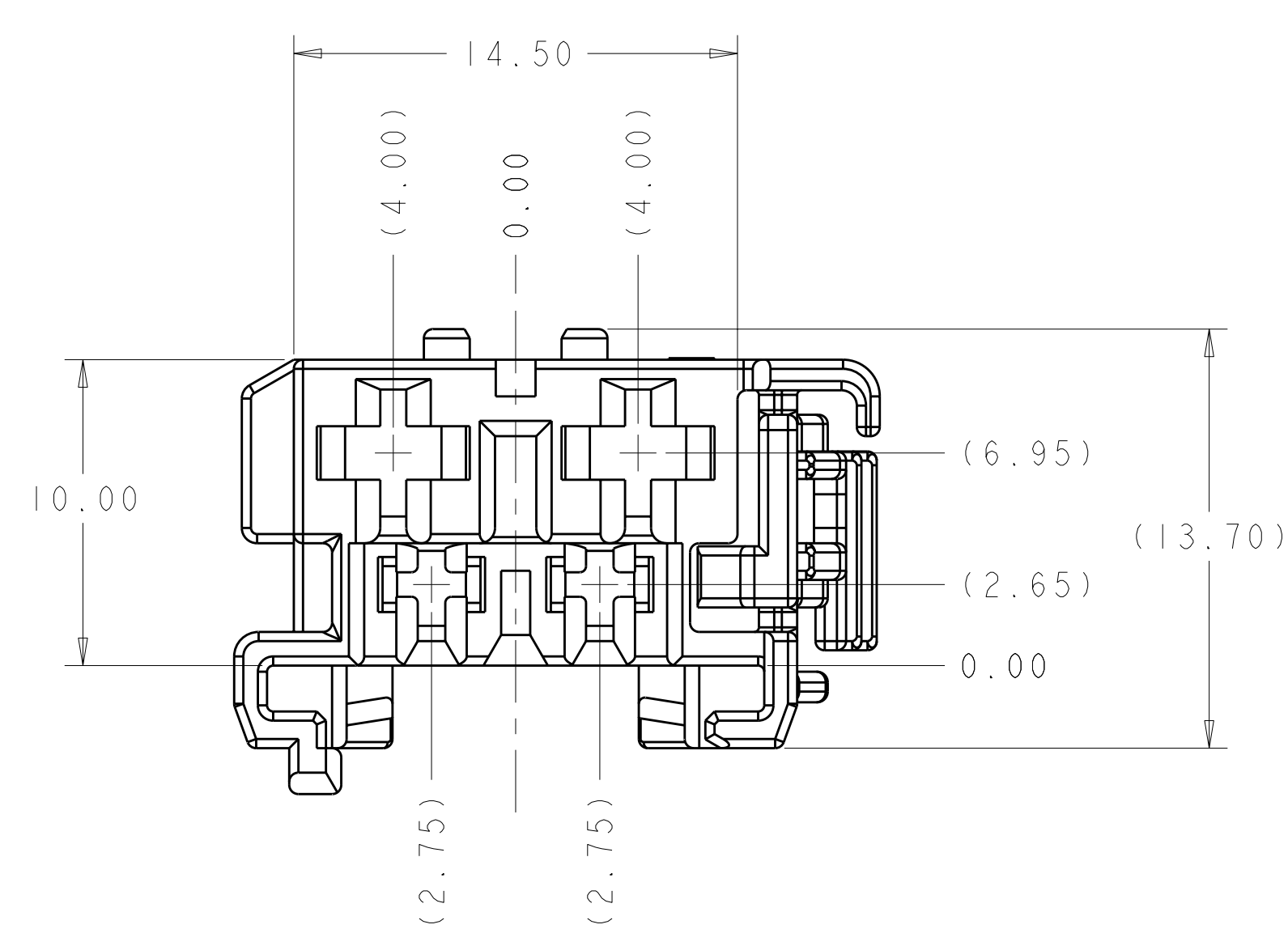
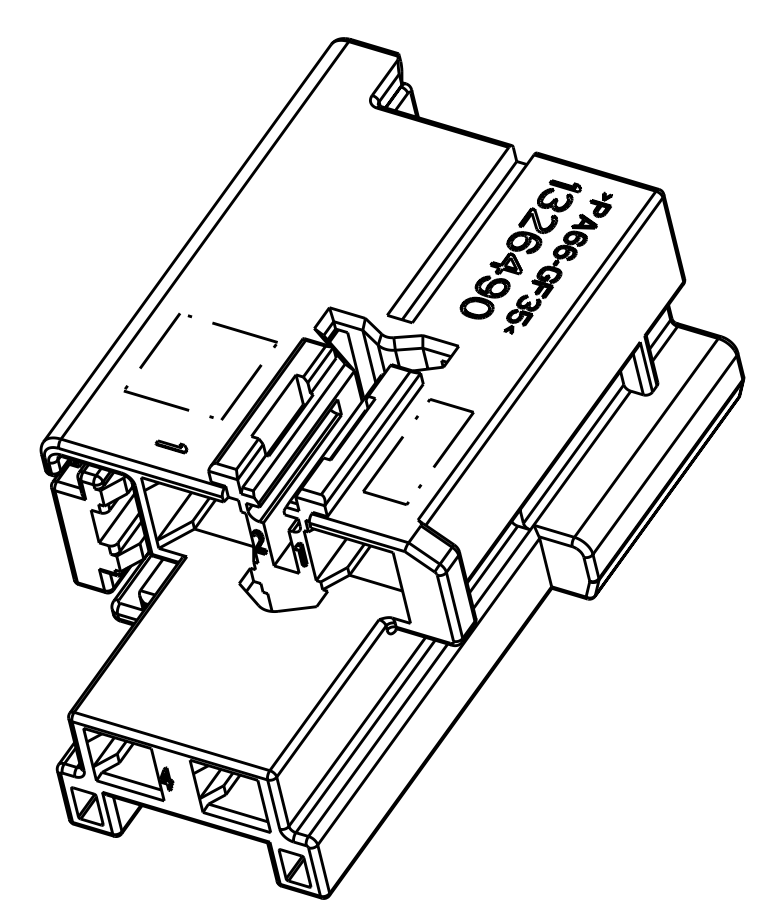
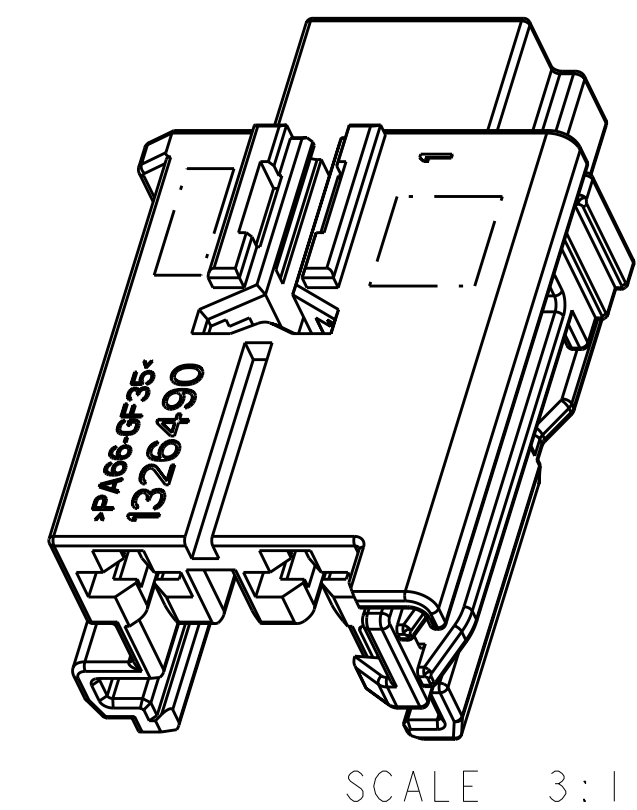
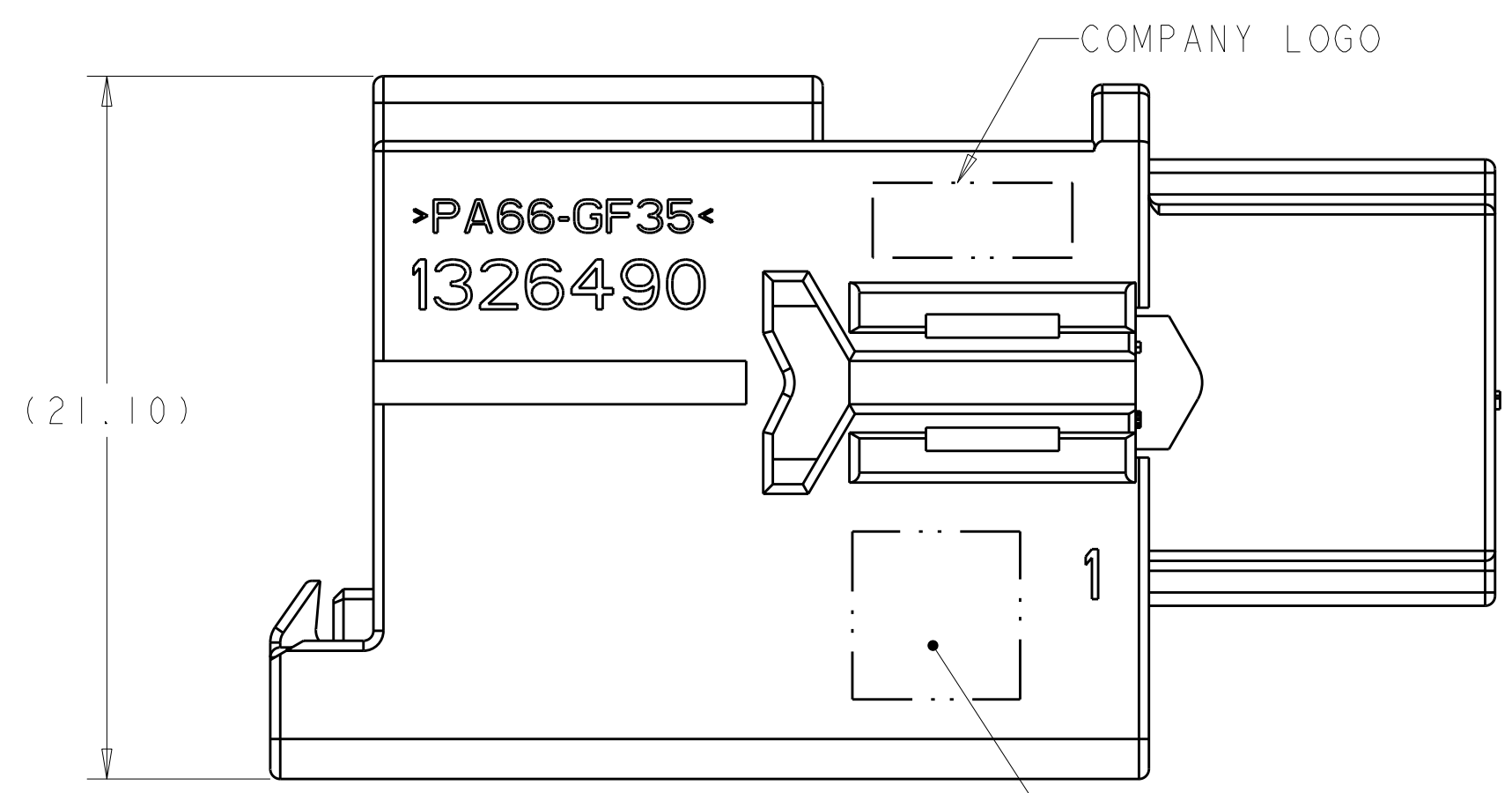


LOC	DIST	REVISIONS			
P	LTW	DESCRIPTION	DATE	DWN	APVD
E		REVISED PER EC 0K40-0277-04	17AUG2004	APH	KLC
F		REVISED PER EC 0K40-0364-04	14OCT2004	DLD	KLC
G		REVISED PER ECR-07-017319	07AUG2007	AH	BK
G1		REV PER ECR-10-012906	22JUN2010	VSS	DZ

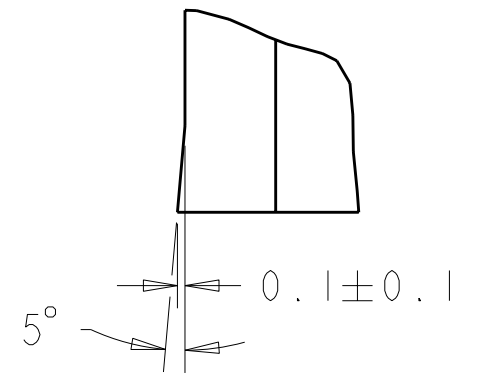


- △ MATERIAL : 35% GLASS REINFORCED 6/6 NYLON, COLOR : SEE PART NUMBER TABLE.
- △ DATE CODE, COMPANY LOGO, PART NUMBER, MATERIAL IDENTIFIER, AND CAVITY ID LOCATED APPROXIMATELY AS SHOWN.
- 3. NOTE: EXCEPTION TO SAE/USCAR-2 REV.3 (SECTION 5.4.2) THAT SPECIFIES UNMATING FORCE WITH LATCH ENGAGED = 110N (ACTUAL MEAN FORCE VALUE DETERMINED IN PV TESTING FOR FULLY POPULATED 4P ASSEMBLY = 85N) DEVIATION APPROVED BY DAIMLER CHRYSLER ENGINEERING
- 4. AFTER TERMINAL INSERTION, ASSEMBLE SECONDARY LOCK P/N 968183-1 FOR COMPLETE CONNECTOR ASSEMBLY.
- △ 5. CIRCUIT IDENTIFICATION MARKING TO BE LOCATED APPROXIMATELY AS SHOWN.
- △ 6. CONNECTOR TO MATE WITH BOSCH BRUSHCARD INTERFACE.
- △ 7. DIMENSION APPLIES ACROSS INDICATED HEIGHT.
- 8. CIRCUITS 1) & 2 ACCEPT TE JUNIOR POWER TIMER CONTACT, P/N 927771-X.
- 9. CIRCUITS 3) & 4 ACCEPT TE MICRO TIMER III CONTACT, P/N 968052-X.

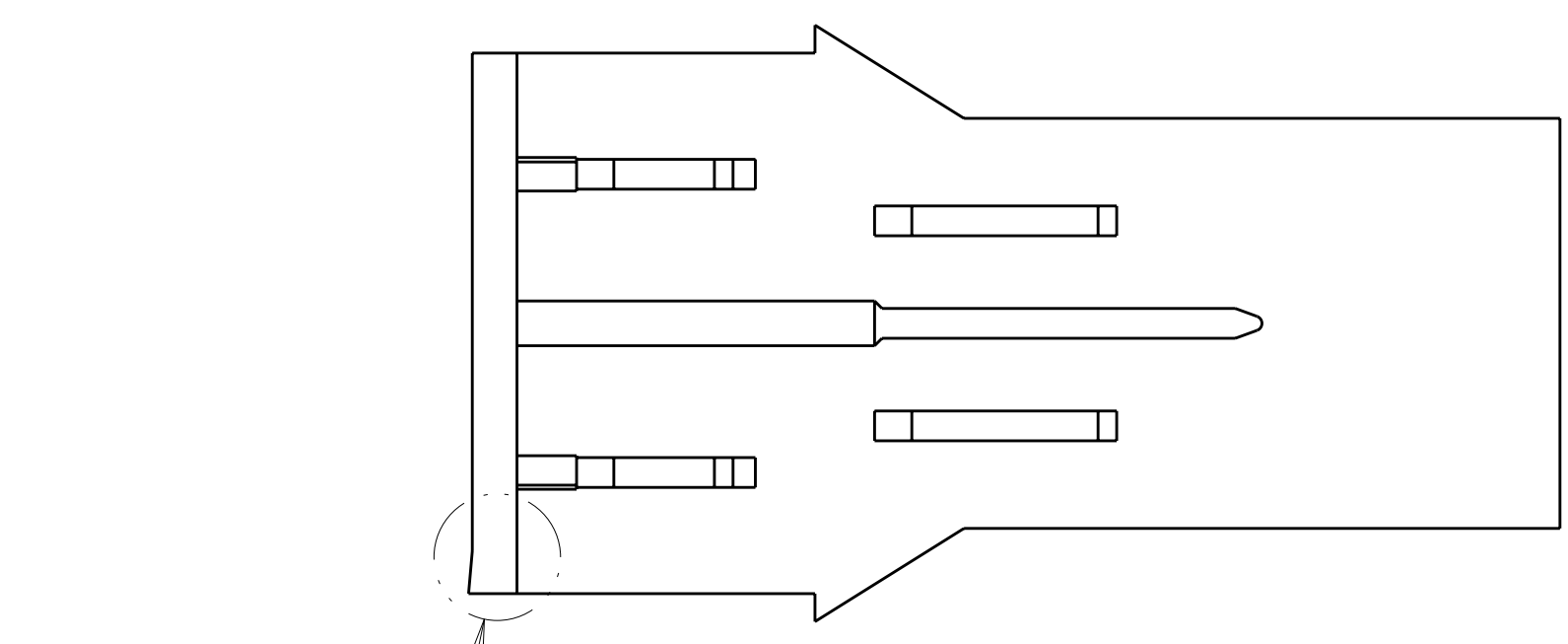
NATURAL	1326490-5
GRAY	1326490-3
COLOR	PART NUMBER

DIMENSIONS: mm 		TOLERANCES UNLESS OTHERWISE SPECIFIED: 9 PLC ±.3 1 PLC ±0.3 5 PLC ±0.15 4 PLC ±. ANGLES ±. FINISH #1		DWN J. PATTERSON 20NOV2002 CHK J. PATTERSON 20NOV2002 APVD D. BROWN 20NOV2002 PRODUCT SPEC APPLICATION SPEC WEIGHT CUSTOMER DRAWING		Tyco Electronics Harrisburg, PA 17105-3608 NAME RECEPTACLE HOUSING, 4 POSITION, 2X JPT CONTACTS + 2X MT3 CONTACTS SIZE CAGE CODE DRAWING NO RESTRICTED TO A 00779 C=1326490 SCALE 5:1 SHEET 1 OF 2 REV G1	
-----------------------	--	--	--	---	--	--	--

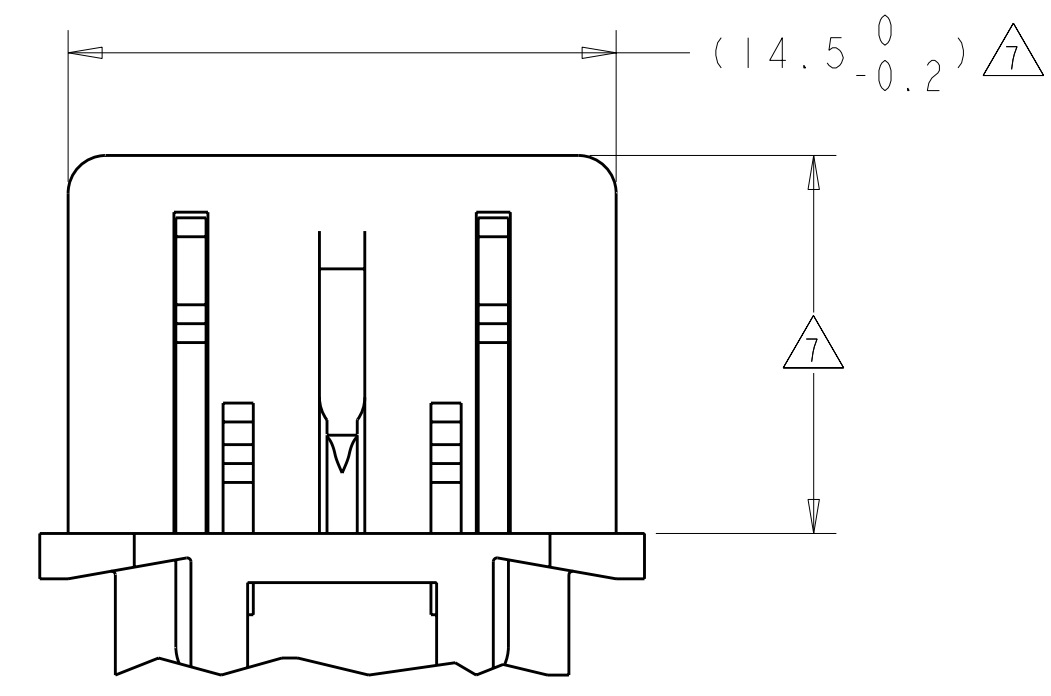
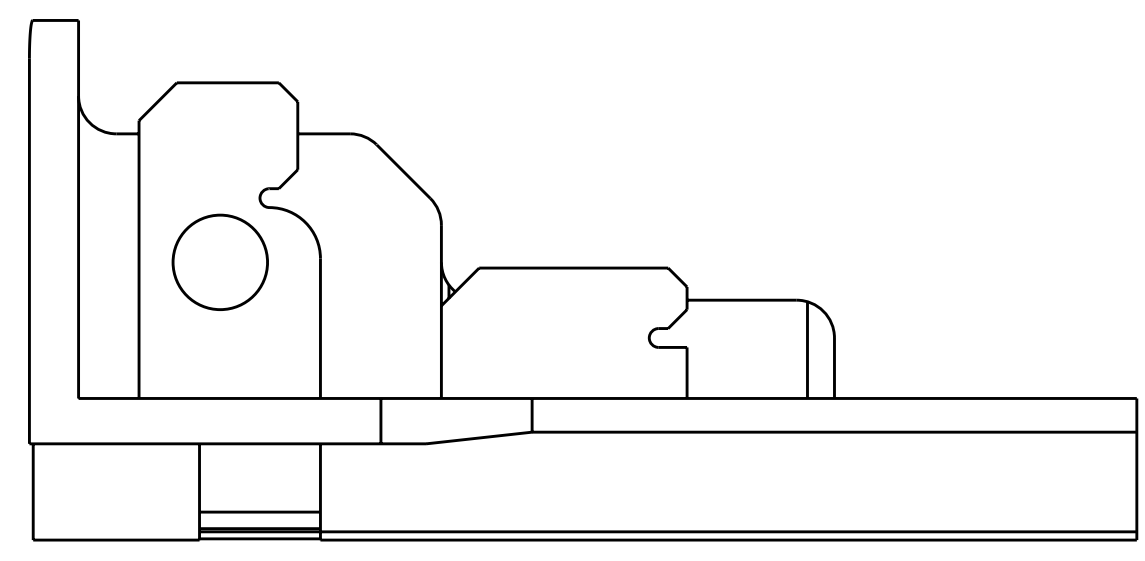
LOC	DIST	REVISIONS			
REV	DATE	DESCRIPTION	DATE	DWN	APVD
GE	00	SEE SHEET 1	-	-	-



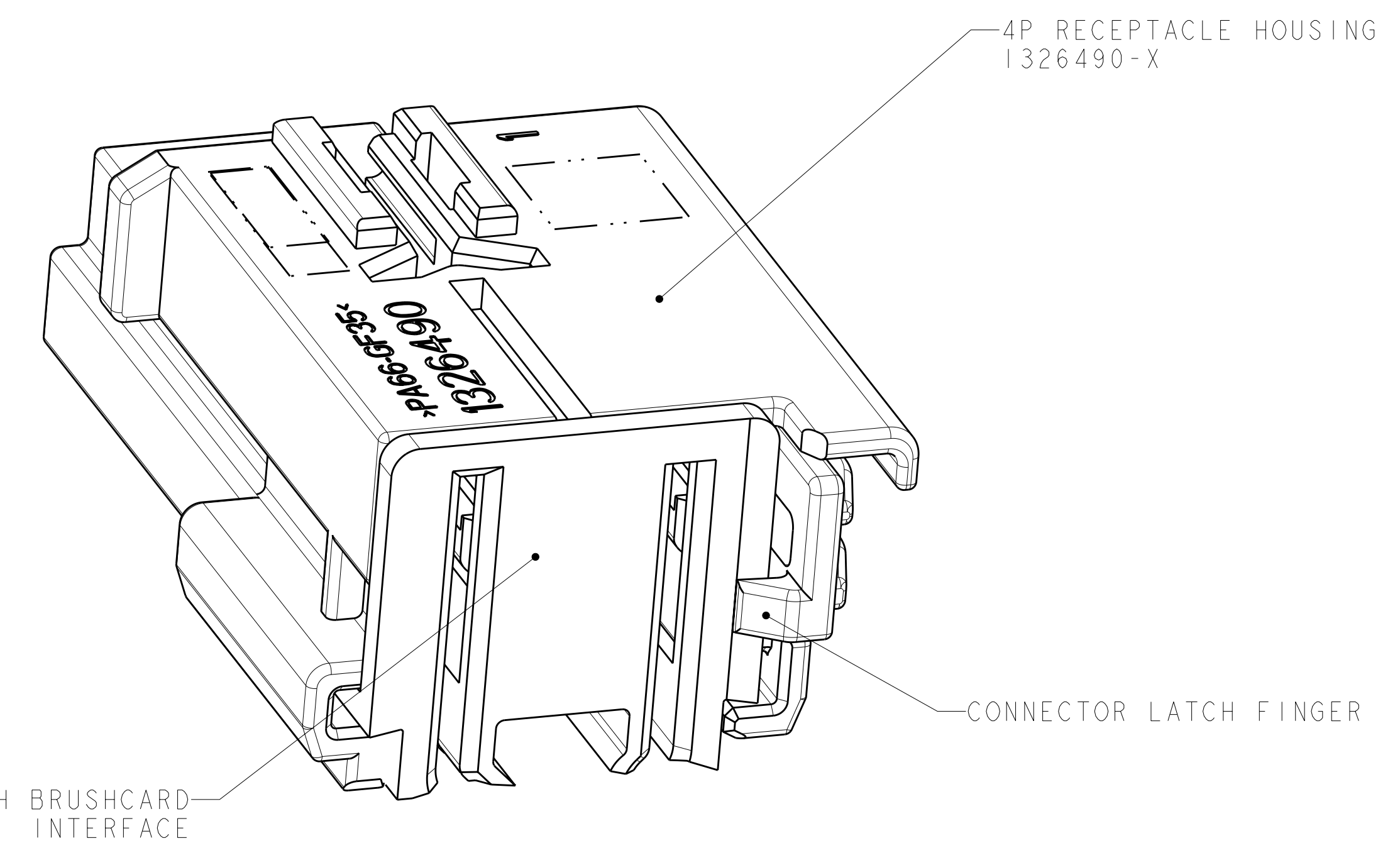
DETAIL A
SCALE 10:1



SEE DETAIL A



△ BOSCH BRUSHCARD INTERFACE



SCALE 6:1

<small>THIS DRAWING IS UNPUBLISHED. RELEASED FOR PUBLICATION. ALL RIGHTS RESERVED. THIS IS SUBJECT TO CHANGE WITHOUT NOTICE. CONTACT TYCO ELECTRONICS CORPORATION FOR THE LATEST REVISION.</small>		DWN J. PATTERSON 20NOV2002 CHK J. PATTERSON 20NOV2002 APVD D. BROWN 20NOV2002	Tyco Electronics Harrisburg, PA 17105-3608
DIMENSIONS: mm 	TOLERANCES UNLESS OTHERWISE SPECIFIED: 0 PLC ± 1 PLC ±0.3 2 PLC ±0.15 3 PLC ± 4 PLC ± ANGLES ±1	NAME RECEPTACLE HOUSING, 4 POSITION, 2X JPT CONTACTS + 2X MT3 CONTACTS PRODUCT SPEC APPLICATION SPEC SIZE CAGE CODE DRAWING NO. A11 00779 C=1326490 WEIGHT CUSTOMER DRAWING	RESTRICTED TO SCALE 5:1 SHEET 2 OF 2 REV G1

X-ON Electronics

Largest Supplier of Electrical and Electronic Components

Click to view similar products for [Automotive Connectors](#) category:

Click to view products by [TE Connectivity](#) manufacturer:

Other Similar products are found below :

[003-018-000](#) [60403001](#) [60993906-B](#) [M902-2131](#) [M902-2161](#) [72.330.1035.1](#) [73.353.4028.0](#) [F119300-B](#) [F166900](#) [F258300-B](#) [F358300-B](#)
[F407400](#) [F444110](#) [F487000](#) [F509500B-B](#) [827153-1](#) [8N1515-32-24P](#) [9-1326729-8](#) [925474-1](#) [928905-1](#) [964562-4](#) [968782-1](#) [GT17SA-8DS-](#)
[HU](#) [98891-1012](#) [98947-1016](#) [12004147](#) [12004475-L](#) [12010290](#) [12010309-B](#) [12015454](#) [12020219-B](#) [12020308](#) [12041318-B](#) [12052225-L](#)
[12052466](#) [12059125](#) [12064869](#) [12004327-B](#) [12010503-B](#) [12015308](#) [12015384](#) [12015909](#) [1-21030-1](#) [12041254](#) [12041318](#) [12047946-B](#)
[12047957](#) [12047957-L](#) [12059473](#) [12066261](#)