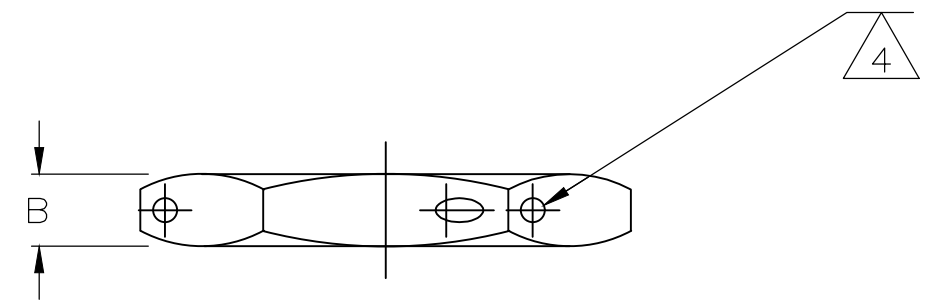
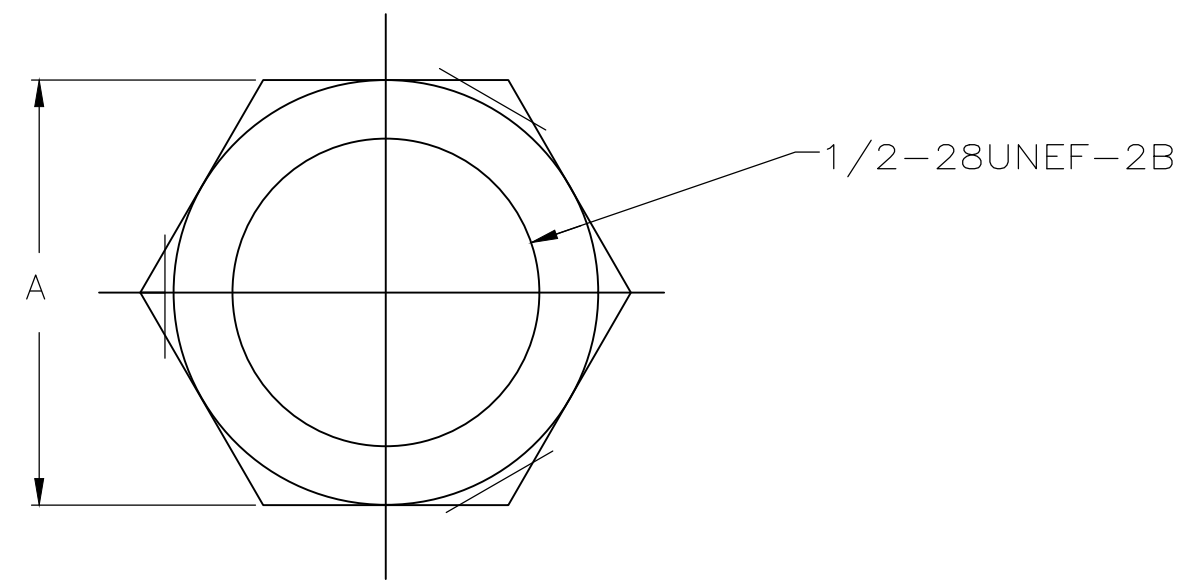


THIS DRAWING IS UNPUBLISHED. RELEASED FOR PUBLICATION
 © COPYRIGHT - By - ALL RIGHTS RESERVED.

REVISIONS					
P	LTR	DESCRIPTION	DATE	DWN	APVD
	N1	REVISED PER ECR-19-012985	20AUG2019	ED	RS



- ① BRASS PER QQ-B-627.
- ② SILVER PLATE PER QQ-S-365, 5.08µm[.000200] MINIMUM THICK.
- ③ NICKEL PLATE PER QQ-N-290, 2.54µm[.000100] MINIMUM THICK.
- ④ $\phi 0.79 \pm 0.08 [.031 \pm .003]$ (3 HOLES) 120° APART.
- ⑤ GOLD PLATE PER MIL-G-45204, 0.51µm[.000020] MINIMUM THICK.
- ⑥ SILVER PLATE PER QQ-S-365, 2.54µm[.000100] MINIMUM THICK.
- ⑦ 10PCS PER LABELED BAG, 100 BAGS PER LABELED INNER CARTON(1000) AND 10 INNER CARTONS(10000) PER SHIP BOX.

⑦	2.39±0.15[.094±.006]	14.10±0.25[.555±.010]		③	①	9-329631-3
	2.77[.109]	15.88[.625]		②	①	9-329631-2
	2.39±0.15[.094±.006]	14.10±0.25[.555±.010]	④	⑥	①	9-329631-1
	2.39±0.15[.094±.006]	14.10±0.25[.555±.010]		⑥	①	9-329631-0
	2.77[.109]	15.88[.625]		⑤	①	2-329631-2
	2.39±0.15[.094±.006]	14.10±0.25[.555±.010]		③	①	2-329631-1
	2.77[.109]	15.88[.625]		③	①	2-329631-0
	2.77[.109]	15.88[.625]		②	①	1-329631-9
	2.39±0.15[.094±.006]	14.10±0.25[.555±.010]	④	⑥	①	1-329631-7
	2.39±0.15[.094±.006]	14.10±0.25[.555±.010]		③	①	1-329631-2
	2.39±0.15[.094±.006]	14.10±0.25[.555±.010]		⑥	①	329631
	B	A	HOLES	FINISH	MATERIAL	PART NUMBER

THIS DRAWING IS A CONTROLLED DOCUMENT.		DWN P. ALSEDEK 16MAY90	STE TE Connectivity			
DIMENSIONS: mm [INCHES]		CHK R.E. RUTH 06SEP90				
TOLERANCES UNLESS OTHERWISE SPECIFIED:		APVD M. PHILLIPS 20SEP90	NAME JAM NUT			
0 PLC ± -		PRODUCT SPEC	-			
1 PLC ± -		APPLICATION SPEC	-			
2 PLC ± 0.13[.005]		WEIGHT	SIZE	CAGE CODE	DRAWING NO	RESTRICTED TO
3 PLC ± -		0.000000	A3	00779	C-329631	-
4 PLC ± -		CUSTOMER DRAWING	SCALE	SHEET	REV	
ANGLES ± -			4:1	1 OF 1	N1	
FINISH						
①						
② & ③						

X-ON Electronics

Largest Supplier of Electrical and Electronic Components

Click to view similar products for [RF Connector Accessories](#) category:

Click to view products by [TE Connectivity](#) manufacturer:

Other Similar products are found below :

[89674-0712](#) [F702RX24](#) [FERRULE-174](#) [R141802000](#) [R141805000](#) [R141842000](#) [R161862000](#) [R161862000W](#) [R280752000](#) [R280907000](#)
[R694261906](#) [RFI21-13](#) [RFI75-13-D2](#) [RFI75-4-D2](#) [AX102906](#) [AX102907](#) [18097-0013](#) [HP-375](#) [HP-500](#) [2098-0294-00](#) [2098-3251-94](#) [KA-](#)
[81-05](#) [89674-0805](#) [F1](#) [FERRULE-223](#) [202102-11](#) [213337-1](#) [220222-2](#) [24092671A](#) [24092678A](#) [R280468000](#) [R280510000](#) [R282862060](#)
[RFI155-1](#) [RFI25-12-D3](#) [RFI25-5](#) [RFI25-5-D3](#) [RFI75-12-D2](#) [RFI75-2-D2](#) [RFI75-4-D3](#) [RFI77-6](#) [360HS001M2508M6](#) [4-1532137-4](#) [5-21085-](#)
[0](#) [105274-1000](#) [111062-0490](#) [112122-SOD-LUG](#) [112-NUT-KNURL](#) [IPP-2014](#) [R280490020](#)