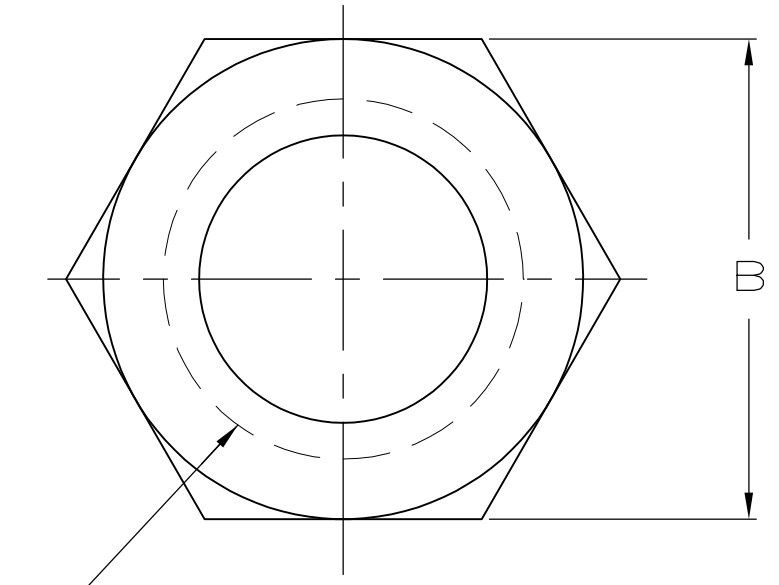
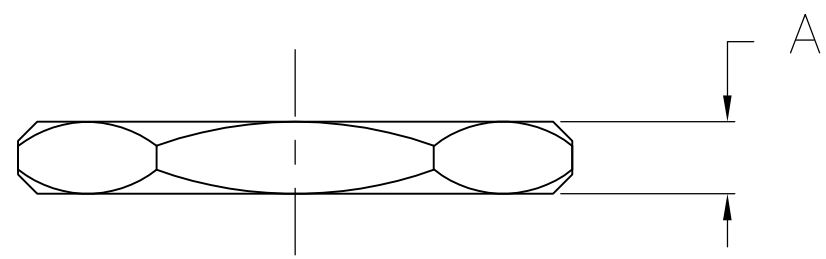


THIS DRAWING IS UNPUBLISHED. RELEASED FOR PUBLICATION  
 © COPYRIGHT - By - ALL RIGHTS RESERVED.

REVISIONS				
P	LTR	DESCRIPTION	DATE	APVD
	H3	REVISED PER ECO-15-013169	16NOV2015	RZ RS



SEE TABLE FOR THREADS



- ① SILVER PL PER QQ-S-365, 2.54μm [.000100] MIN THICK.
- ② NICKEL PL PER QQ-N-290, 2.54μm [.000100] MIN THICK.
- ③ BRASS PER QQ-B-626
- ④ SEE SEPERATE RESTRICTED CUSTOMER DRAWING WITH THIS PART NUMBER.
- ⑤ BLACK NICKEL PLATE.

REPLACED BY 9-330249-0 OBSOLETE

B	A	THREADS	FINISH	PART NUMBER
.496±.008	3.18 [.125]	3/8-32 UNEF-2B	①	9-330249-0
.433±.006	1.91 [.075]	3/8-32 UNEF-2B	②	2-330249-2
.496±.008	1.91 [.075]	3/8-24 UNEF-2B	⑤	1-330249-8
.496±.008	2.36 [.093]	3/8-32 UNEF-2B	②	1-330249-7
-	-	-	-	1-330249-5
.496±.008	1.91 [.075]	3/8-24 UNEF-2B	②	1-330249-4
.496±.008	3.18 [.125]	3/8-32 UNEF-2B	②	1-330249-1
.496±.008	3.18 [.125]	3/8-32 UNEF-2B	①	330249

THIS DRAWING IS A CONTROLLED DOCUMENT.		DWN M. SNEED 6-26-91	<b>STE</b> TE Connectivity		
DIMENSIONS: INCHES		CHK R. HENRY 6-26-91			
TOLERANCES UNLESS OTHERWISE SPECIFIED:		APVD -	NAME JAM NUT		
0 PLC ± -		PRODUCT SPEC -	SIZE A3		
1 PLC ± -		APPLICATION SPEC -	CAGE CODE 00779	DRAWING NO C-330249	RESTRICTED TO -
2 PLC ± -		WEIGHT -	SCALE 5:1		
3 PLC ± 0.41 [.016]		CUSTOMER DRAWING			
4 PLC ± -		SHEET 1 OF 1			
ANGLES ± -		REV H3			
MATERIAL ①		FINISH SEE TABLE			

## X-ON Electronics

Largest Supplier of Electrical and Electronic Components

*Click to view similar products for [Screws & Fasteners](#) category:*

*Click to view products by [TE Connectivity](#) manufacturer:*

Other Similar products are found below :

[5721-1440-1/4-SS](#) [593503FX](#) [0098.0094](#) [0098.9206](#) [0098.9219](#) [0098.9262](#) [596-2114-013](#) [59781-6](#) [0098.0026](#) [0098.9210](#) [0098.9212](#) [60227-01](#) [60227-04](#) [60227-08](#) [60687-01](#) [LOCK WASHER Black](#) [62153-11](#) [M316-KSSTMCZ100](#) [M3440-SS](#) [M3442-SS](#) [M3448-SS](#) [6292-1](#) [6-306105-9](#) [6-306131-4](#) [690432-1](#) [699161-000](#) [7230-3](#) [7244](#) [7248-1](#) [7248-2](#) [745564-1](#) [F1209](#) [751-00001](#) [7680](#) [809704-1](#) [8700](#) [8860220](#) [9047](#) [9521](#) [992326-6](#) [992763-3](#) [1-18024-0](#) [1-18028-2](#) [A168P1](#) [A495P1](#) [1-24921-1](#) [125416-1](#) [1260](#) [13-0036](#) [1301810148](#) [1301810313](#)