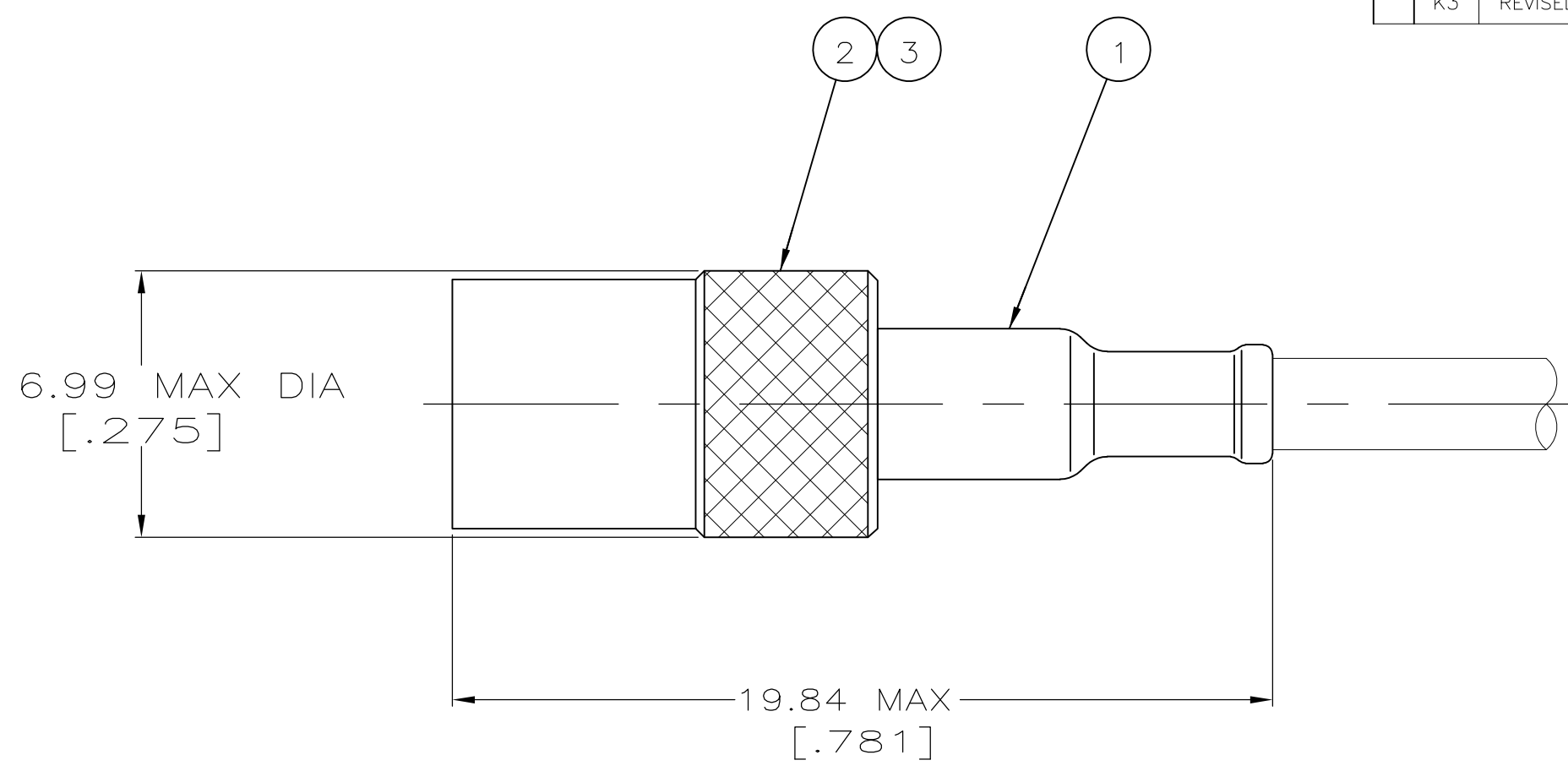


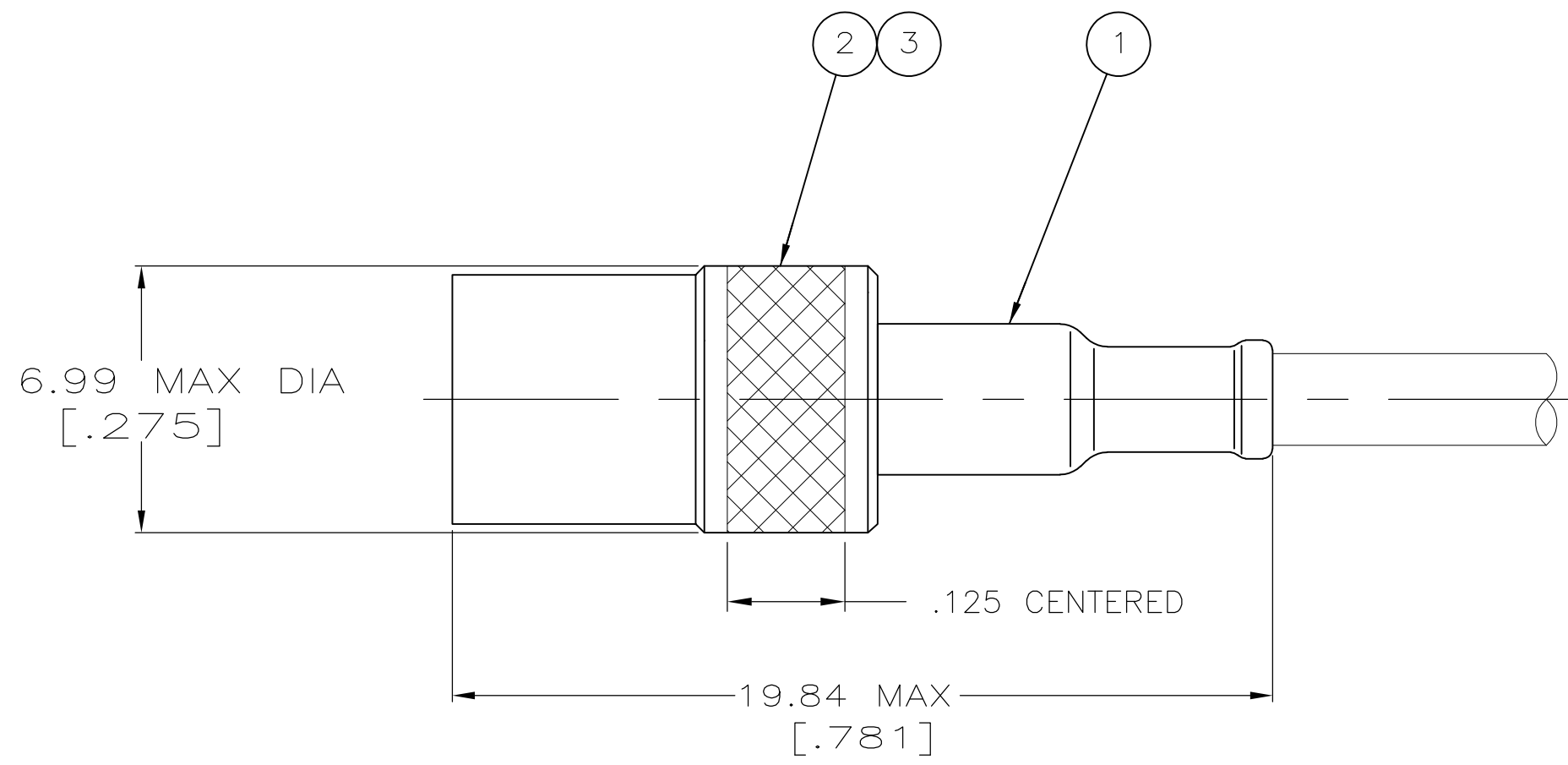
THIS DRAWING IS UNPUBLISHED. RELEASED FOR PUBLICATION  
 © COPYRIGHT - By - ALL RIGHTS RESERVED.

LOC		DIST		REVISIONS					
AJ		16		P	LTR	DESCRIPTION	DATE	DWN	APVD
					K3	REVISED PER ECO-14-012491	15AUG14	AM	MY

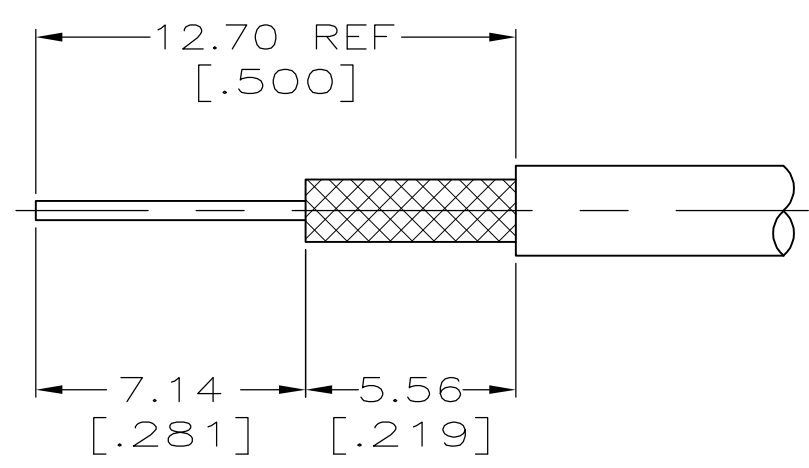
- 1. PARTS PACKAGED UNASSEMBLED
- 2. CRIMP TOOL: 69143
- 3. SEE I.S. 1771
- 4. OBSOLETE PARTS: OBSOLETE CIS STREAMLINING PER D.RENAUD/D.SINISI
- 5. RESTRICTED SALES TO PROVIBTECH



VIEW A



VIEW B



RECOMMENDED STRIP LENGTH

5	B	RG-180/U,180A/U & 195/U	330595-2	1-328695-5	3-329049-0	1-330723-3
	A	RG-180/U,180A/U & 195/U	330595-1	1-328695-3	3-329049-0	1-330723-2
4	A	RG-180/U,180A/U & 195/U	330595	1-328695-2	329049	1-330723-1
	A	RG-180/U,180A/U & 195/U	330595	328695	329049	1-330723-0
	VIEW	CABLE SIZE	3 PLUG ASSY QTY=1	2 COLLAR, RETAINING QTY=1	1 FERRULE QTY=1	PART NUMBER

THIS DRAWING IS A CONTROLLED DOCUMENT.

DWN	B.WERNER	6-20-91
CHK	G.MICHAEL	23/APR/93
APVD	G.MICHAEL	23/APR/93
NAME	TE Connectivity	
PRODUCT SPEC	108-12013	
APPLICATION SPEC	-	
WEIGHT	-	-
CUSTOMER DRAWING	SCALE 5:1	SHEET 1 of 1

RESTRICTED TO: -

REV K3

## X-ON Electronics

Largest Supplier of Electrical and Electronic Components

*Click to view similar products for [RF Connectors](#) / [Coaxial Connectors](#) category:*

*Click to view products by [TE Connectivity](#) manufacturer:*

Other Similar products are found below :

[R125315120](#) [8915-1511-000](#) [89674-0827](#) [5916-1103-603](#) [6-0001-3](#) [6001-7071-019](#) [6002-7051-003](#) [6002-7551-202](#) [6059674-1](#) [619550-1](#)  
[630059-000](#) [M39012/25-0021](#) [M39012/79-3008](#) [M39030/3-01N](#) [M39030/3-03N](#) [M3933/25-36N](#) [6500-7071-046](#) [M83723/72W24576](#)  
[M83723/72W2457N](#) [6769](#) [CX050L2AQ](#) [7002-1541-010](#) [7002-1572-002](#) [7003-1572-002](#) [7010-1511-000](#) [7029-1511-060](#) [7101-1541-010](#)  
[7101-1571-002](#) [7105-1521-002](#) [7145-1521-002](#) [7209-1511-011](#) [7210-1511-015](#) [7210-1511-019](#) [7225-1512-050](#) [7242-1511-000](#) [73137-5015](#)  
[73251-0111](#) [73251-0672](#) [7325-1512-000](#) [73276-1501](#) [73366-0013](#) [73404-2300](#) [73413-6080](#) [73415-5721](#) [7405-1521-005](#) [7405-1521-802](#)  
[7406-1521-005](#) [804S01D04M040](#) [8145-1521-002](#) [81590](#)