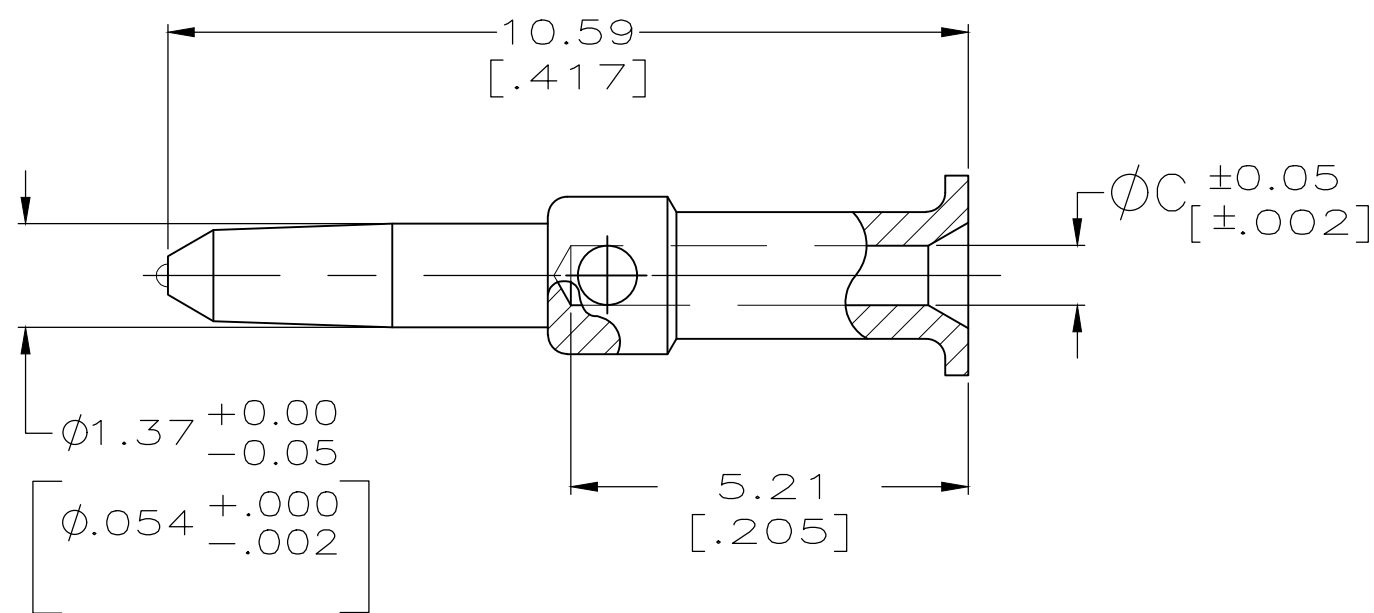
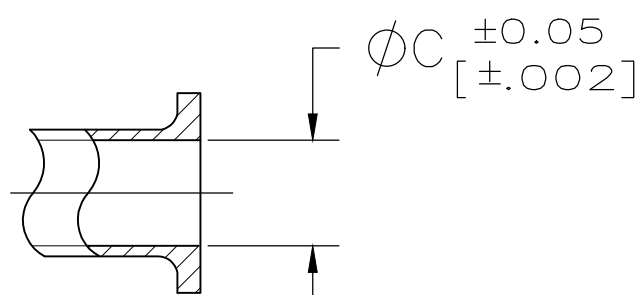


THIS DRAWING IS UNPUBLISHED. RELEASED FOR PUBLICATION  
 © COPYRIGHT - TE Connectivity Ltd. ALL RIGHTS RESERVED.

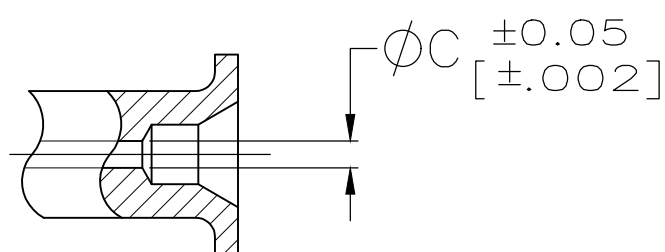
REVISIONS					
P	LTR	DESCRIPTION	DATE	DWN	APVD
F		REVISED PER ECO-16-001734	19JAN2020	RZ	RS



VIEW X



VIEW Y  
 SAME AS VIEW X EXCEPT  
 FOR DIMENSIONS SHOWN



VIEW Z  
 SAME AS VIEW X EXCEPT  
 FOR DIMENSIONS SHOWN

- ① BRASS PER QQ-B-626
- ② GOLD PLATE PER MIL-G-45204  
1.27  $\mu\text{m}$  [.000050] MINIMUM THICK
- ③ GOLD PLATE PER MIL-G-45204  
0.76  $\mu\text{m}$  [.000030] MINIMUM THICK
- ④ GOLD PLATE PER MIL-G-45204  
2.54  $\mu\text{m}$  [.000100] MINIMUM THICK
- ⑤ SILVER PLATE PER QQ-S-365  
2.54  $\mu\text{m}$  [.000100] MINIMUM THICK
- ⑥ GOLD PLATE PER MIL-G-45204  
0.20  $\mu\text{m}$  [.000008] MINIMUM THICK

VIEW	C	FINISH	PART NUMBER
X	0.79 [.031]	④	2-331352-8
X	0.99 [.039]	⑤	2-331352-7
X	0.79 [.031]	⑤	2-331352-6
Z	0.36 [.014]	③	2-331352-5
X	0.79 [.031]	③	2-331352-3
X	1.09 [.043]	③	2-331352-2
Y	1.40 [.055]	③	2-331352-0
X	0.99 [.039]	③	1-331352-7
X	1.19 [.047]	③	1-331352-6
X	0.46 [.018]	③	1-331352-4
X	0.61 [.024]	⑥	1-331352-2
X	0.79 [.031]	②	1-331352-0

THIS DRAWING IS A CONTROLLED DOCUMENT.		DWN B. SCOTT 2-20-91			
DIMENSIONS: INCHES		CHK J. LIPPERT 3-18-91			
TOLERANCES UNLESS OTHERWISE SPECIFIED:		APVD -	NAME CONTACT, MALE, DUAL CRIMP, SERIES BNC		
0 PLC ± -		PRODUCT SPEC -	SIZE A2	CAGE CODE 00779	DRAWING NO C-331352
1 PLC ± -		APPLICATION SPEC -	RESTRICTED TO -		
2 PLC ± 0.20 [.008]		WEIGHT 0.000000	SCALE 10:1	SHEET 1 OF 1	REV F
3 PLC ± -		FINISH SEE TABLE	CUSTOMER DRAWING		
4 PLC ± -					
ANGLES ± 5°					

## X-ON Electronics

Largest Supplier of Electrical and Electronic Components

*Click to view similar products for [RF Connectors / Coaxial Connectors](#) category:*

*Click to view products by [TE Connectivity](#) manufacturer:*

Other Similar products are found below :

[8915-1511-000](#) [89674-0827](#) [6001-7071-019](#) [6002-7051-003](#) [6002-7551-202](#) [6059674-1](#) [619550-1](#) [630059-000](#) [M39030/3-01N](#) [6500-7071-046](#) [6769](#) [CX050L2AQ](#) [7002-1541-010](#) [7002-1542-011](#) [7004-1512-000](#) [7009-1511-004](#) [7010-1511-000](#) [7029-1511-060](#) [7101-1541-010](#) [7101-1571-002](#) [7145-1521-002](#) [7203-1571-003](#) [7209-1511-011](#) [7210-1511-015](#) [7210-1511-019](#) [73137-5015](#) [73216-2241](#) [73404-2300](#) [7405-1521-005](#) [7405-1521-802](#) [8527](#) [8547](#) [FS11V](#) [877931](#) [9049-9513-000](#) [9074-9513-000](#) [9101-9573-002](#) [910A205F](#) [9130-9573-002](#) [PL11SC-026](#) [PL375-33](#) [PL40-5](#) [PL74C-221](#) [PL75MC-217](#) [PL803-7](#) [980-8666-005](#) [1200690078](#) [1-201144-1](#) [R107003010W](#) [R110A172100](#)