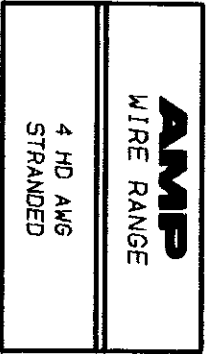


THIS DRAWING IS UNPUBLISHED. RELEASED FOR PUBLICATION
 © COPYRIGHT 19 BY AMP INCORPORATED. ALL INTERNATIONAL RIGHTS RESERVED.

LOC 6 DIST 14

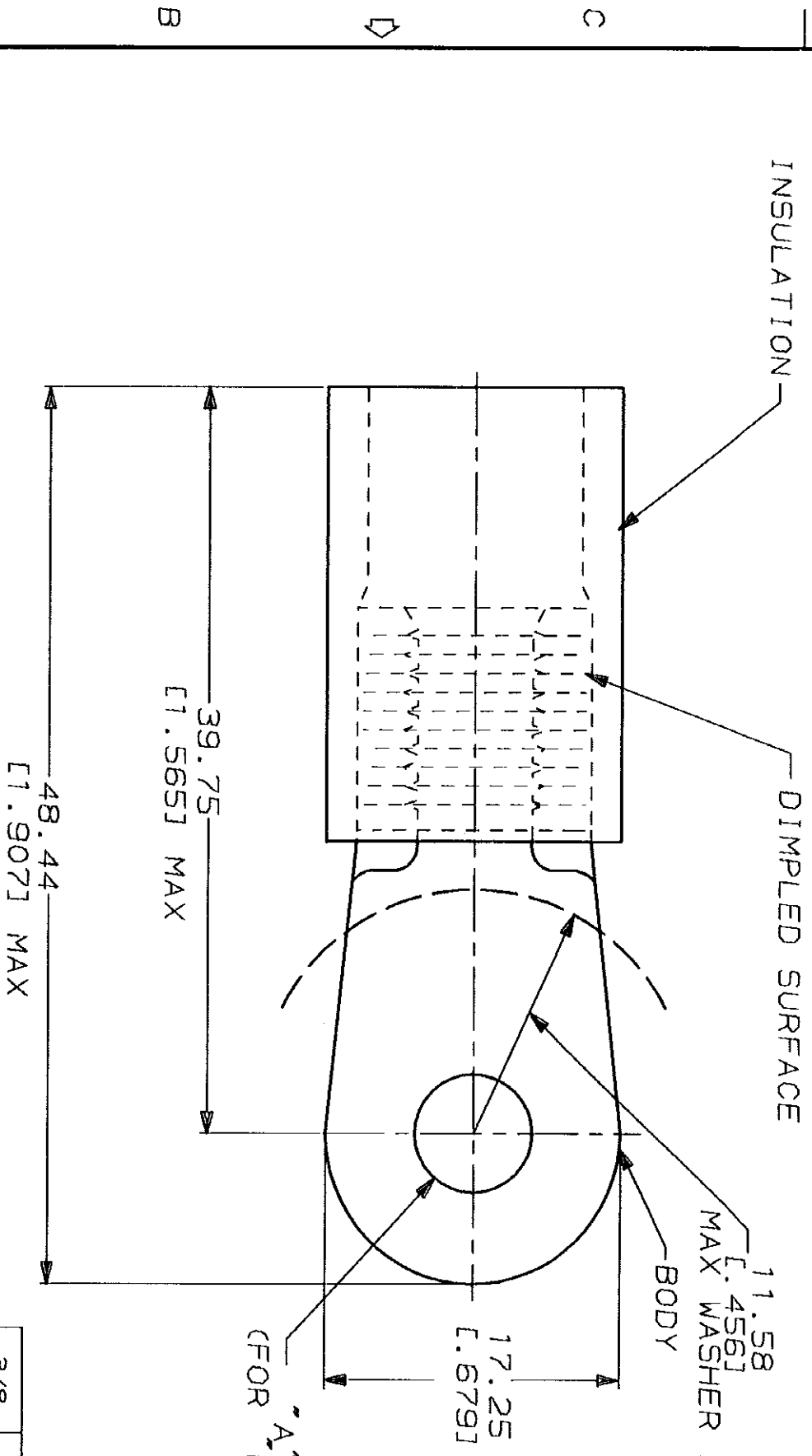
REVISIONS
 DESCRIPTION EC 0720-0279-93

DATE 6-23-93 APPD 556 BB



METRIOR
 DIMENSIONS LISTED IN mm [INCHES]

1. TONGUE MATERIAL THK 2.31±0.08 [0.91±.004]
 FOR 11.25 [1.443] MAX WIRE INS DIA



**AMP INCORPORATED
 CUSTOMER SERVICE SYSTEMS**

FOR ADDITIONAL PRODUCT INFORMATION OR COPIES OF DRAWINGS AND TECHNICAL DOCUMENTS	PRODUCT INFORMATION CENTER 1-800-522-6752	MAX RECOMMENDED OPERATING TEMPERATURE: 105°C
FOR APPLICATION	TOOLING ASSISTANCE CENTER 1-800-722-1111	VOLTAGE RATING: -
TOOLING INFORMATION	1-800-526-5142	CIRCULAR MIL AREA: 16.8-26.7mm² [39, 100-52, 600] STRANDED
FOR ORDER ENTRY	1-800-526-5142	THIS DRAWING IS A CONTROLLED DOCUMENT FOR AMP INCORPORATED. IT IS SUBJECT TO CHANGE AND THE CONTROLLING ENGINEERING ORGANIZATION SHOULD BE CONTACTED FOR THE LATEST REVISION.

DO NOT SCALE PRINT. UNLESS SPECIFIED	"B"	"A"	QTY	PACKAGE TYPE	PART NO
TOLERANCES ON: 1 PLG DEC ± 2 PLG DEC ± 3 PLG DEC ± ANGLES	3/8 5/16	9.91±0.13 8.33±0.13 8.328±.0051	-	LOOSE PC	1-331421-1 1-331421-0

MATERIAL COPPER PER ASTM B-152 NYLON (MIL-M-20693) TYPE 1 COLOR: YELLOW	FINISH TIN PLATE PER MIL-T-10727	DR 6-21-93 S.S. SKULDEN	CHK 6-21-93 R. HERSEY	APPD 6-21-93 B. BARE	NAME AMP AMP Incorporated Harrisburg, PA 17105-3608
TERMINAL, RING TONGUE, TERMINYL WIRE SIZE: 4 HD AWG	SCALE B	SIZE 00779	CAGE CODE G-331421	DRAWING NO G-331421	SHEET 1 OF 1

X-ON Electronics

Largest Supplier of Electrical and Electronic Components

Click to view similar products for [Terminals](#) category:

Click to view products by [TE Connectivity](#) manufacturer:

Other Similar products are found below :

[00-054007-01074-6](#) [00-054007-70206-1](#) [00-054007-70210-8](#) [00-054007-70217-7](#) [00-054007-70226-9](#) [00-054007-70228-3](#) [00-054007-70248-1](#) [00-054007-70256-6](#) [00-054007-70301-3](#) [00-054007-70316-7](#) [00-054007-49560-4](#) [00-054007-70209-2](#) [00-054007-70225-2](#) [00-054007-70227-6](#) [00-054007-70231-3](#) [00-054007-70241-2](#) [00-054007-70242-9](#) [00-054007-70244-3](#) [00-054007-70246-7](#) [00-054007-70263-4](#) [00-054007-70288-7](#) [00-054007-70290-0](#) [00-054007-70300-6](#) [00-054007-70304-4](#) [01-2065-1-0216](#) [01-2900-1-04412](#) [00581P0075](#) [600TS-10](#) [60205-1](#) [604200-1](#) [605601-1](#) [60598-1-CUT-TAPE](#) [61314-6-C](#) [61810-3](#) [61-S](#) [61-SN](#) [626-0194](#) [62-NBM-A](#) [62-SN](#) [62-SP](#) [63-S](#) [640179-1](#) [M55155/059I03](#) [M55155/079C01](#) [M55155/099H02](#) [M55155/109H01](#) [M55155/109H02](#) [M55155/12XH05](#) [M55155/16XH02](#) [M55155/29-5S](#)