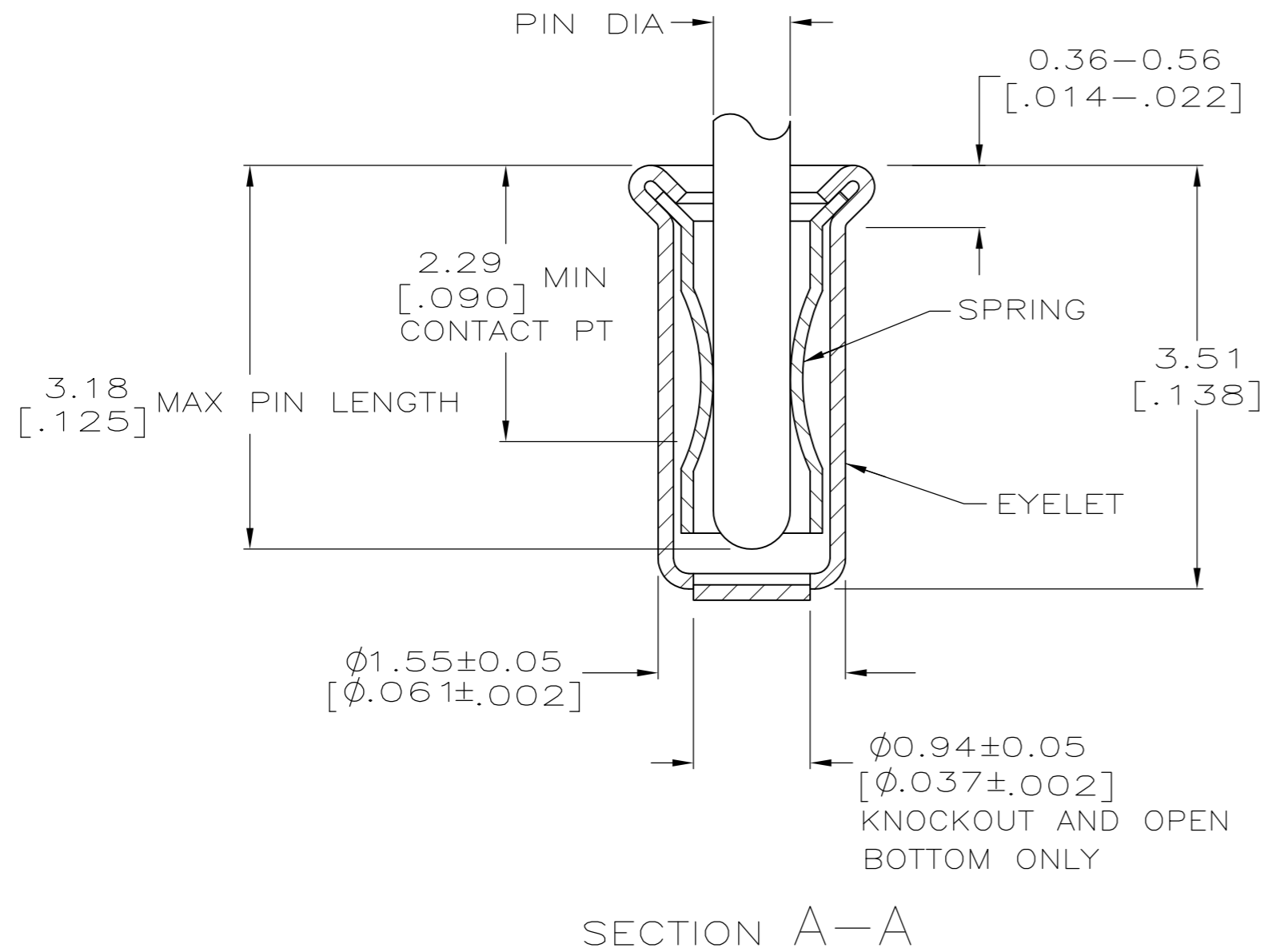
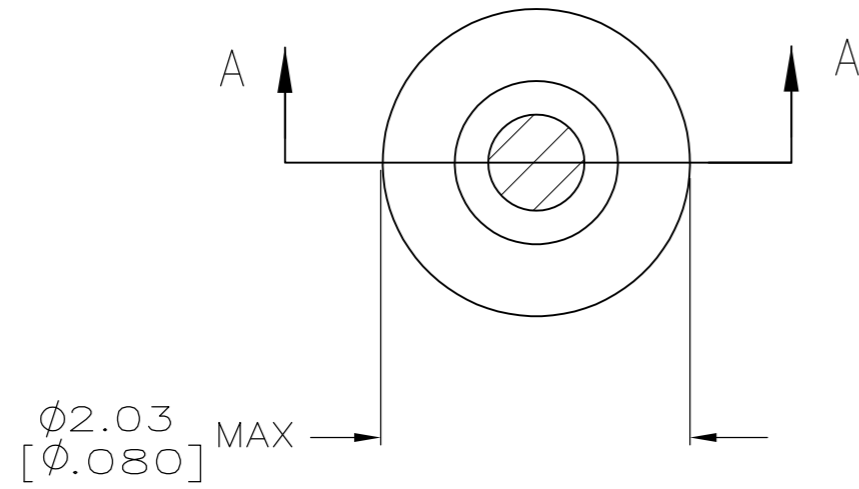


THIS DRAWING IS UNPUBLISHED. RELEASED FOR PUBLICATION  
 © COPYRIGHT - By - ALL RIGHTS RESERVED.

LOC		DIST		REVISIONS			
P	LTR	DESCRIPTION		DATE	DWN	APVD	
GP	00	AR4	REVISED PER ECO-11-004835	11MAR11	RK	HMR	



- 10 MATERIAL: SPRING COPPER QQ-C-533 EYELET: COPPER QQ-C-576
- 11 OBSOLETE PARTS: OBSOLETE CIS STREAMLINING PER D.RENAUD/D.SINISI

- 1 TIN PER MIL-T-10727 OR TIN LEAD 0.00254 [0.000100] MIN THK.
- 2 GOLD PER MIL-G-45204, TYPE II, 0.00076 [0.000030] MIN THK OVER NICKEL PER QQ-N-290 0.00028 [0.000011] MIN THK ON CONTACT AREA.
- 3 GOLD FLASH PER MIL-G-45204, TYPE II, 0.13 μm [0.000005] MIN THK. OVER NICKEL PLATE PER QQ-N-290 0.51 μm-1.52 μm [0.000020-0.000060] EXT THK.
- 4 TIN PER MIL-T-10727 OR TIN LEAD 0.00381 [0.000150] MIN THK.
- 5. RECOMMENDED HOLE SIZE, PLATED OR UNPLATED:  
 MACHINE INSERTION: 1.57 <sup>+0.10</sup>/<sub>-0.08</sub> [0.062 <sup>+0.004</sup>/<sub>-0.003</sub>]  
 HAND INSERTION: 1.60 <sup>+0.10</sup>/<sub>-0.00</sub> [0.063 <sup>+0.004</sup>/<sub>-0.000</sub>]
- 6. APPLICATION TOOL PART NUMBER: MACHINE NO. 682127-4  
 INSERTION HEAD NO. 682039-3
- 7 TO INSURE PROPER SPRING TENSION DO NOT EXCEED A 0.05 [0.002] DIFFERENCE IN PIN DIA WHEN CHANGING TO A SMALLER PIN.
- 8. BOTTOM PLUG KNOCKOUT TOOL PART NUMBER 69729 WITH TIP PART NUMBER 69728-1.
- 9 TIN PER ASTM B 545, 0.00254 [0.000100] MIN THK.

9	CLOSED	0.76-0.84 [0.030-0.033]	TIN 9	TIN 9	8-331677-3
	OPEN	0.76-0.84 [0.030-0.033]	TIN 4	GOLD 2	7-331677-4
OBSOLETE		0.76-0.84 [0.030-0.033]	TIN 1		7-331677-3
OBSOLETE					7-331677-1
OBSOLETE	CLOSED	0.66-0.74 [0.026-0.029]		GOLD 2	3-331677-8
OBSOLETE		0.56-0.64 [0.022-0.025]	TIN 1	TIN 1	3-331677-7
OBSOLETE	KNOCKOUT	0.76-0.84 [0.030-0.033]			3-331677-5
OBSOLETE		0.66-0.74 [0.026-0.029]			3-331677-4
OBSOLETE		0.76-0.84 [0.030-0.033]	GOLD 3	GOLD 2	3-331677-2
OBSOLETE		0.66-0.74 [0.026-0.029]			3-331677-0
11 OBSOLETE		0.76-0.84 [0.030-0.033]			2-331677-9
		0.66-0.74 [0.026-0.029]			2-331677-7
		0.76-0.84 [0.030-0.033]			2-331677-6
		0.66-0.74 [0.026-0.029]			2-331677-4
	OPEN				2-331677-3
		0.76-0.84 [0.030-0.033]	TIN 1	GOLD 2	2-331677-2
		0.56-0.64 [0.022-0.025]		TIN 1	2-331677-1
		0.76-0.84 [0.030-0.033]		GOLD 2	2-331677-0
		0.56-0.64 [0.022-0.025]		TIN 1	1-331677-9
	CLOSED	0.76-0.84 [0.030-0.033]		GOLD 2	1-331677-8
		0.56-0.64 [0.022-0.025]	GOLD 3	TIN 1	1-331677-7
		0.76-0.84 [0.030-0.033]	TIN 1	TIN 1	1-331677-6
		0.56-0.64 [0.022-0.025]	GOLD 3	GOLD 2	1-331677-4
		0.76-0.84 [0.030-0.033]	TIN 1	TIN 1	1-331677-3
		0.66-0.74 [0.026-0.029]	GOLD 3	GOLD 2	1-331677-1
		0.66-0.74 [0.026-0.029]	TIN 1	TIN 1	1-331677-0
	BOTTOM TYPE	RECOMMENDED PIN DIA	EYELET	SPRING	PART NO
			FINISH		

THIS DRAWING IS A CONTROLLED DOCUMENT. DWN R. TALLEY 4-5-91  
 CHK -  
 APVD -

DIMENSIONS: mm [INCHES]	TOLERANCES UNLESS OTHERWISE SPECIFIED: 0 PLC ± - 1 PLC ± - 2 PLC ± - 3 PLC ± 0.20 [0.008] 4 PLC ± - ANGLES ± -	PRODUCT SPEC - APPLICATION SPEC - WEIGHT -	NAME MINIATURE SPRING SOCKRT ASSEMBLY
MATERIAL 10	FINISH -	SIZE A2 CAGE CODE 00779 DRAWING NO C-331677	RESTRICTED TO -
CUSTOMER DRAWING		SCALE 1:1	SHEET 1 OF 1 REV AR4

## X-ON Electronics

Largest Supplier of Electrical and Electronic Components

*Click to view similar products for [IC & Component Sockets](#) category:*

*Click to view products by [TE Connectivity](#) manufacturer:*

Other Similar products are found below :

[0066-3-17-15-30-14-02-0](#) [670](#) [672](#) [673](#) [694-13-640-00-672-000](#) [712-93-120-41-001000](#) [714-93-104-31-018000](#) [8059-4G1-LF](#) [807-22-001-10-001101](#) [807-22-001-10-006101](#) [807-22-001-30-011101](#) [807-22-001-30-012101](#) [807-22-001-30-013101](#) [807-22-001-30-014101](#) [8-1437531-4](#) [8150-6P10](#) [833-93-034-10-001000](#) [851-41-006-10-001000](#) [851-43-008-20-001000](#) [851-43-014-20-001000](#) [851-93-006-20-001000](#) [851-93-010-20-001000](#) [853-43-020-10-001000](#) [86.010.0053.0](#) [116-43-308-41-007000](#) [PX-68LCC](#) [121-13-318-41-001000](#) [121-13-320-41-001000](#) [121-13-308-41-001000](#) [123-43-314-41-801000](#) [123-43-420-41-001000](#) [122-13-316-41-001000](#) [123-13-624-41-001000](#) [123-43-306-41-001000](#) [12-3513-11](#) [123-91-320-41-001000](#) [126-43-310-41-002000](#) [AKSUN 37V-T](#) [1437503-9](#) [1437504-1](#) [146-44-308-41-013000](#) [146-43-308-41-012000](#) [160-10-308-00-001000](#) [160-40-320-00-001000](#) [214-99-306-01-670800](#) [232-1270-02-0602](#) [2-382761-4](#) [2-5331677-4](#) [2-640360-3](#) [2801-2-00-50-00-00-07-0](#)