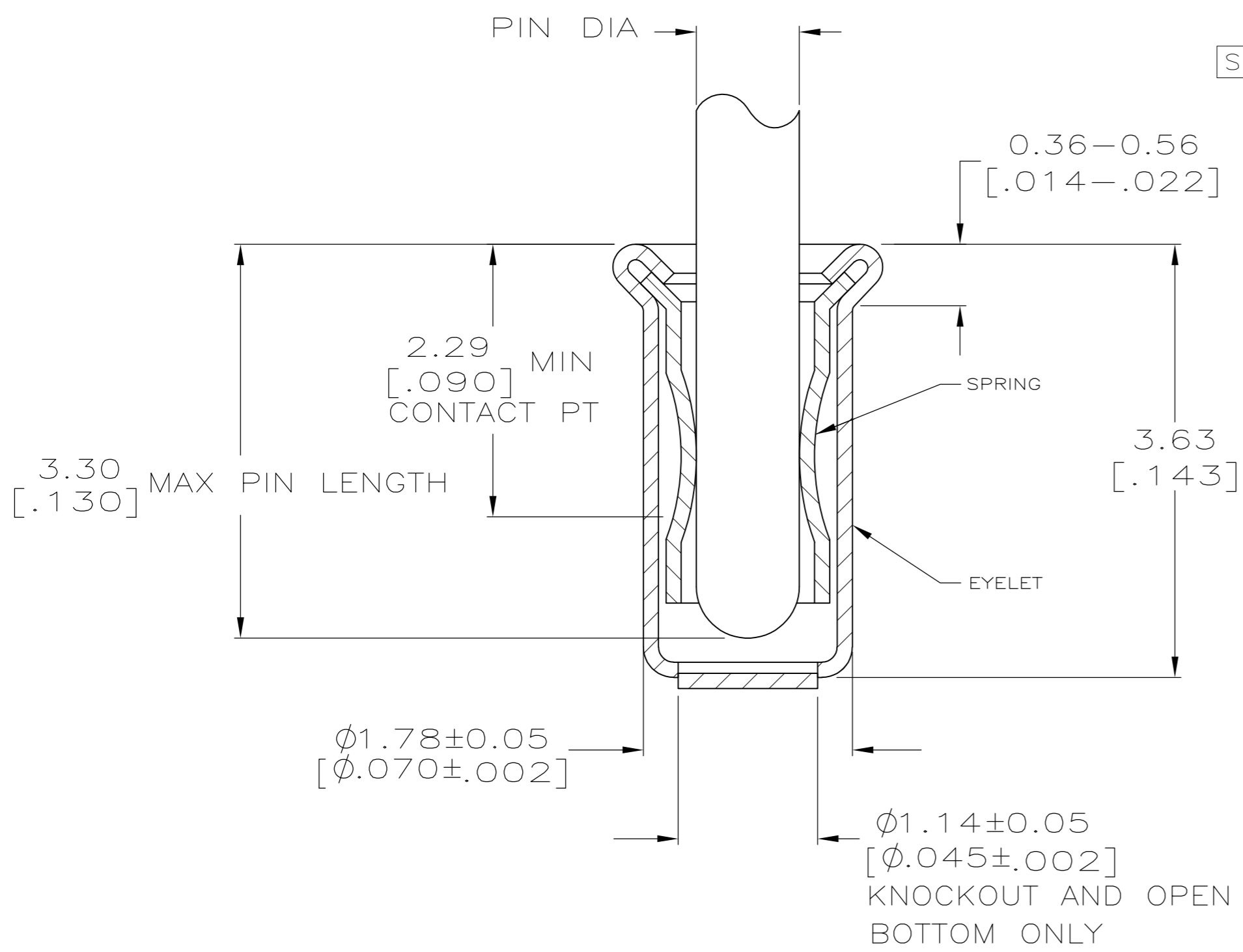
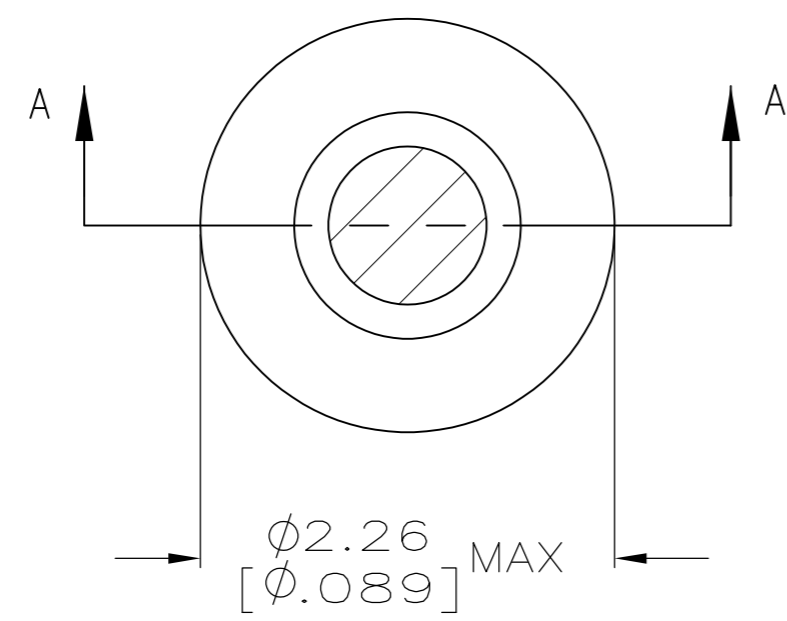


THIS DRAWING IS UNPUBLISHED. RELEASED FOR PUBLICATION
 © COPYRIGHT - By - ALL RIGHTS RESERVED.

LOC		DIST		REVISIONS					
FT		64		P	LTR	DESCRIPTION	DATE	DWN	APVD
				AL		REVISED PER ECO-12-000901	09MAY12	KH	AS

- 1 TIN PER MIL-T-10727 OR TIN LEAD 0.00254 [.000100] MIN THK.
- 2 NICKEL UNDERPLATE ALL OVER, MATING SURFACE PLATED TO MEET PERFORMANCE REQUIREMENTS OF TE CONNECTIVITY PRODUCT SPECIFICATION 108-14008.
- 3 GOLD FLASH PER MIL-G-45204, TYPE II, 0.13-2.5µm [.000005-.000100] THK. OVER NICKEL PLATE PER QQ-N-290 0.51µm-1.52µm [.000020-.000060] EXT THK.
- 4 TIN PER MIL-T-10727 OR TIN LEAD 0.00381 [.000150] MIN THK.
- 5 RECOMMENDED HOLE SIZE, PLATED OR UNPLATED:
 MACHINE INSERTION: 1.83^{+0.10}_{-0.08} [.072^{+0.004}]
 HAND INSERTION: 1.83^{+0.10}_{-0.00} [.072^{+0.004}]
- 6 APPLICATION TOOL PART NUMBER: MACHINE NO. 682127-5
 INSERTION HEAD NO. 682039-4
- 7 TO INSURE PROPER SPRING TENSION DO NOT EXCEED A 0.05 [.002] DIFFERENCE IN PIN DIA WHEN CHANGING TO A SMALLER PIN.
- 8 BOTTOM PLUG KNOCKOUT TOOL PART NUMBER 69729 WITH TIP PART NUMBER 69728-2.
- 9 MATERIAL: SPRING: BERYLLIUM COPPER (QQ-C-533)
 EYELET: COPPER (QQ-C-576)



OBSOLETE	OPEN	0.71-0.84 [.028-.033]	TIN 1	GOLD 2	4-332070-4
		0.94-1.02 [.037-.040]		GOLD 2	4-332070-3
SUPSD BY 1-332070-9					3-332070-9
OBSOLETE	KNOCKOUT	0.94-1.02 [.037-.040]	TIN 1	GOLD 2	3-332070-5
OBSOLETE				TIN 1	3-332070-4
SUPSD BY 50865-1					3-332070-3
	KNOCKOUT	0.76-0.84 [.030-.033]		TIN 1	3-332070-0
OBSOLETE				GOLD 2	2-332070-9
OBSOLETE				TIN 1	2-332070-8
OBSOLETE	OPEN	0.86-0.94 [.034-.037]		GOLD 2	2-332070-7
OBSOLETE				TIN 1	2-332070-6
OBSOLETE				GOLD 2	2-332070-5
OBSOLETE				TIN 1	2-332070-4
OBSOLETE			TIN 1	GOLD 2	2-332070-3
OBSOLETE				TIN 1	2-332070-2
OBSOLETE	CLOSED	0.86-0.94 [.034-.037]		GOLD 2	2-332070-1
OBSOLETE				TIN 1	2-332070-0
OBSOLETE		0.76-0.84 [.030-.033]		GOLD 2	1-332070-9
OBSOLETE				TIN 1	1-332070-8
	KNOCKOUT	0.94-1.02 [.037-.040]			1-332070-7
					1-332070-4
	OPEN	0.86-0.94 [.034-.037]			1-332070-3
OBSOLETE		0.76-0.84 [.030-.033]	GOLD 3	GOLD 2	1-332070-2
OBSOLETE		0.94-1.02 [.037-.040]			1-332070-1
OBSOLETE	CLOSED	0.86-0.94 [.034-.037]			1-332070-0
OBSOLETE		0.76-0.84 [.030-.033]			332070
	BOTTOM TYPE	RECOMMENDED PIN DIA 7	EYELET	SPRING	PART NO
			FINISH		

SECTION A-A

KNOCKOUT AND OPEN BOTTOM ONLY

THIS DRAWING IS A CONTROLLED DOCUMENT.

DIMENSIONS: mm [INCHES]	TOLERANCES UNLESS OTHERWISE SPECIFIED:	DWN R. TALLEY 4-5-91	TE Connectivity MINIATURE SPRING SOCKET ASSEMBLY, SERIES 4
		CHK R. MILLER 8-5-91	
		APVD S. ROBERTSON 8-22-91	
		PRODUCT SPEC	
		APPLICATION SPEC	NAME
MATERIAL	FINISH	WEIGHT	SIZE CAGE CODE DRAWING NO RESTRICTED TO
	SEE TABLE	-	A2 00779 C=332070 -
		CUSTOMER DRAWING	SCALE 20:1 SHEET 1 OF 1 REV AL

X-ON Electronics

Largest Supplier of Electrical and Electronic Components

Click to view similar products for [IC & Component Sockets](#) category:

Click to view products by [TE Connectivity](#) manufacturer:

Other Similar products are found below :

[0066-3-17-15-30-14-02-0](#) [670](#) [672](#) [673](#) [694-13-640-00-672-000](#) [712-93-120-41-001000](#) [714-93-104-31-018000](#) [8059-4G1-LF](#) [807-22-001-10-001101](#) [807-22-001-10-006101](#) [807-22-001-30-011101](#) [807-22-001-30-012101](#) [807-22-001-30-013101](#) [807-22-001-30-014101](#) [8-1437531-4](#) [8150-6P10](#) [833-93-034-10-001000](#) [851-41-006-10-001000](#) [851-43-008-20-001000](#) [851-43-014-20-001000](#) [851-93-006-20-001000](#) [851-93-010-20-001000](#) [853-43-020-10-001000](#) [86.010.0053.0](#) [116-43-308-41-007000](#) [PX-68LCC](#) [121-13-318-41-001000](#) [121-13-320-41-001000](#) [121-13-308-41-001000](#) [123-43-314-41-801000](#) [123-43-420-41-001000](#) [122-13-316-41-001000](#) [123-13-624-41-001000](#) [123-43-306-41-001000](#) [12-3513-11](#) [123-91-320-41-001000](#) [126-43-310-41-002000](#) [AKSUN 37V-T](#) [1437503-9](#) [1437504-1](#) [146-44-308-41-013000](#) [146-43-308-41-012000](#) [160-10-308-00-001000](#) [160-40-320-00-001000](#) [214-99-306-01-670800](#) [232-1270-02-0602](#) [2-382761-4](#) [2-5331677-4](#) [2-640360-3](#) [2801-2-00-50-00-00-07-0](#)