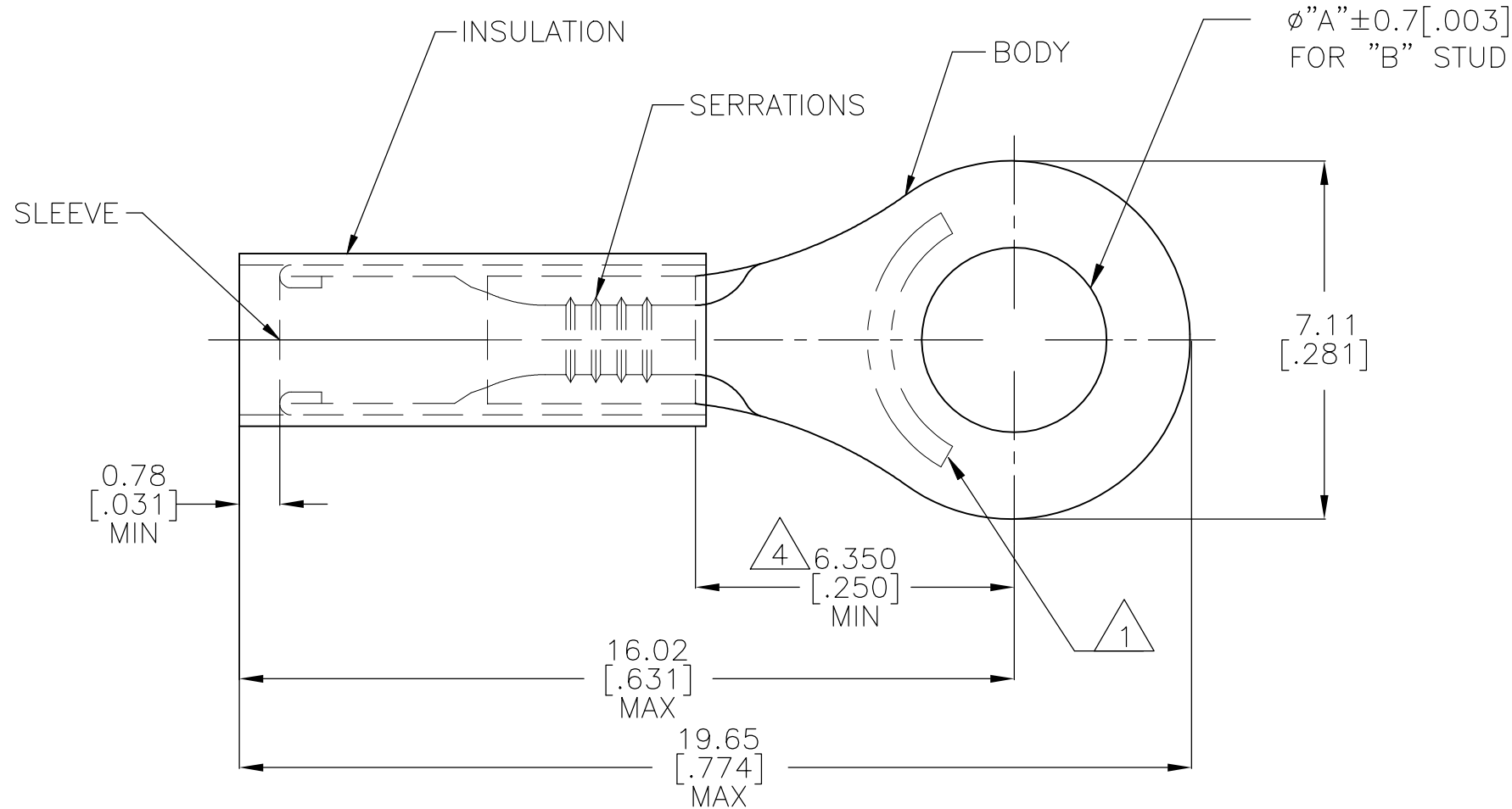


THIS DRAWING IS UNPUBLISHED. RELEASED FOR PUBLICATION
 © COPYRIGHT - By - ALL RIGHTS RESERVED.

| REVISIONS | | | | |
|-----------|-----|---------------------------|-----------|----------|
| P | LTR | DESCRIPTION | DATE | DWN APVD |
| | N5 | REVISED PER ECO-15-016493 | 27NOV2015 | NK DR |
| | N6 | REVISED PER ECO-17-016703 | 02APR2018 | RS DR |

AMP
WIRE RANGE

22-20 AWG
STRANDED



- 1 STAMP AMP 22-20 APPROX AS SHOWN
- 2 FOR 0.88[.035] TO 2.54[.100] WIRE INSULATION DIA
- 3 BODY MATERIAL THK: 0.58±0.05[.023±.002]
- 4 DIMENSION APPLIES FROM EDGE OF METAL WIRE BARREL TO CENTER OF STUD HOLE.
- 5 BODY: MATERIAL - COPPER ASTM B152 FINISH - GOLD PLATE ASTM B488 TYPE I, CODE C 0.0012[.00005] MIN EXT. THK. OVER NICKEL PLATE SAE AMS QQ-N-290 0.00076 [.00003] AVG EXT. THK.
- 6 SLEEVE: MATERIAL - COPPER ASTM B152 FINISH - NICKEL PL. SAE AMS QQ-N-290 0.00076 [.00003] AVG EXT. THK.
- 7 INSULATION: MATERIAL - PTFE (ASTM D3295) COLOR: GREEN
- 8 NOTE DELETED

| | | | | | |
|---|----------|------------|-----|--------------|------------|
| 7 | M3.5[#6] | 3.68[.145] | 500 | LOOSE PIECE | 1-332433-0 |
| | "B" | "A" | QTY | PACKAGE TYPE | PART NO. |

| | | | | | | | | | | |
|--|--|--|--|--|----------------------------------|--|-----------|------------|---------------|--------|
| AMP INCORPORATED CUSTOMER SERVICE SYSTEMS | | MAX RECOMMENDED OPERATING TEMPERATURE: 260°C [500°F] | THIS DRAWING IS A CONTROLLED DOCUMENT. | | DWN JR RUTH 28JAN03 | TE Connectivity Ltd. | | | | |
| FOR ADDITIONAL PRODUCT INFORMATION OR COPIES OF DRAWINGS AND TECHNICAL DOCUMENTS | PRODUCT INFORMATION CENTER 1-800-522-6752 | VOLTAGE RATING: 300V MAX | DIMENSIONS: mm [INCHES] | TOLERANCES UNLESS OTHERWISE SPECIFIED: | CHK T MICHIELUTTI 28JAN03 | | | | | NAME |
| FOR APPLICATION TOOLING INFORMATION | TOOLING ASSISTANCE CENTER 1-800-722-1111 | CIRCULAR MIL AREA: 0.26-0.65mm²[509-1,290] STRANDED WIRE ONLY | | 0 PLC ± - 1 PLC ± - 2 PLC ± 0.50[.02] 3 PLC ± 0.127[.005] 4 PLC ± - ANGLES ± 1° | APVD T MICHIELUTTI 28JAN03 | TERMINAL, PIDG, STRATO-THERM, RING TONGUE, 22-20 AWG | | | | |
| FOR ORDER ENTRY | 1-800-526-5142 | | MATERIAL | FINISH | PRODUCT SPEC | SIZE | CAGE CODE | DRAWING NO | RESTRICTED TO | |
| | | | | | APPLICATION SPEC | A3 | 00779 | C-332433 | - | |
| CUSTOMER DRAWING | | | | | | WEIGHT | SCALE 1:1 | | SHEET 1 OF 1 | REV N6 |

X-ON Electronics

Largest Supplier of Electrical and Electronic Components

Click to view similar products for [Terminals](#) category:

Click to view products by [TE Connectivity](#) manufacturer:

Other Similar products are found below :

[00-054007-01074-6](#) [00-054007-70206-1](#) [00-054007-70210-8](#) [00-054007-70217-7](#) [00-054007-70226-9](#) [00-054007-70228-3](#) [00-054007-70248-1](#) [00-054007-70256-6](#) [00-054007-70301-3](#) [00-054007-70316-7](#) [00-054007-49560-4](#) [00-054007-70209-2](#) [00-054007-70225-2](#) [00-054007-70227-6](#) [00-054007-70231-3](#) [00-054007-70241-2](#) [00-054007-70242-9](#) [00-054007-70244-3](#) [00-054007-70246-7](#) [00-054007-70263-4](#) [00-054007-70288-7](#) [00-054007-70290-0](#) [00-054007-70300-6](#) [00-054007-70304-4](#) [01-2065-1-0216](#) [01-2900-1-04412](#) [00581P0075](#) [600TS-10](#) [60205-1](#) [604200-1](#) [605601-1](#) [60598-1-CUT-TAPE](#) [61314-6-C](#) [61810-3](#) [61-S](#) [61-SN](#) [626-0194](#) [62-NBM-A](#) [62-SN](#) [62-SP](#) [63-S](#) [640179-1](#) [M55155/059I03](#) [M55155/079C01](#) [M55155/099H02](#) [M55155/109H01](#) [M55155/109H02](#) [M55155/12XH05](#) [M55155/16XH02](#) [M55155/29-5S](#)