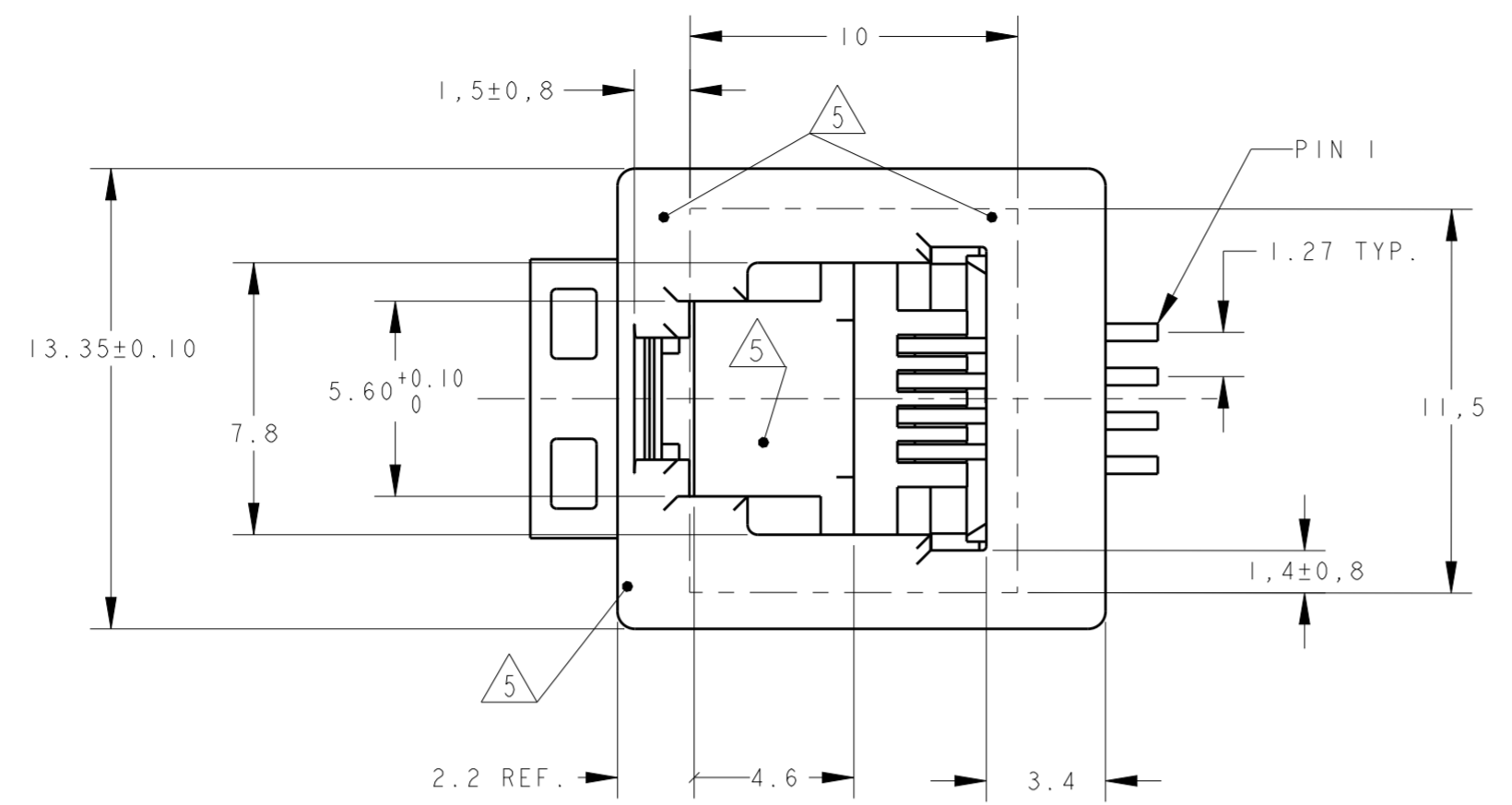
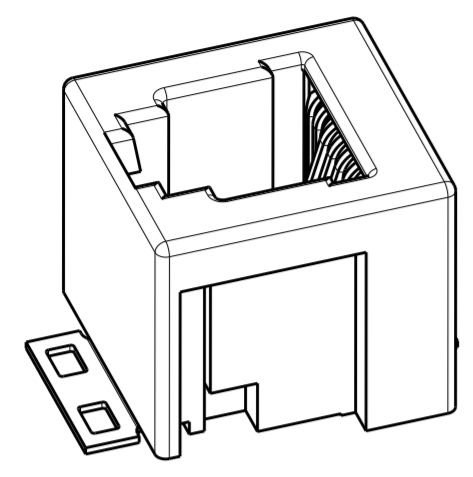


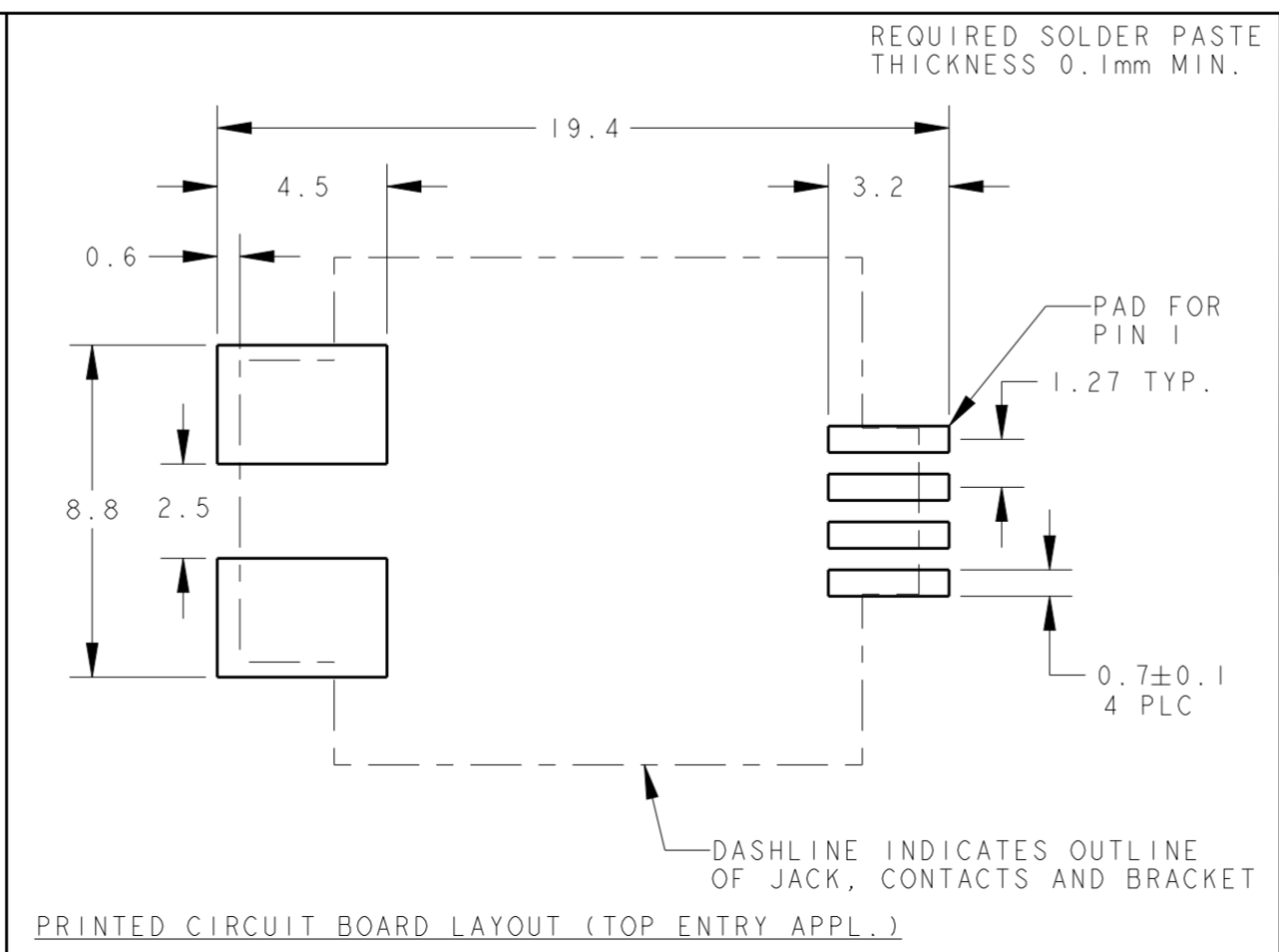
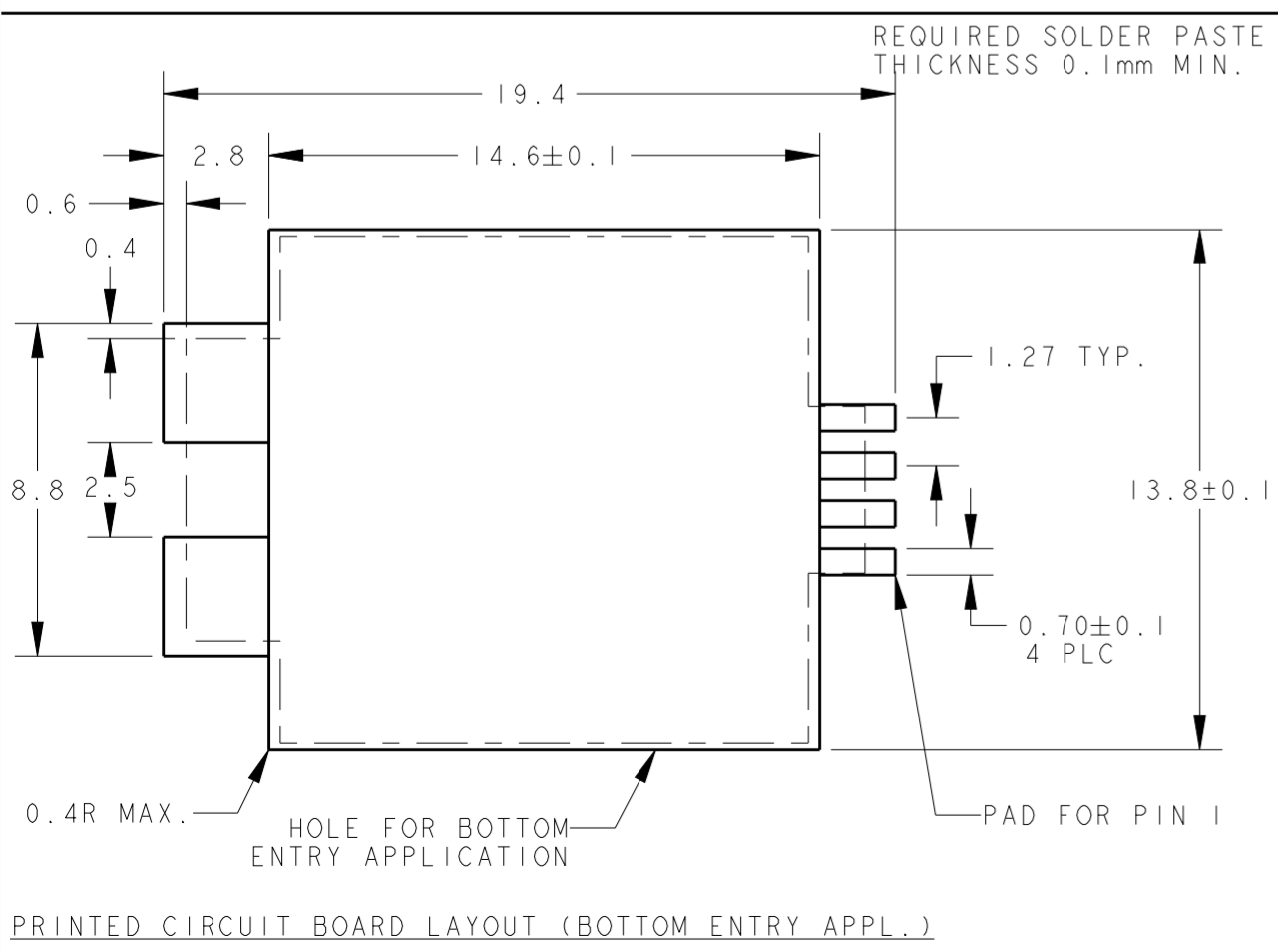
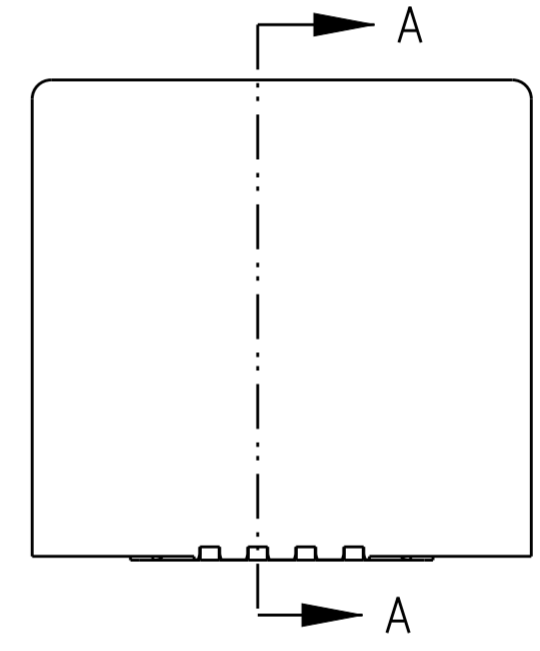
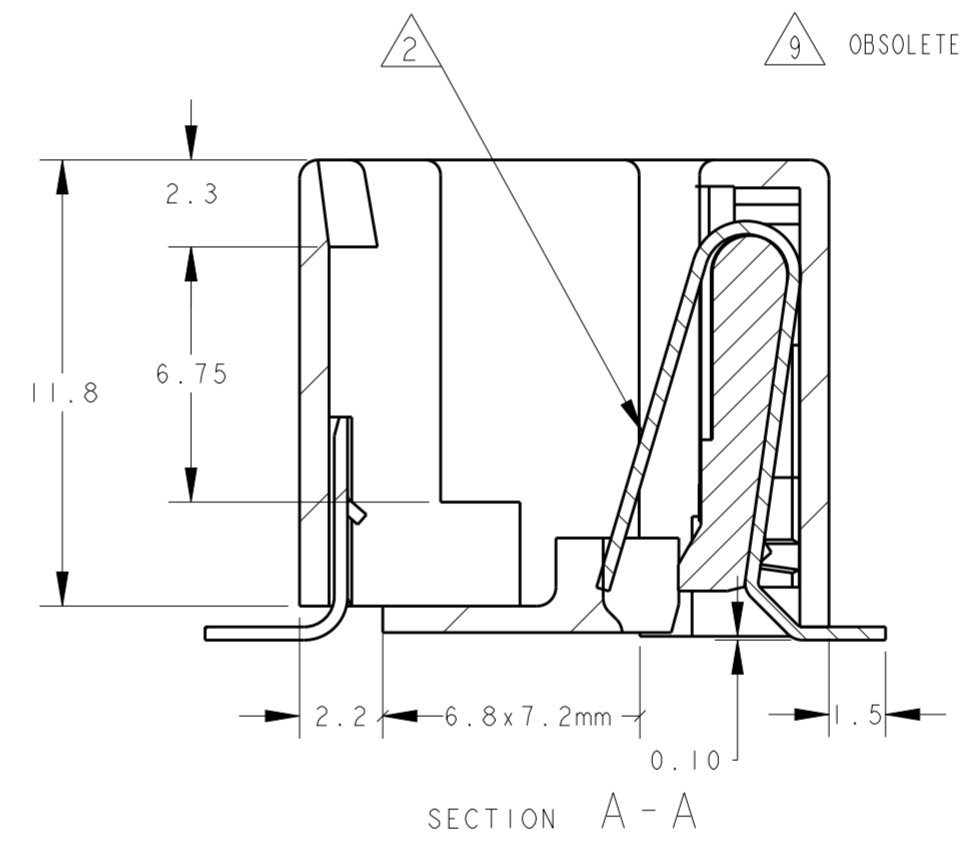
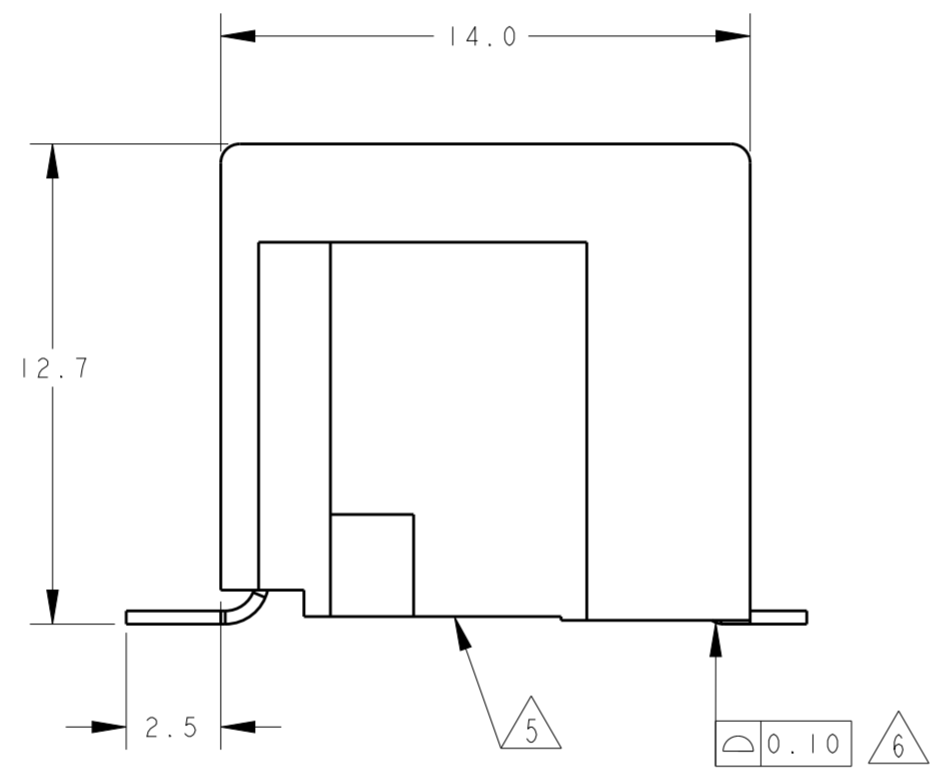
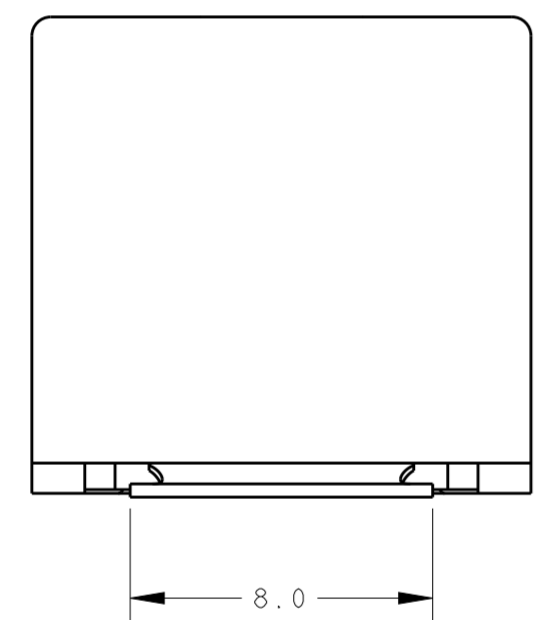
THIS DRAWING IS UNPUBLISHED. RELEASED FOR PUBLICATION 2011
 © COPYRIGHT 2011 TE CONNECTIVITY ALL RIGHTS RESERVED.

LOC		DIST		REVISIONS			
P	LTR	DESCRIPTION	DATE	DWN	APVD		
	Z	HOUSING RIB STRENGTHENED AND RAW MATERIAL CHANGED TO PA4T	06JAN2012	PS	RRP		
	AA	ECO-16-001320	13JUN2016	AD	SH		



NOTES:

- 1 TOLERANCES UNLESS OTHERWISE SPECIFIED: ±0.15.
- 2 CONTACT PLATING:
 OVERALL: Ni 1.27µm MIN. ALL OVER THE CONTACTS
 SOLDER ZONE: Sn 3.5-5.0µm ON THE SOLDER ZONE OF THE CONTACT
 MATING ZONE: PLATING CONFIRMS TO PRODUCT REQUIREMENTS AS PER SPECIFICATION 108-19117
- 3 MATERIALS:
 HOUSING: 30% G.F. LCP COLOR BLACK, UL 94V-0.
 CONTACTS: PHOSPHOR BRONZE
 SOLDER BRACKET: TIN PLATED BRASS WITH NICKEL UNDERPLATE.
- 4 THIS JACK CAN ALSO BE APPLIED HANGING THROUGH A HOLE, IN A PRINTED CIRCUIT BOARD. SEE LEFT PCB LAYOUT.
- 5 SURFACE CAN BE USED FOR PICKING THE MODULAR JACK WITH, TYPE 11 SMD MACHINE.
- 6 MEASURED AT HEEL OF CONTACTS
 COPLANARITY AT TIPS OF CONTACTS MAX. 0.18mm
- 7 TAPE AND REEL PACKAGING ACCORDING TO EIA 481-3 SPECIFICATIONS.
- 8 INCLUDES KAPTON TAPE (10x11.5mm) ON TOP SURFACE AS PICK AND PLACE FEATURE.
- 9 OBSOLETE PARTS: OBSOLETE CIS STREAMLINING PER D.RENAUD/D.SINSI



9	4 POS./4 CONT.	750 PCS ON Ø560 mm OD REEL. BOTTOM ENTRY ORIENTATION PER DETAIL B2	2-338084-5
	4 POS./4 CONT.	750 PCS ON Ø560 mm OD REEL. TOP ENTRY ORIENTATION PER DETAIL B1	2-338084-3
	4 POS./4 CONT.	300 PCS ON Ø360 mm OD REEL. TOP ENTRY ORIENTATION PER DETAIL B1	8 1-338084-6
9	4 POS./4 CONT.	300 PCS ON Ø360 mm OD REEL. BOTTOM ENTRY ORIENTATION PER DETAIL B2	1-338084-5
	4 POS./4 CONT.	300 PCS ON Ø360 mm OD REEL. TOP ENTRY ORIENTATION PER DETAIL B1	1-338084-3
REMARKS		PACKAGING	PART NUMBER

THIS DRAWING IS A CONTROLLED DOCUMENT.

DWN: 30-Sep-96
 E.v.ELJK
 CHK: DEC.'96
 E.STELLINGA

APVD: R.SMEETS

PRODUCT SPEC: 108-19117

APPLICATION SPEC: 114-19041

WEIGHT: 1.92 gr

MATERIAL: SEE NOTE 3 -

TOLERANCES UNLESS OTHERWISE SPECIFIED:
 0 PLC ±
 1 PLC ±
 2 PLC ±
 3 PLC ±
 4 PLC ±
 ANGLES ±
 FINISH ±

SEE NOTE 2 -

SCALE: 5:1

SHEET 1 OF 2

REV AA

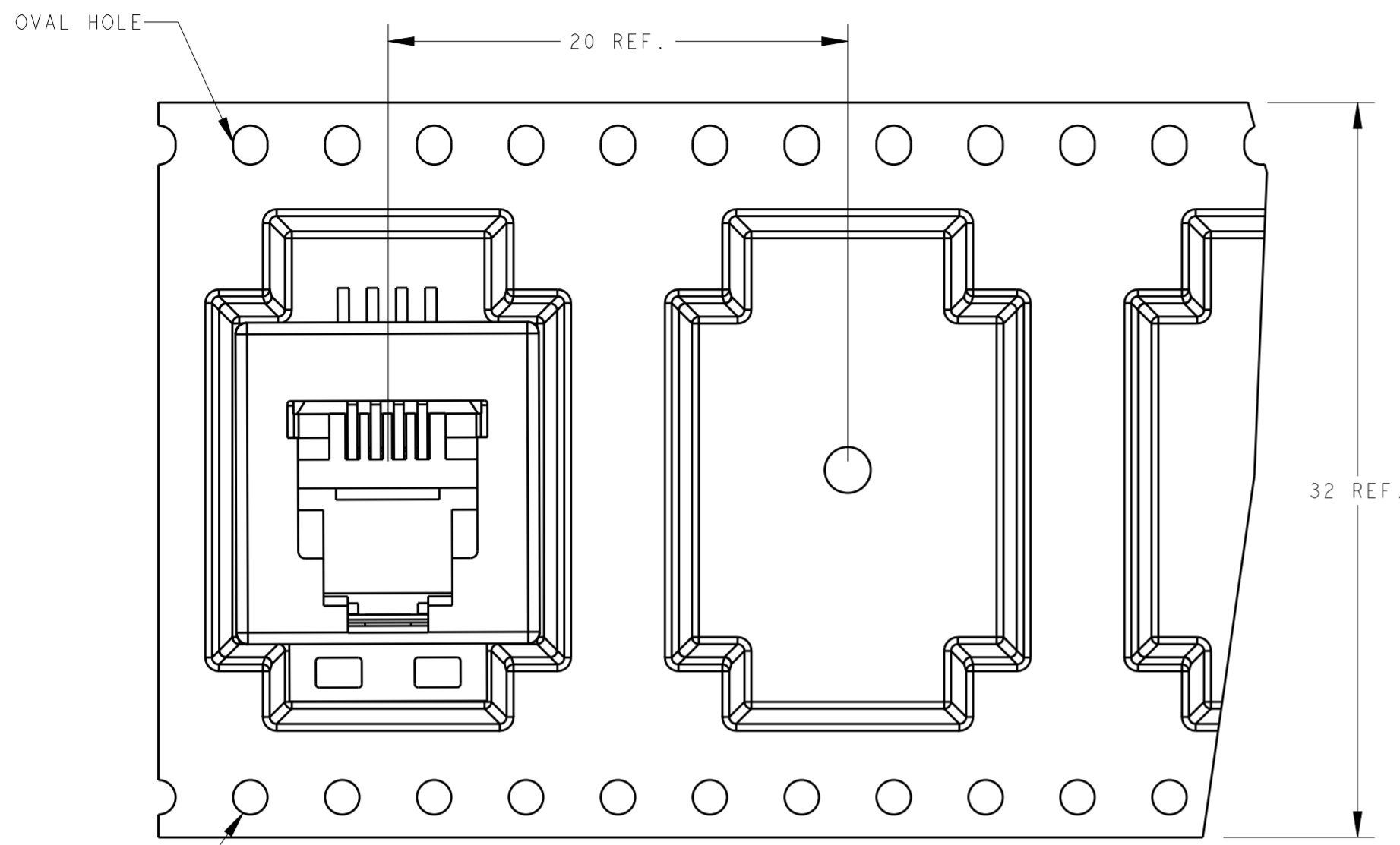
STE TE Connectivity

INVERTIBLE MODULAR JACK, 4 POSITION
 HANDSET
 SURFACE MOUNT APPLICATION

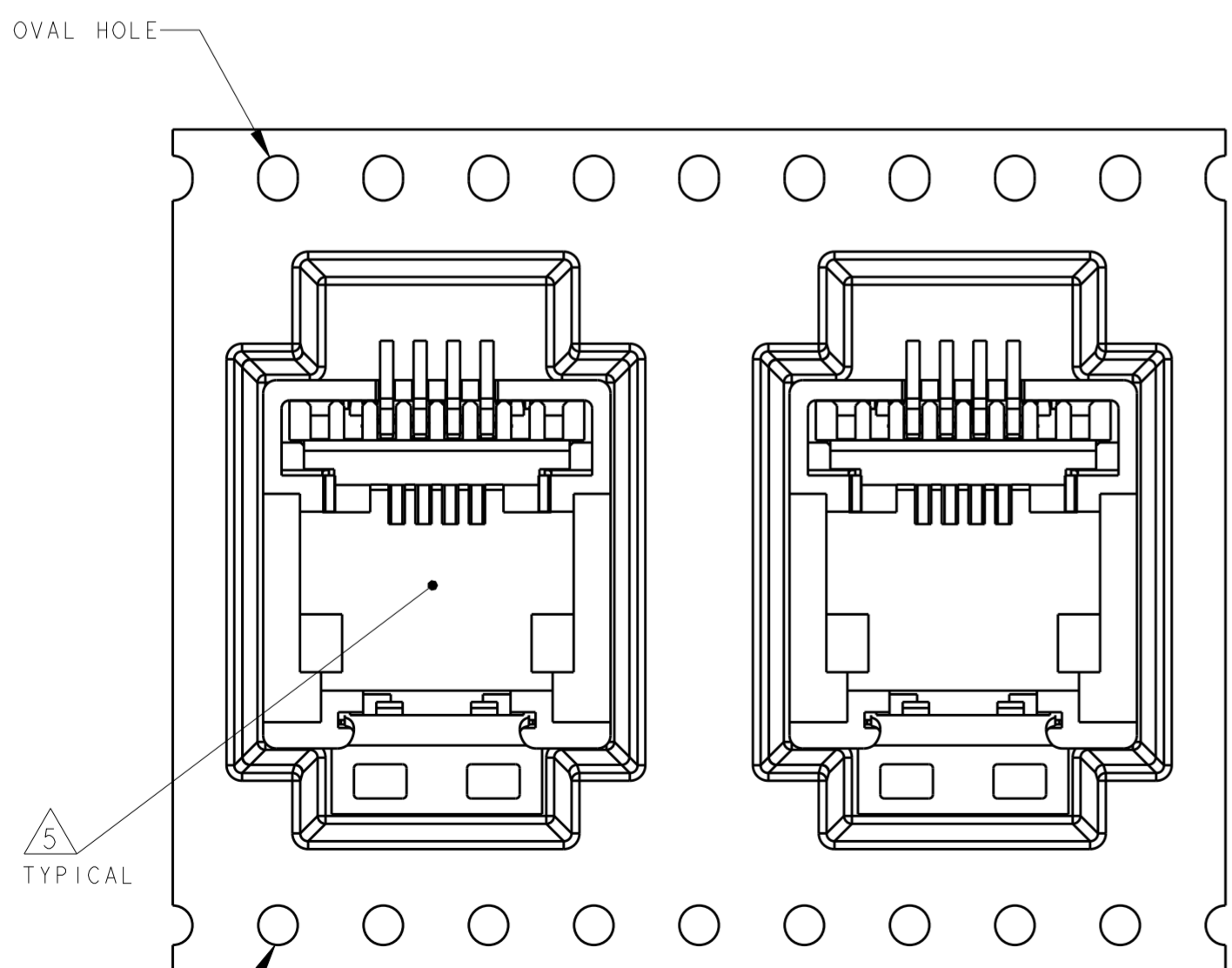
SIZE: A2
 CAGE CODE: 0779
 DRAWING NO: C-338084
 RESTRICTED TO: -

THIS DRAWING IS UNPUBLISHED. RELEASED FOR PUBLICATION 2011
 © COPYRIGHT 2011 TE CONNECTIVITY ALL RIGHTS RESERVED.

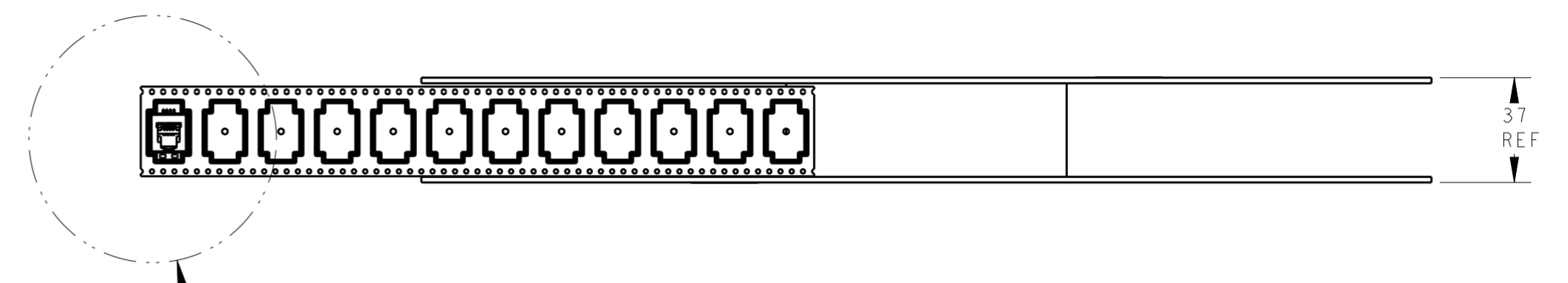
LOC	DIST	REVISIONS			
P	LTR	DESCRIPTION	DATE	DWN	APVD
IR	-	SEE SHEET 1	-	-	-



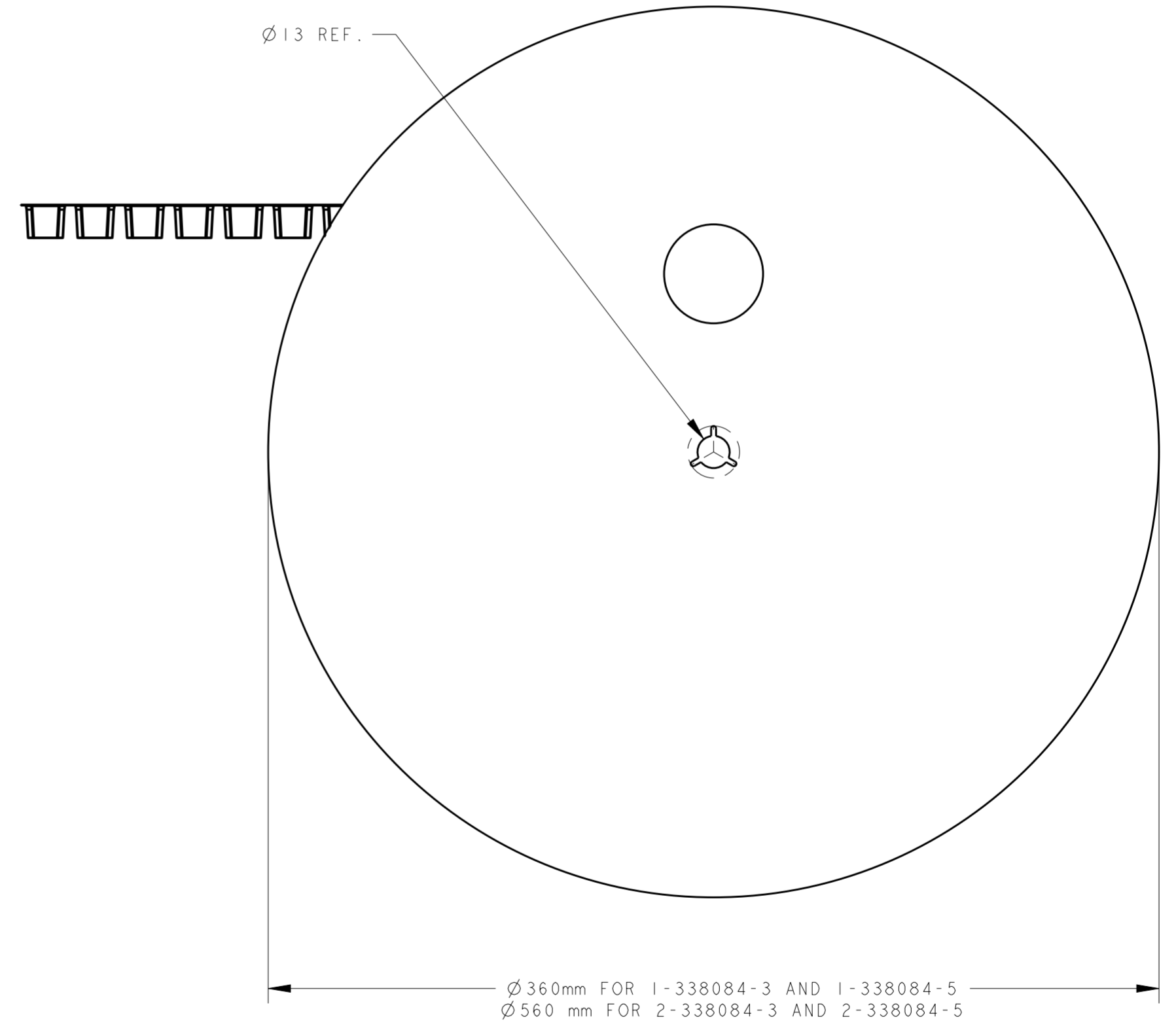
TOP ENTRY ORIENTATION.
 DETAIL B1
 SCALE 4:1



BOTTOM ENTRY ORIENTATION.
 DETAIL B2
 SCALE 4:1



SEE DETAIL B1 & B2



Ø 360mm FOR 1-338084-3 AND 1-338084-5
 Ø 560 mm FOR 2-338084-3 AND 2-338084-5

THIS DRAWING IS A CONTROLLED DOCUMENT.		DWN E.v.ELJK 30-Sep-96	TE Connectivity	
		CHK E. STELLINGA DEC.'96		
DIMENSIONS: mm		APVD R. SMEETS	NAME INVERTIBLE MODULAR JACK, 4 POSITION HANDSET SURFACE MOUNT APPLICATION	
TOLERANCES UNLESS OTHERWISE SPECIFIED: 0 PLC ± 1 PLC ± 2 PLC ± 3 PLC ± 4 PLC ± ANGLES ± FINISH		PRODUCT SPEC 108-19117	SIZE 114-19041	RESTRICTED TO
MATERIAL		APPLICATION SPEC 114-19041	WEIGHT 1.92 gr	
		CUSTOMER DRAWING	SCALE 5:1	SHEET 2 OF 2 REV AA

X-ON Electronics

Largest Supplier of Electrical and Electronic Components

Click to view similar products for [Modular Connectors / Ethernet Connectors](#) category:

Click to view products by [TE Connectivity](#) manufacturer:

Other Similar products are found below :

[8949-H88/06BLKA/SN](#) [74441-0010/BKN](#) [MP1010RX-1000](#) [MP44RX-1000](#) [PHJ-4P4C-1-V-4](#) [PHP-6P6C-5](#) [GAX-3-66](#) [GAX-8-62](#) [GDCX-PA-66-50](#) [GDCX-PN-64](#) [GDCX-PN-66](#) [GDCX-PN-66-50](#) [GDLX-A-66](#) [GDLX-N-66](#) [GDLX-S-66](#) [GDLX-S-88K](#) [GDTX-S-88-50](#) [GDX-PA-1010](#) [GLX-N-1010M-BLK](#) [GLX-S-88M-BLK](#) [GMX-N-1010](#) [GMX-S-1010](#) [GMX-S-66](#) [GMX-SMT4-N-88](#) [GPX-2-64](#) [GSGX-N-2-88](#) [GSGX-N-4-88](#) [GSX-NS2-88-3.05](#) [GSX-NS2-88-3.05-50](#) [GSX-NS-88-3.05-50](#) [PT-108A-8C-UL](#) [PT-J951-8C](#) [PTS-J531-8CS-50UL](#) [1-1775629-2](#) [A-2014-0-4](#) [GWLX-S-88-GR](#) [GWLX-S9-88-YG](#) [DC-1021-8-WH-6](#) [1300530003](#) [1324640-4](#) [RJ11FTVC2G](#) [RJ11FTVC2N](#) [RJFTVX2SA1G](#) [132764-001](#) [1413235](#) [MP88X-1000](#) [MPS88RX-5000](#) [E5288-S000K3-L](#) [E5908-15A242-L](#) [155302-001](#)