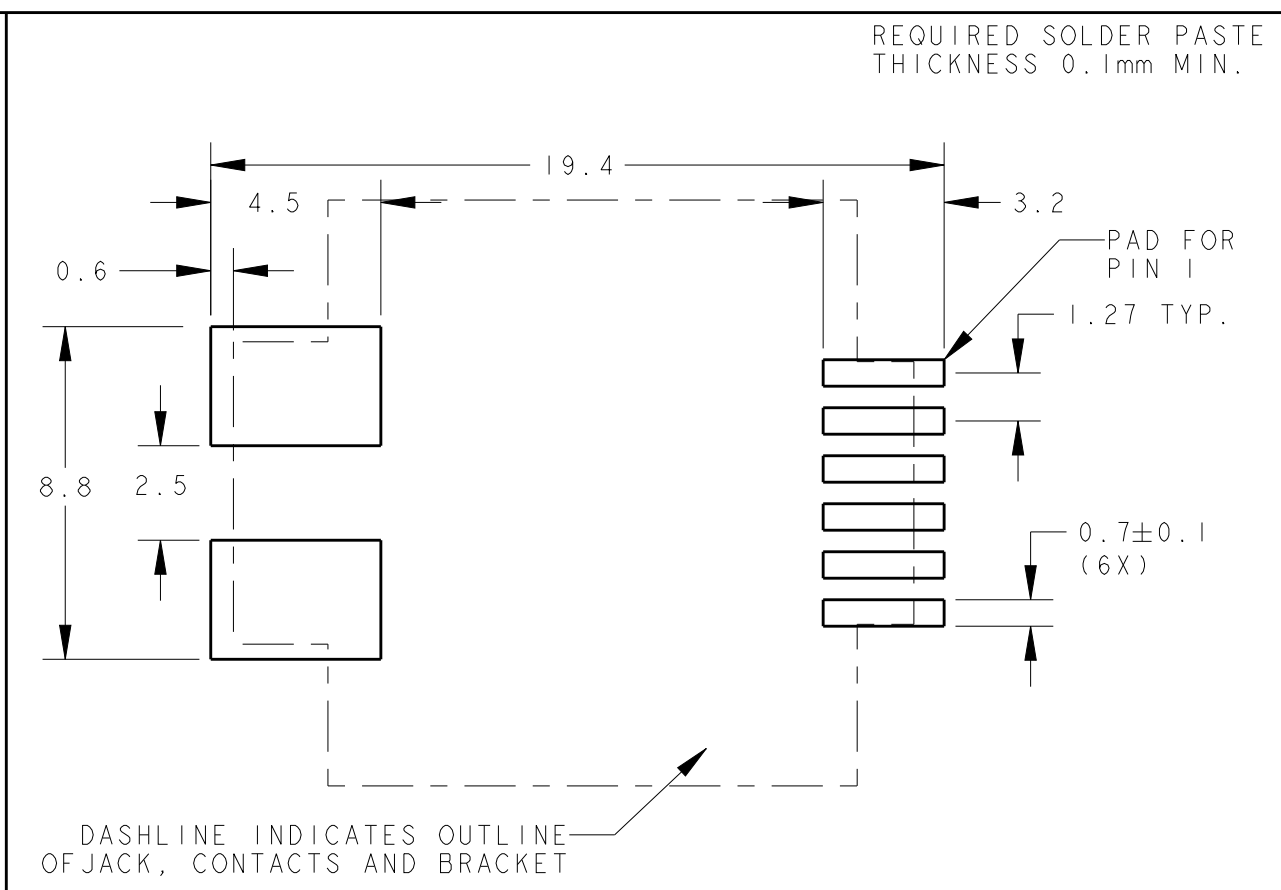
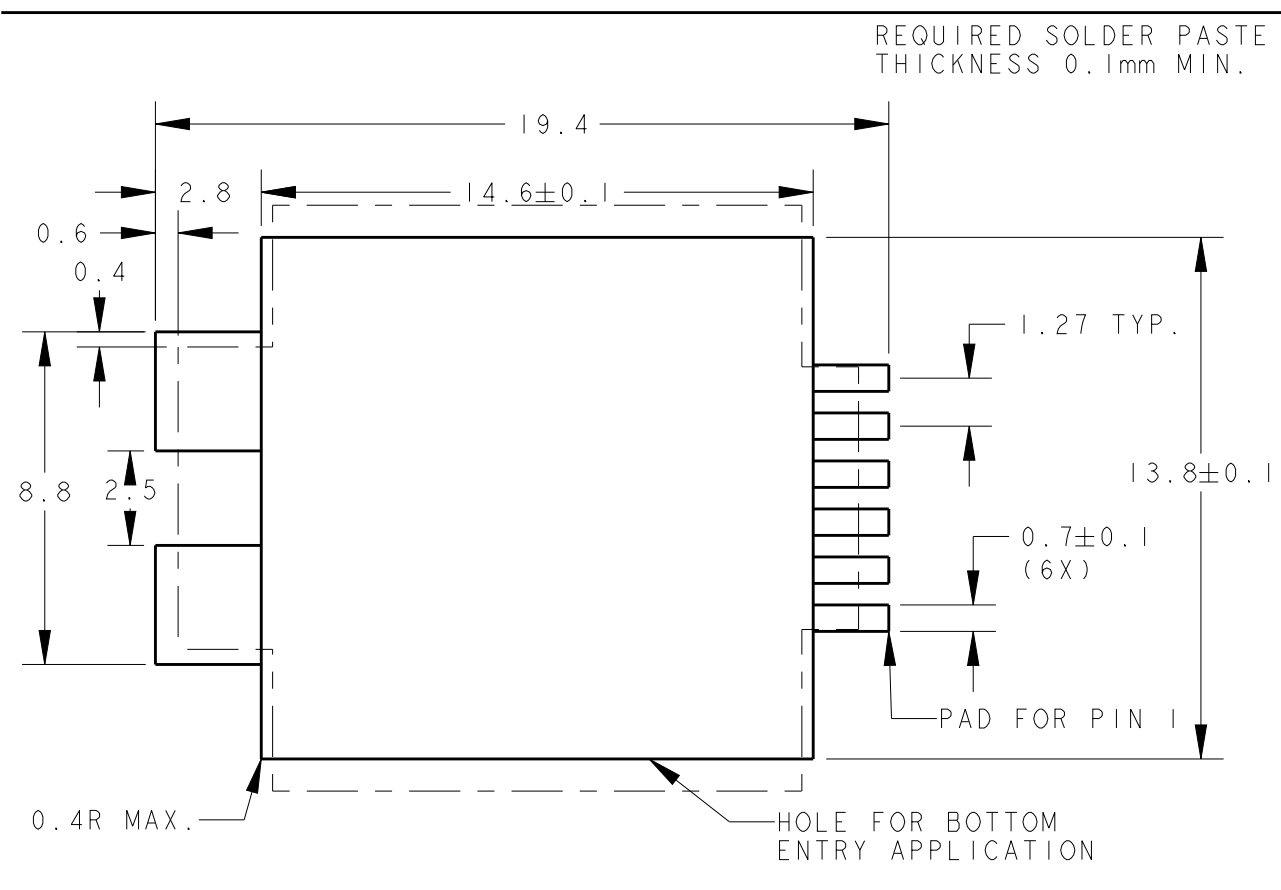
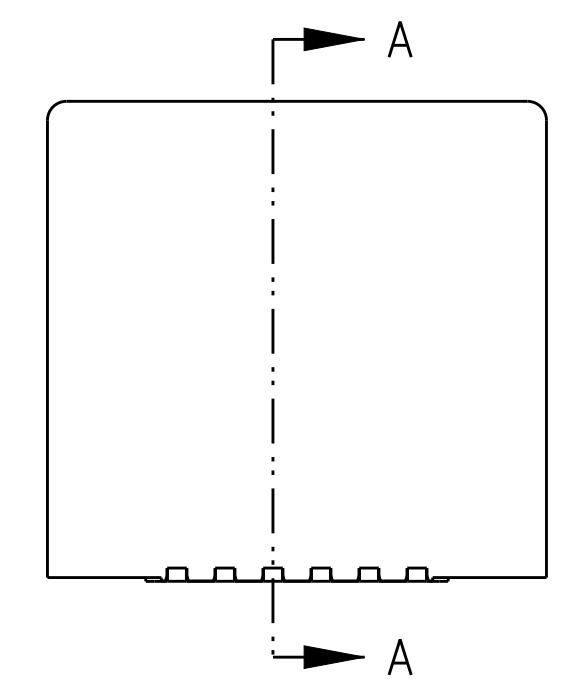
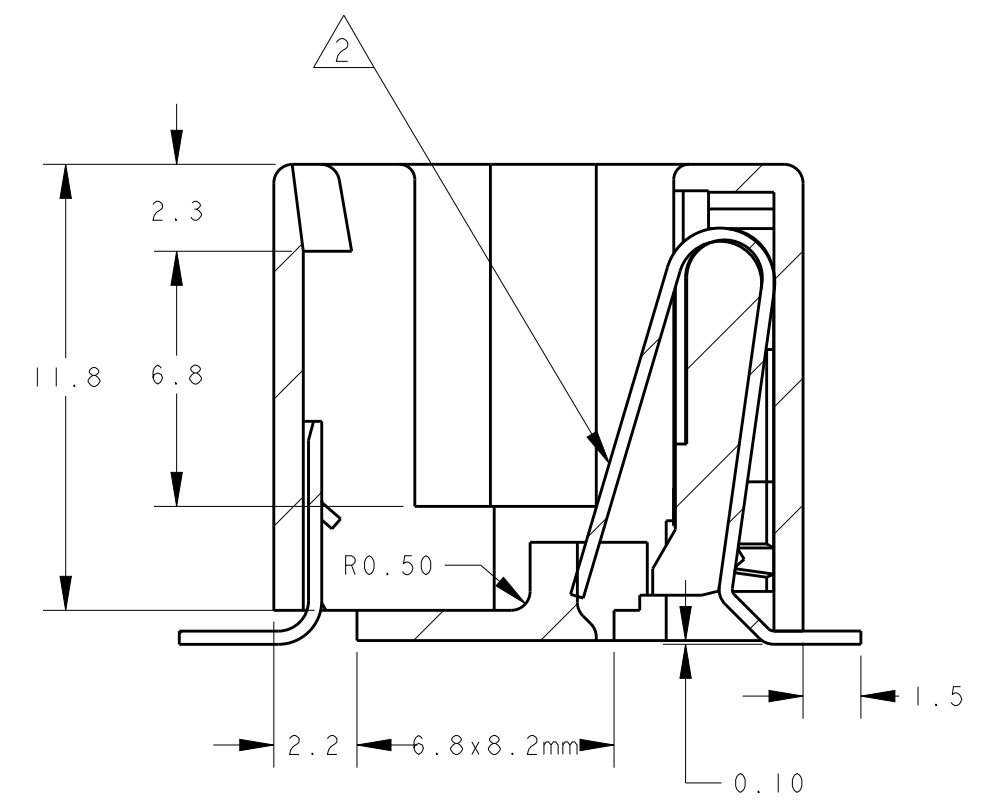
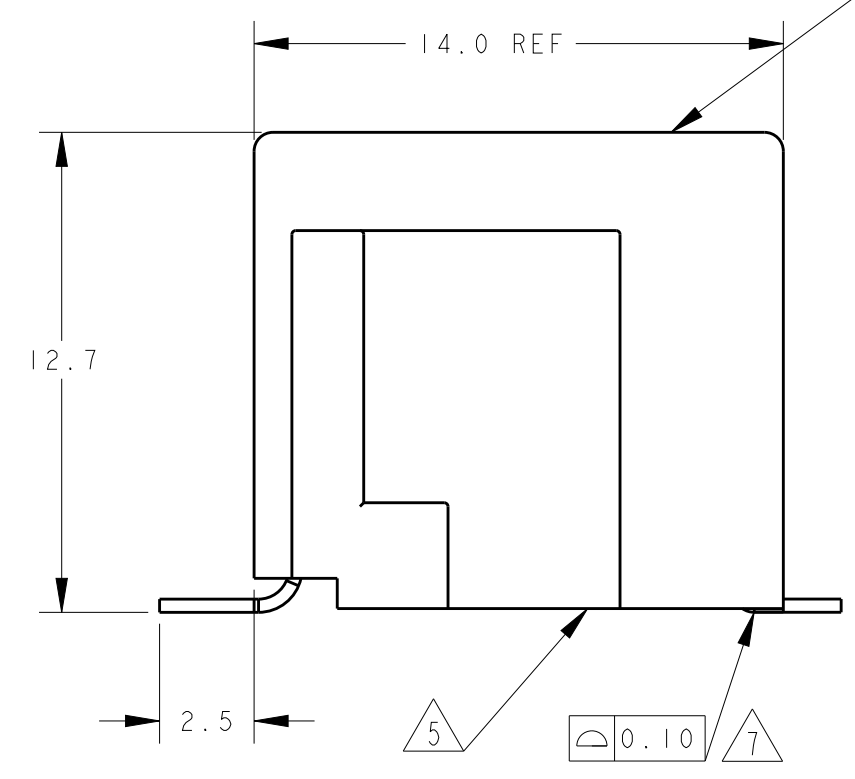
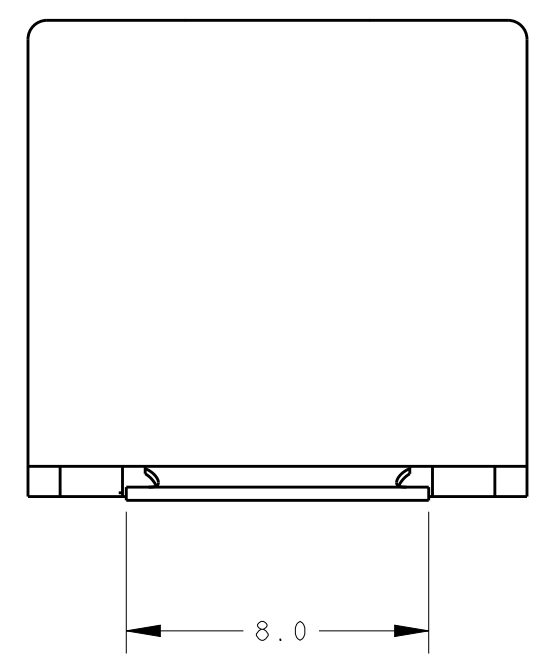
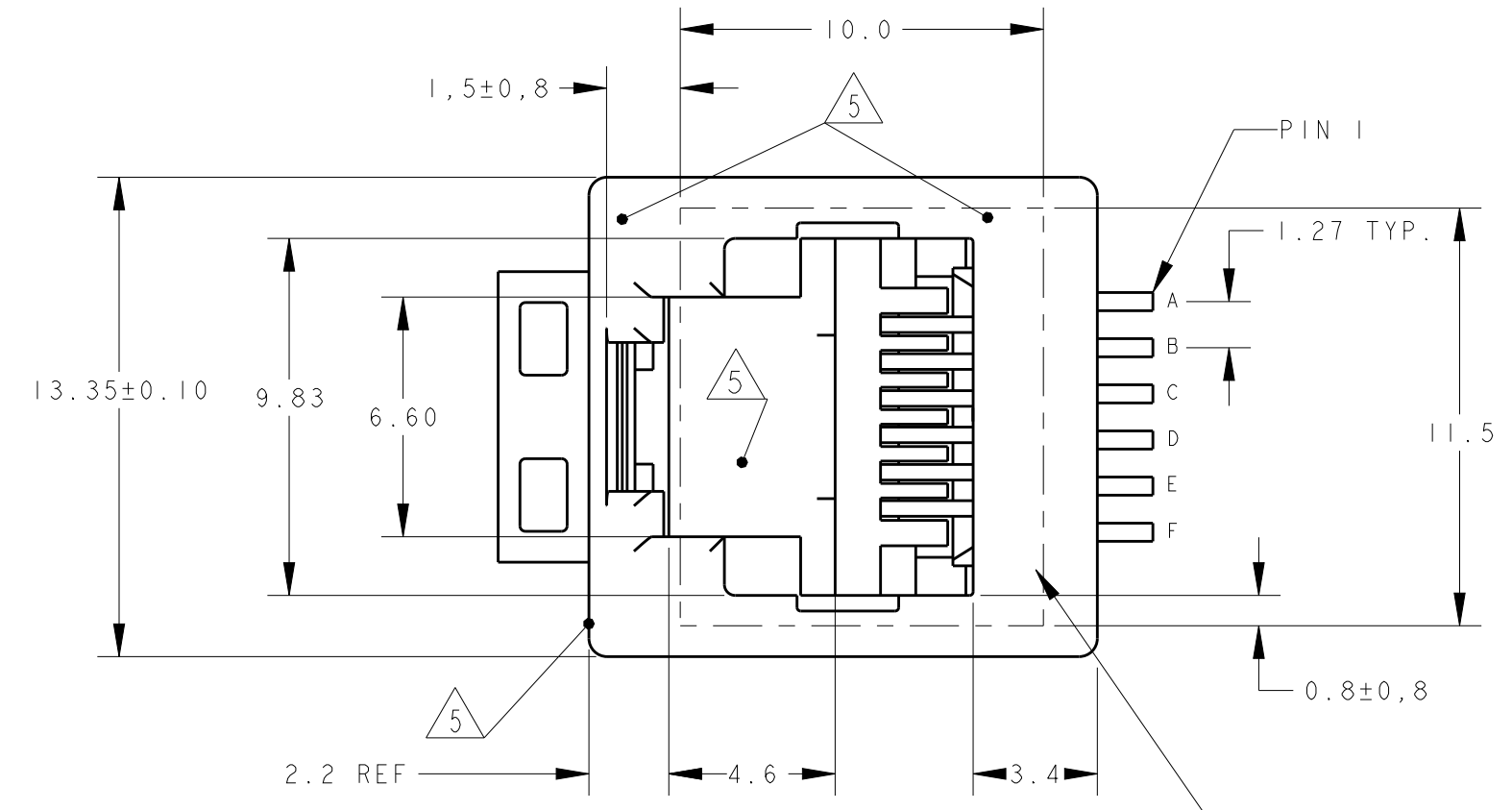
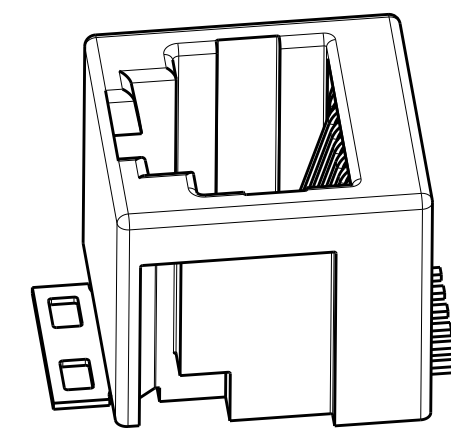


THIS DRAWING IS UNPUBLISHED. RELEASED FOR PUBLICATION
 © COPYRIGHT - TE CONNECTIVITY ALL RIGHTS RESERVED.

| LOC | | DIST | | REVISIONS | | | |
|-----|-----|--|-----------|-----------|------|--|--|
| P | LTR | DESCRIPTION | DATE | DWN | APVD | | |
| Y | | HOUSING RIB STRENGTHENED, RAW MATERIAL CHANGED TO PA4T | 06JAN2012 | PS | RRP | | |
| Z | | ECO-16-001320 | 14JUN2016 | AD | SH | | |

NOTES:

- 1 TOLERANCES UNLESS OTHERWISE SPECIFIED: ± 0.15 .
- 2 CONTACT PLATING:
 OVERALL: Ni 1.27 μ m MIN. ALL OVER THE CONTACTS
 SOLDER ZONE: Sn 3.5-5.0 μ m ON THE SOLDER ZONE OF THE CONTACT
 MATING ZONE: PLATING CONFIRMS TO PRODUCT REQUIREMENTS AS PER SPECIFICATION 108-19117
- 3 MATERIALS:
 HOUSING: 30% G.F. LCP, COLOR BLACK, UL 94V-0.
 CONTACTS: PHOSPHOR BRONZE
 SOLDER BRACKET: TINPLATED BRASS WITH NICKEL UNDERPLATE.
- 4 THIS JACK CAN ALSO BE APPLIED HANGING THROUGH A HOLE, IN A PRINTED CIRCUIT BOARD. SEE LEFT PCB LAYOUT.
- 5 SURFACE CAN BE USED FOR PICKING THE MODULAR JACK WITH, TYPE 11 SMD MACHINE.
- 6 ON 1-338086-4 AND 2-338086-4 ONLY CONTACTS B,C,D & E ARE INSTALLED.
- 7 COPLANARITY MEASURED AT HEEL OF CONTACTS
 COPLANARITY AT TIPS OF CONTACTS MAX. 0.18 mm
- 8 TAPE AND REEL PACKAGING ACCORDING TO EIA 481-3 SPECIFICATIONS.
- 9 INCLUDES KAPTON TAPE (10x11,5mm) ON TOP SURFACE AS PICK AND PLACE FEATURE.
- 10 OBSOLETE PARTS: OBSOLETE CIS STREAMLINIG PER D. RENAUD/D.SINSI



| POS. / CONT. | PACKAGING | PART NUMBER |
|------------------|---|-------------|
| 6 POS. / 6 CONT. | 750 PCS ON \varnothing 560mm OD REEL. | 2-338086-5 |
| 6 POS. / 4 CONT. | 750 PCS ON \varnothing 560mm OD REEL. | 2-338086-4 |
| 6 POS. / 6 CONT. | TOP ENTRY ORIENTATION PER DETAIL B1 | 2-338086-3 |
| 6 POS. / 4 CONT. | 300 PCS ON \varnothing 360mm OD REEL. | 1-338086-7 |
| 6 POS. / 6 CONT. | TOP ENTRY ORIENTATION PER DETAIL B1 | 1-338086-6 |
| 6 POS. / 6 CONT. | 300 PCS ON \varnothing 360mm OD REEL. | 1-338086-5 |
| 6 POS. / 4 CONT. | BOTTOM ENTRY ORIENTATION PER DETAIL B2 | 1-338086-5 |
| 6 POS. / 4 CONT. | 300 PCS ON \varnothing 360mm OD REEL. | 1-338086-4 |
| 6 POS. / 6 CONT. | TOP ENTRY ORIENTATION PER DETAIL B1 | 1-338086-3 |

THIS DRAWING IS A CONTROLLED DOCUMENT.

DWN: E.v.EIJK 22-Nov-96
 CHK: E. STELLINGA DEC-96

APVD: R. SMEETS

PRODUCT SPEC: 108-19117
 APPLICATION SPEC: 114-19041

MATERIAL: SEE NOTE 3 -
 FINISH: SEE NOTE 2 -

SCALE: 1:1
 SHEET 1 OF 2
 REV 7

STE TE Connectivity

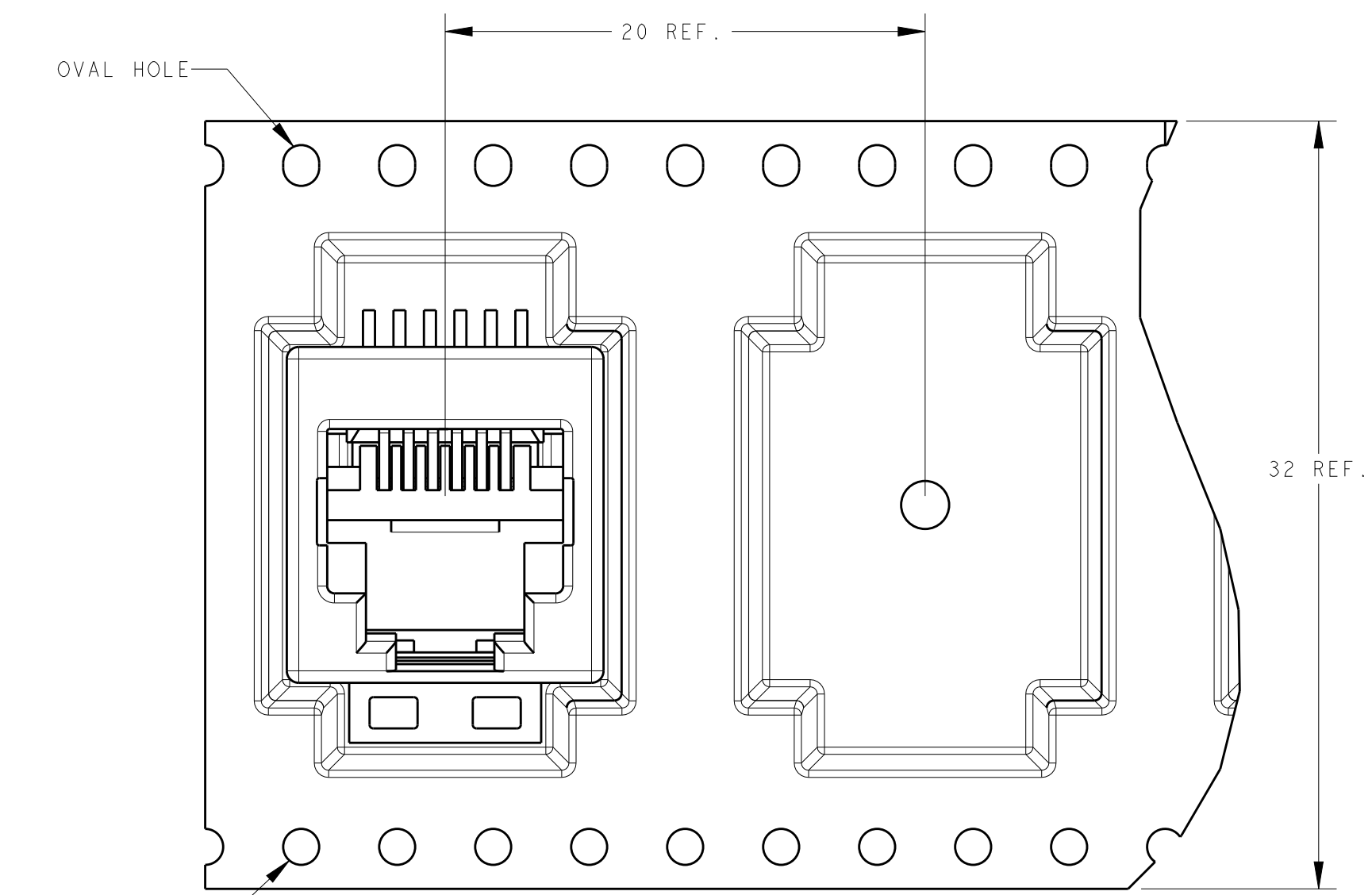
NAME: INVERTIBLE MODULAR JACK ASSEMBLY
 SURFACE MOUNT APPLICATION
 6/6 AND 6/4 POSITION LINE

SIZE: A2
 CAGE CODE: 0779
 DRAWING NO: C-338086

CUSTOMER DRAWING

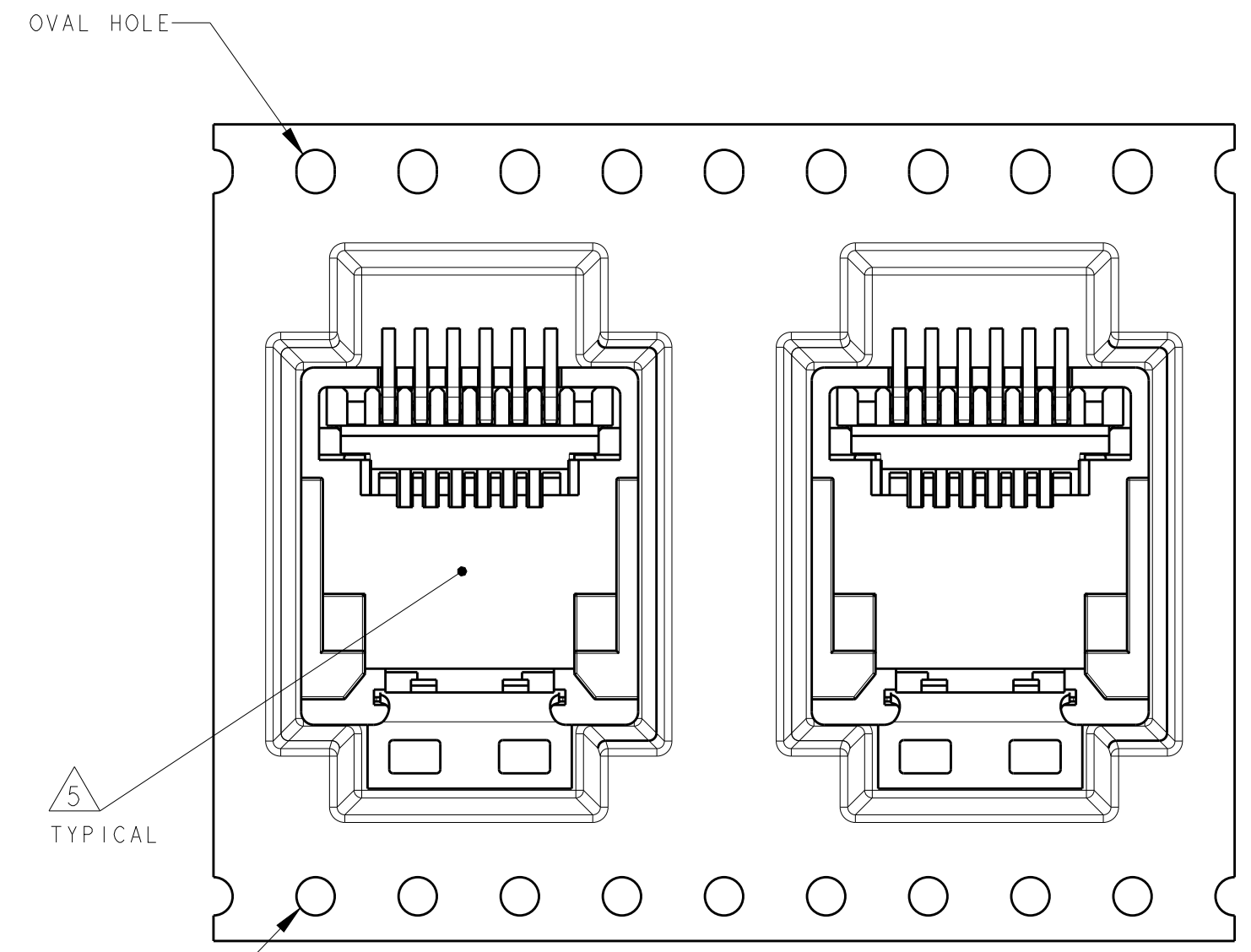
THIS DRAWING IS UNPUBLISHED. RELEASED FOR PUBLICATION
 © COPYRIGHT - TE CONNECTIVITY ALL RIGHTS RESERVED.

| LOC | DIST | REVISIONS | | | |
|-----|------|-------------|------|-----|------|
| P | LTR | DESCRIPTION | DATE | DWN | APVD |
| - | - | SEE SHEET 1 | - | - | - |



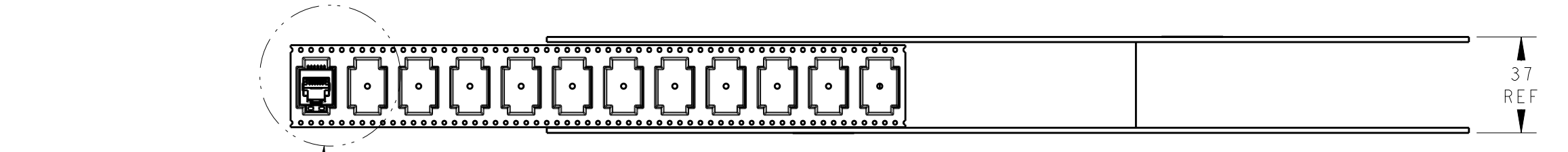
TOP ENTRY ORIENTATION.

DETAIL B1
SCALE 4:1

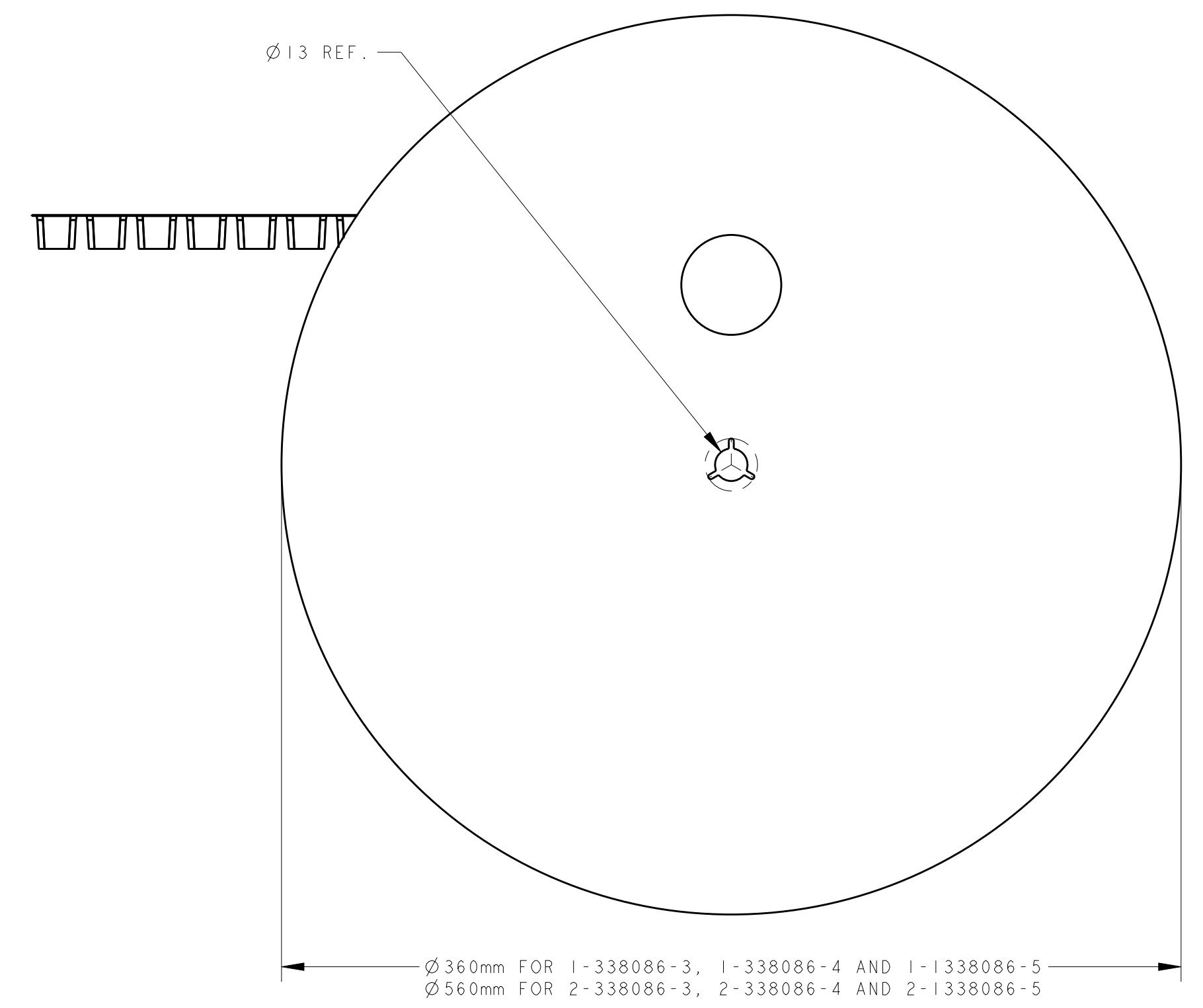


BOTTOM ENTRY ORIENTATION.

DETAIL B2
SCALE 4:1



SEE DETAIL B1 & B2



| | | | | |
|---|--|-------------------------------|--|--------------------|
| THIS DRAWING IS A CONTROLLED DOCUMENT. | | DWN E.V.EIJK 22-Nov-96 | TE Connectivity | |
| DIMENSIONS: mm | | CHK R.SMEETS DEC-96 | | |
| TOLERANCES UNLESS OTHERWISE SPECIFIED: | | APVD R.SMEETS | NAME INVERTIBLE MODULAR JACK ASSEMBLY SURFACE MOUNT APPLICATION 6/6 AND 6/4 POSITION LINE | |
| 0 PLC ± 1 PLC ± 2 PLC ± 3 PLC ± 4 PLC ± ANGLES ± FINISH ± | | PRODUCT SPEC 108-19117 | SIZE 114-19041 | RESTRICTED TO - |
| MATERIAL - | | APPLICATION SPEC 114-19041 | WEIGHT - | SCALE 1:2 |
| | | CUSTOMER DRAWING | SIZE A20779 | SCALE 1:2 |
| | | | DRAWING NO C-338086 | SHEET 2 OF 2 |
| | | | | REV Z |

X-ON Electronics

Largest Supplier of Electrical and Electronic Components

Click to view similar products for [Modular Connectors / Ethernet Connectors](#) category:

Click to view products by [TE Connectivity](#) manufacturer:

Other Similar products are found below :

[8949-H88/06BLKA/SN](#) [74441-0010/BKN](#) [MP1010RX-1000](#) [MP44RX-1000](#) [PHJ-4P4C-1-V-4](#) [PHP-6P6C-5](#) [GAX-3-66](#) [GAX-8-62](#) [GDCX-PA-66-50](#) [GDCX-PN-64](#) [GDCX-PN-66](#) [GDCX-PN-66-50](#) [GDLX-A-66](#) [GDLX-N-66](#) [GDLX-S-66](#) [GDLX-S-88K](#) [GDTX-S-88-50](#) [GDX-PA-1010](#) [GLX-N-1010M-BLK](#) [GLX-S-88M-BLK](#) [GMX-N-1010](#) [GMX-S-1010](#) [GMX-S-66](#) [GMX-SMT4-N-88](#) [GPX-2-64](#) [GSGX-N-2-88](#) [GSGX-N-4-88](#) [GSX-NS2-88-3.05](#) [GSX-NS2-88-3.05-50](#) [GSX-NS-88-3.05-50](#) [PT-108A-8C-UL](#) [PT-J951-8C](#) [PTS-J531-8CS-50UL](#) [1-1775629-2](#) [A-2014-0-4](#) [GWLX-S-88-GR](#) [GWLX-S9-88-YG](#) [DC-1021-8-WH-6](#) [1300530003](#) [1324640-4](#) [RJ11FTVC2G](#) [RJ11FTVC2N](#) [RJFTVX2SA1G](#) [132764-001](#) [1413235](#) [MP88X-1000](#) [MPS88RX-5000](#) [E5288-S000K3-L](#) [E5908-15A242-L](#) [155302-001](#)