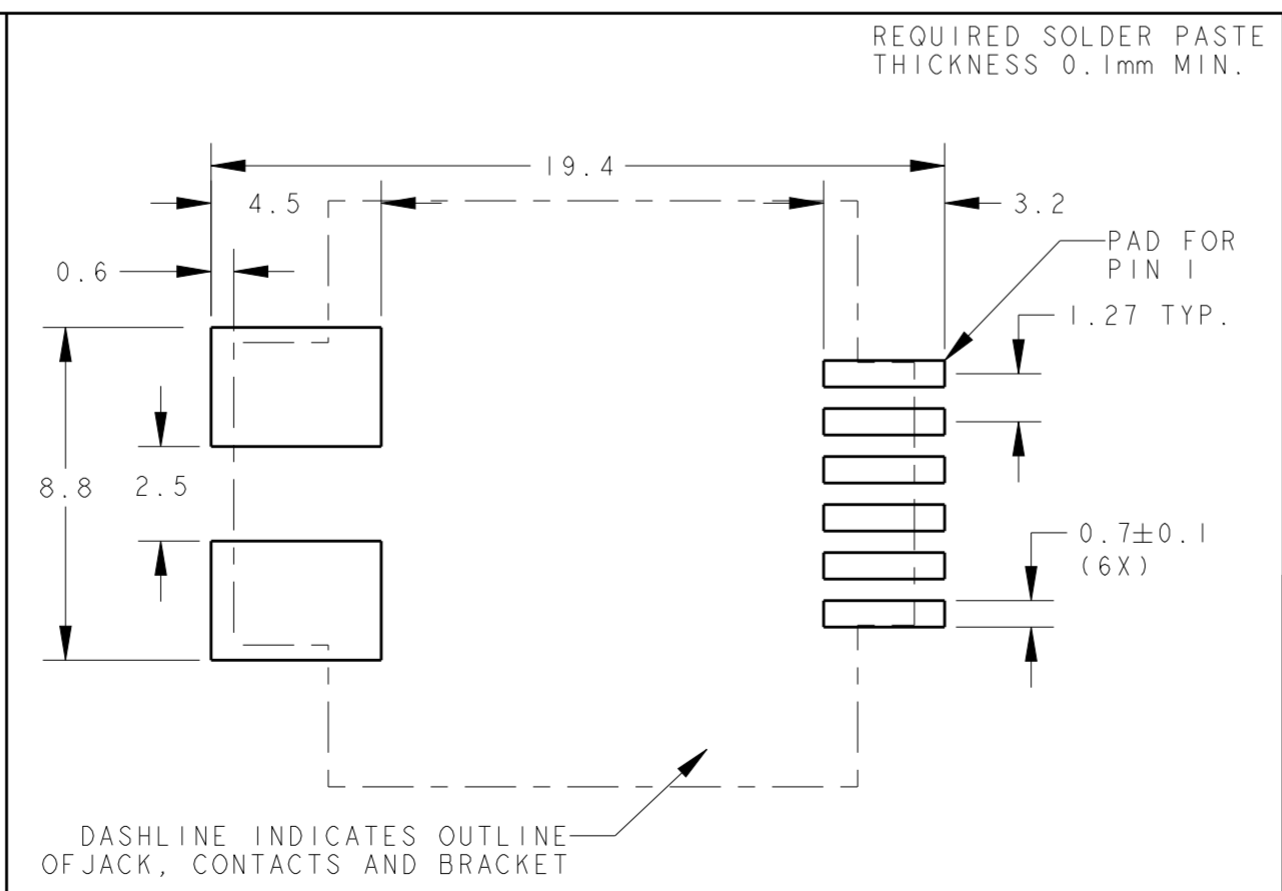
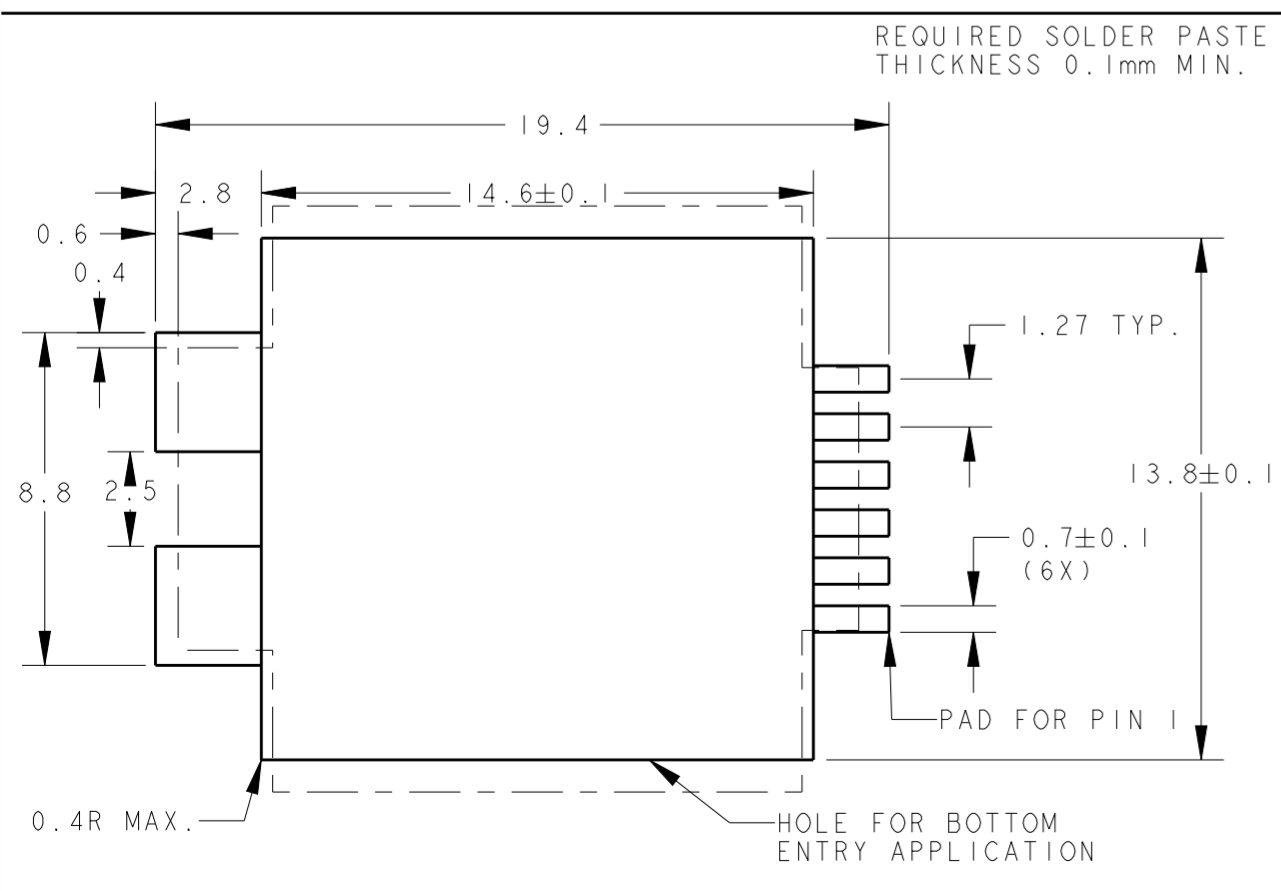
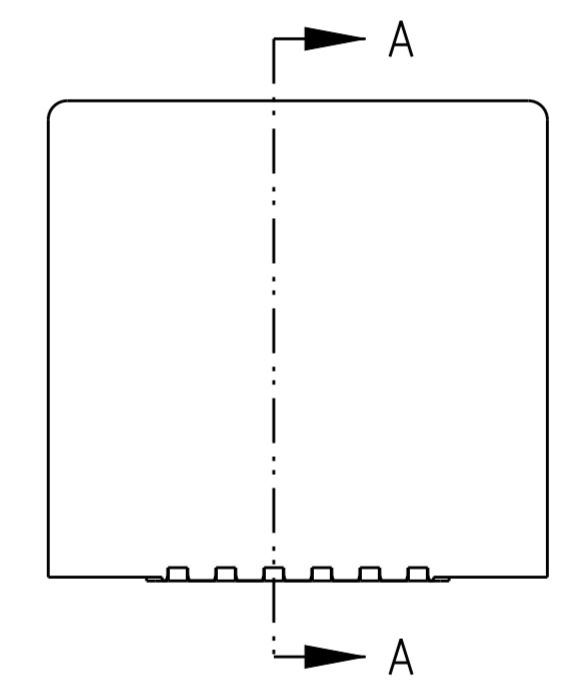
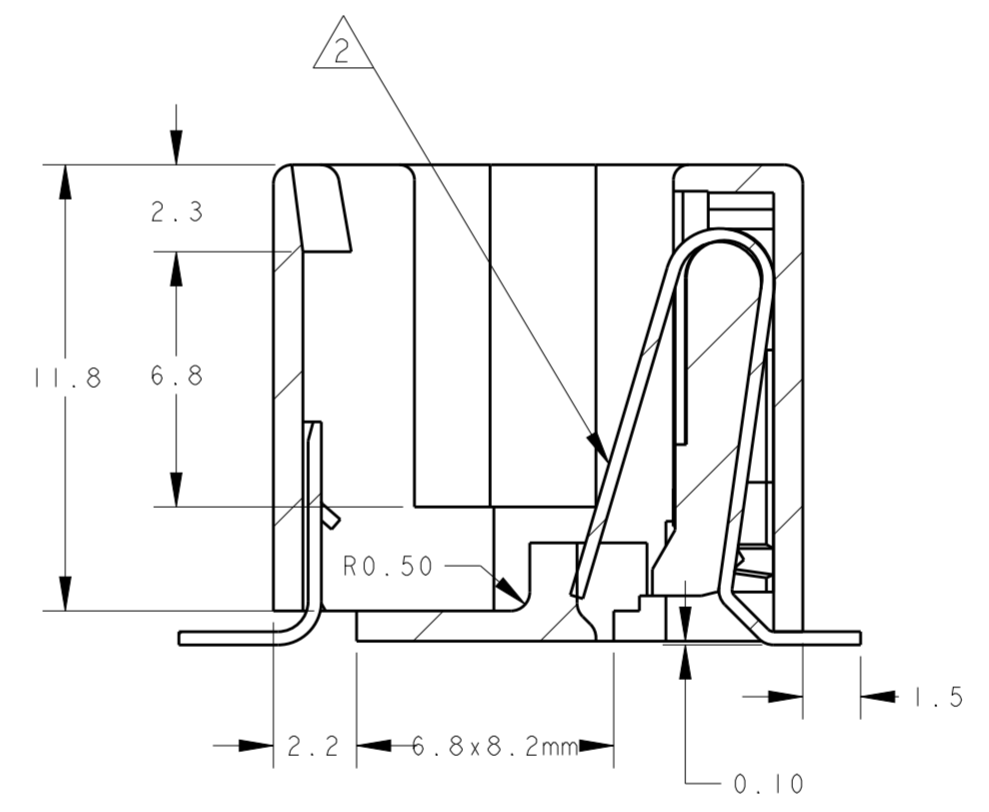
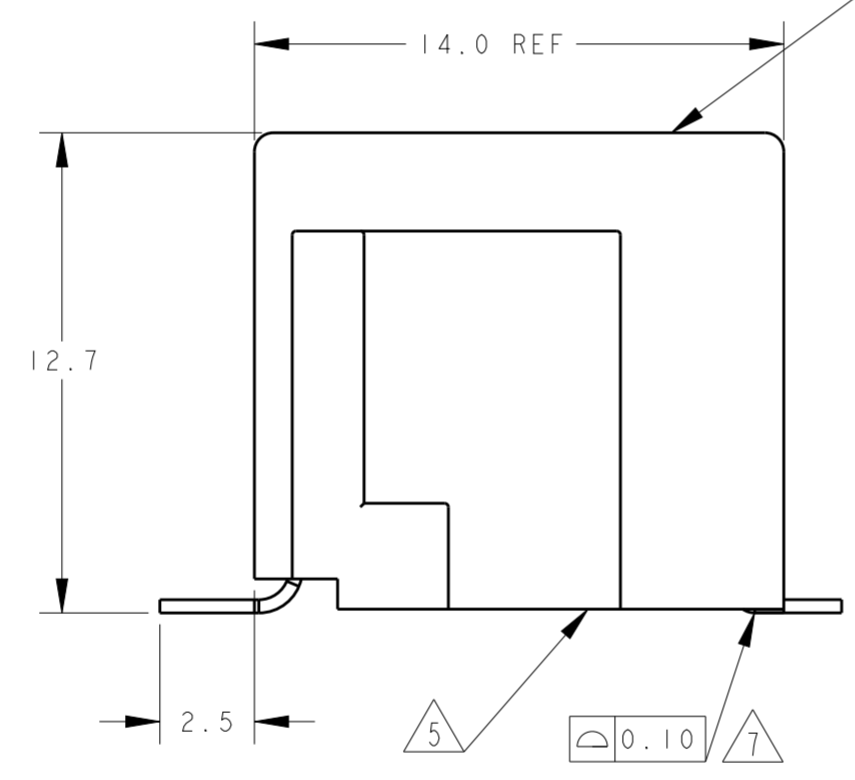
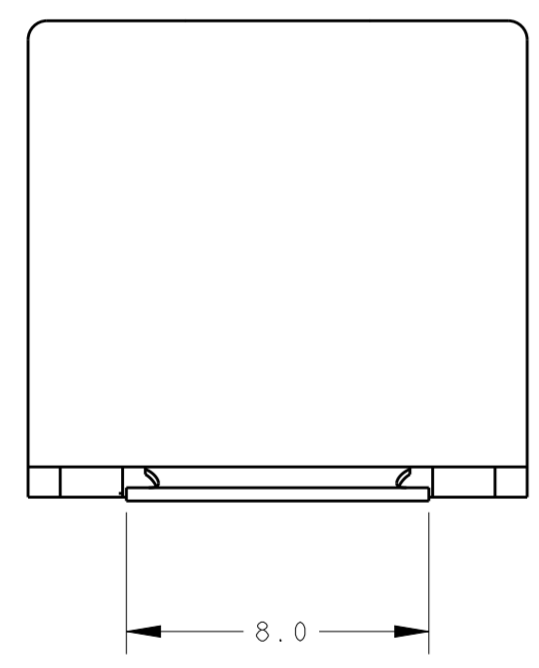
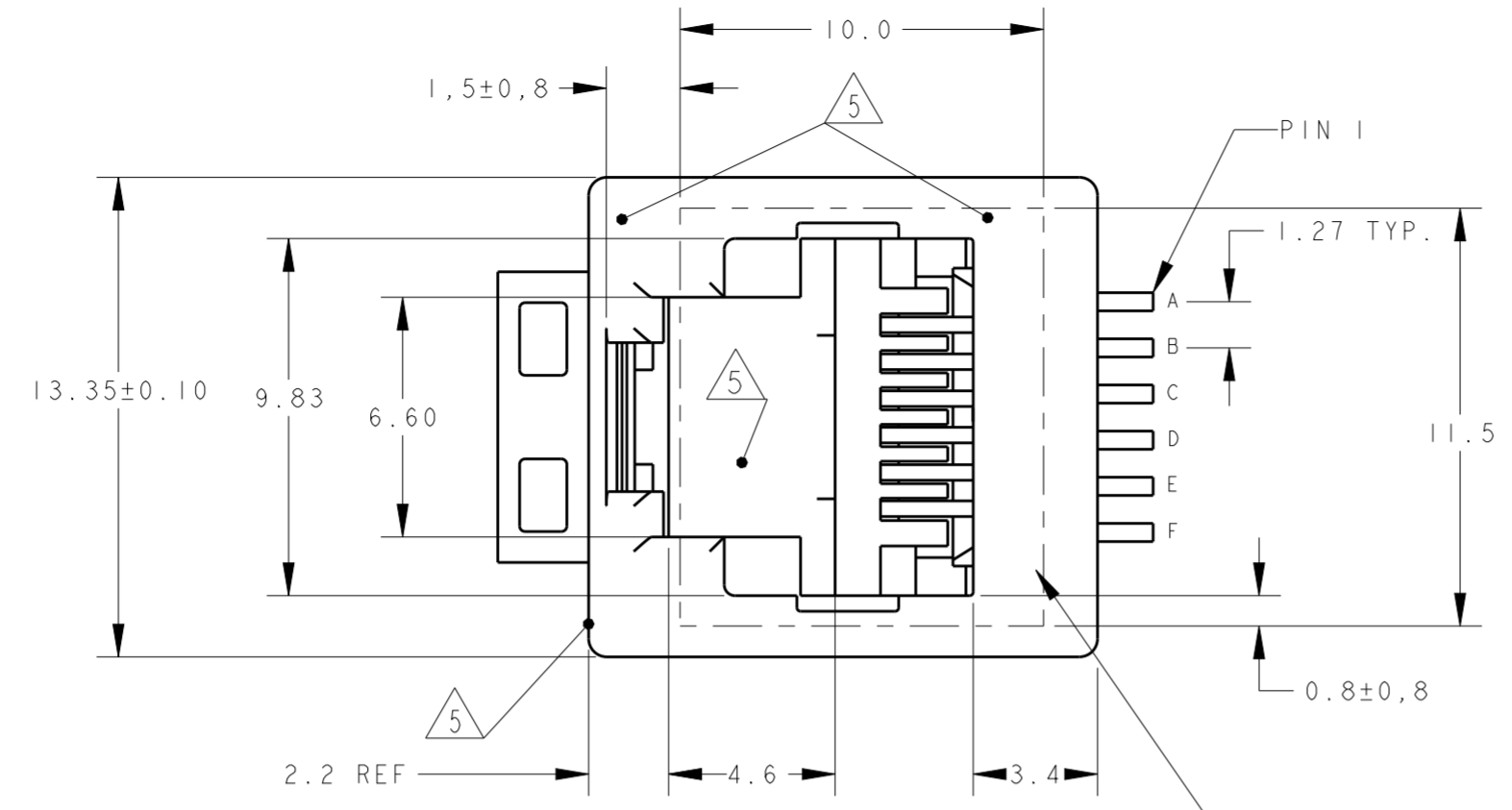
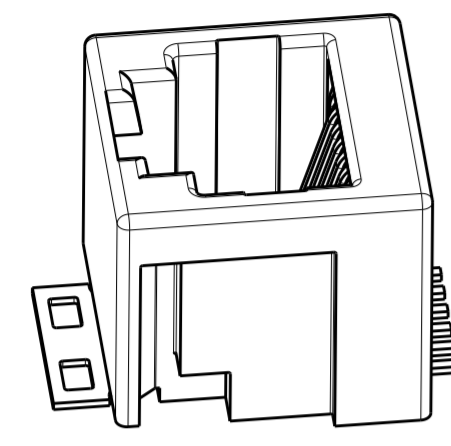


THIS DRAWING IS UNPUBLISHED. RELEASED FOR PUBLICATION
 © COPYRIGHT - TE CONNECTIVITY ALL RIGHTS RESERVED.

LOC		DIST		REVISIONS			
P	LTR	DESCRIPTION	DATE	DWN	APVD		
	Y	HOUSING RIB STRENGTHENED, RAW MATERIAL CHANGED TO PA4T	06JAN2012	PS	RRP		
	Z	ECO-16-001320	14JUN2016	AD	SH		

NOTES:

- 1 TOLERANCES UNLESS OTHERWISE SPECIFIED: ± 0.15 .
- 2 CONTACT PLATING:
 OVERALL: Ni 1.27 μ m MIN. ALL OVER THE CONTACTS
 SOLDER ZONE: Sn 3.5-5.0 μ m ON THE SOLDER ZONE OF THE CONTACT
 MATING ZONE: PLATING CONFIRMS TO PRODUCT REQUIREMENTS AS PER SPECIFICATION 108-19117
- 3 MATERIALS:
 HOUSING: 30% G.F. LCP, COLOR BLACK, UL 94V-0.
 CONTACTS: PHOSPHOR BRONZE
 SOLDER BRACKET: TINPLATED BRASS WITH NICKEL UNDERPLATE.
- 4 THIS JACK CAN ALSO BE APPLIED HANGING THROUGH A HOLE, IN A PRINTED CIRCUIT BOARD. SEE LEFT PCB LAYOUT.
- 5 SURFACE CAN BE USED FOR PICKING THE MODULAR JACK WITH, TYPE 11 SMD MACHINE.
- 6 ON 1-338086-4 AND 2-338086-4 ONLY CONTACTS B,C,D & E ARE INSTALLED.
- 7 COPLANARITY MEASURED AT HEEL OF CONTACTS
 COPLANARITY AT TIPS OF CONTACTS MAX. 0.18 mm
- 8 TAPE AND REEL PACKAGING ACCORDING TO EIA 481-3 SPECIFICATIONS.
- 9 INCLUDES KAPTON TAPE (10x11,5mm) ON TOP SURFACE AS PICK AND PLACE FEATURE.
- 10 OBSOLETE PARTS: OBSOLETE CIS STREAMLINIG PER D. RENAUD/D.SINSI



POS./CONT.	PACKAGING	PART NUMBER
6 POS./6 CONT.	750 PCS ON \varnothing 560mm OD REEL.	2-338086-5
6 POS./4 CONT.	750 PCS ON \varnothing 560mm OD REEL.	2-338086-4
6 POS./6 CONT.	TOP ENTRY ORIENTATION PER DETAIL B1	2-338086-3
6 POS./4 CONT.	300 PCS ON \varnothing 360mm OD REEL.	1-338086-7
6 POS./6 CONT.	TOP ENTRY ORIENTATION PER DETAIL B1	1-338086-6
6 POS./6 CONT.	300 PCS ON \varnothing 360mm OD REEL.	1-338086-5
6 POS./4 CONT.	BOTTOM ENTRY ORIENTATION PER DETAIL B2	1-338086-5
6 POS./4 CONT.	300 PCS ON \varnothing 360mm OD REEL.	1-338086-4
6 POS./6 CONT.	TOP ENTRY ORIENTATION PER DETAIL B1	1-338086-3

THIS DRAWING IS A CONTROLLED DOCUMENT.

DWN: E.v.EIJK 22-Nov-96
 CHK: E. STELLINGA DEC-96

APVD: R. SMEETS

PRODUCT SPEC: 108-19117
 APPLICATION SPEC: 114-19041

MATERIAL: SEE NOTE 3 -
 FINISH: SEE NOTE 2 -

SCALE: 1:1

SHEET 1 OF 2

REV 7

STE TE Connectivity

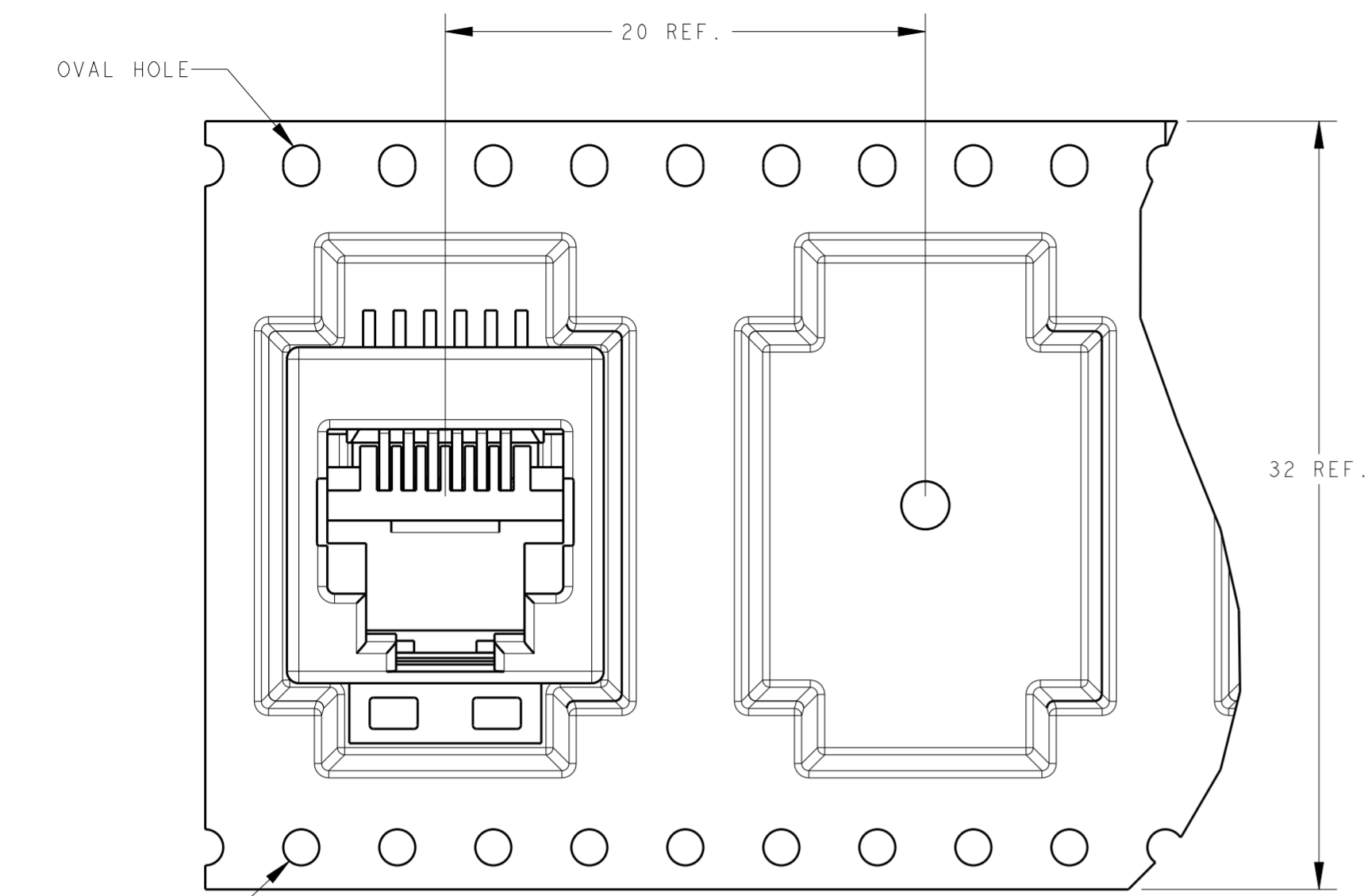
INVERTIBLE MODULAR JACK ASSEMBLY
 SURFACE MOUNT APPLICATION
 6/6 AND 6/4 POSITION LINE

SIZE: A2
 CAGE CODE: 0779
 DRAWING NO: C-338086

CUSTOMER DRAWING

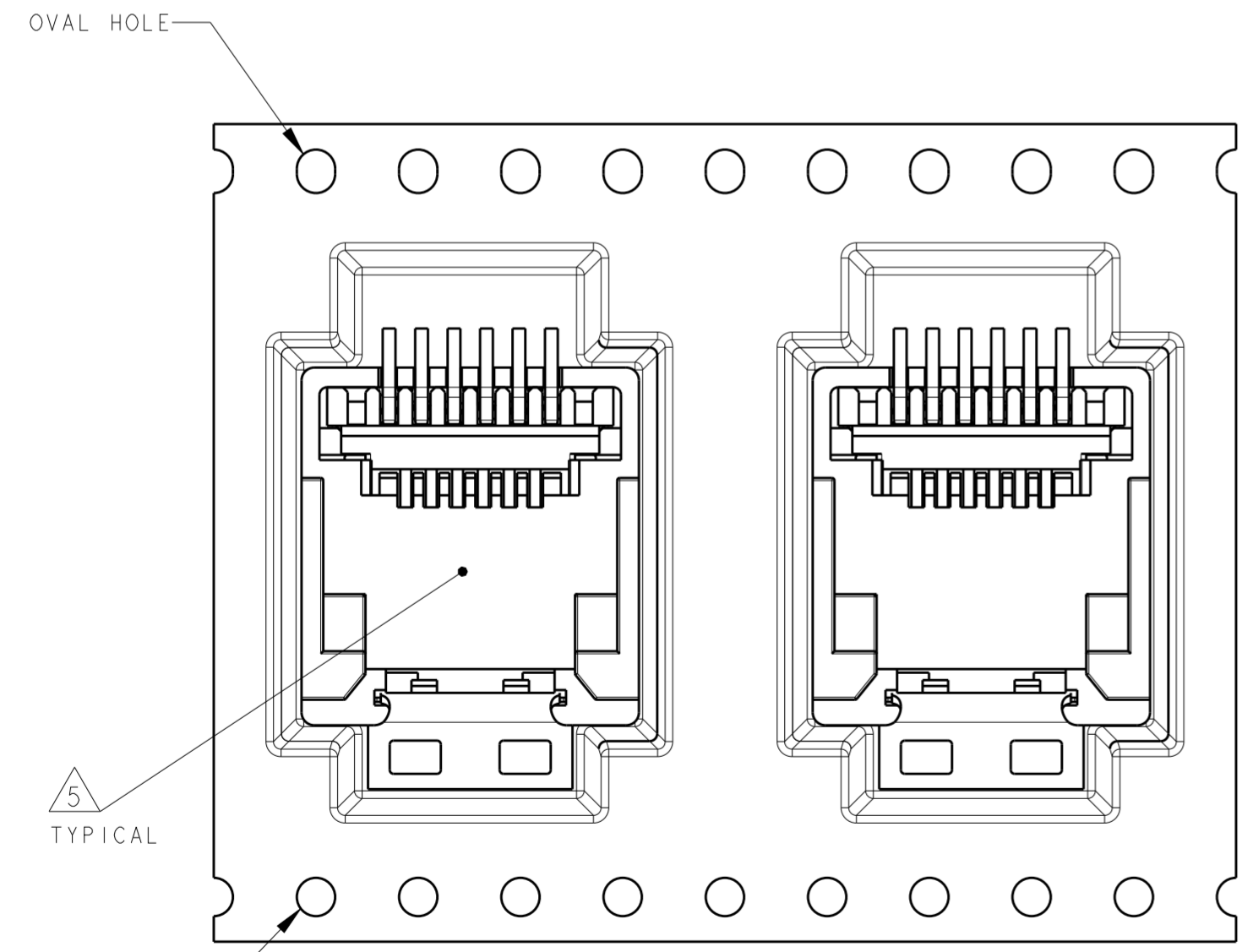
THIS DRAWING IS UNPUBLISHED. RELEASED FOR PUBLICATION
 © COPYRIGHT - TE CONNECTIVITY ALL RIGHTS RESERVED.

LOC	DIST	REVISIONS			
P	LTR	DESCRIPTION	DATE	DWN	APVD
IR	-	SEE SHEET 1	-	-	-



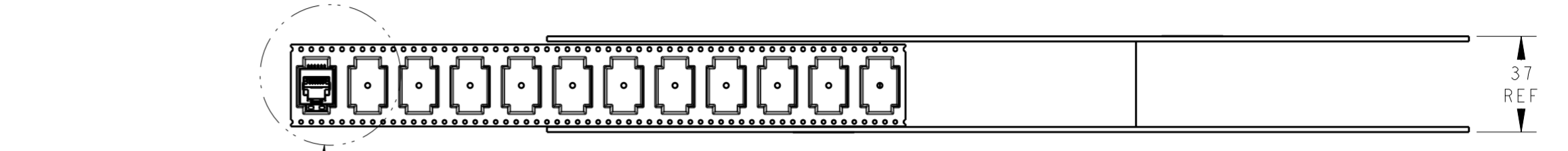
TOP ENTRY ORIENTATION.

DETAIL B1
SCALE 4:1

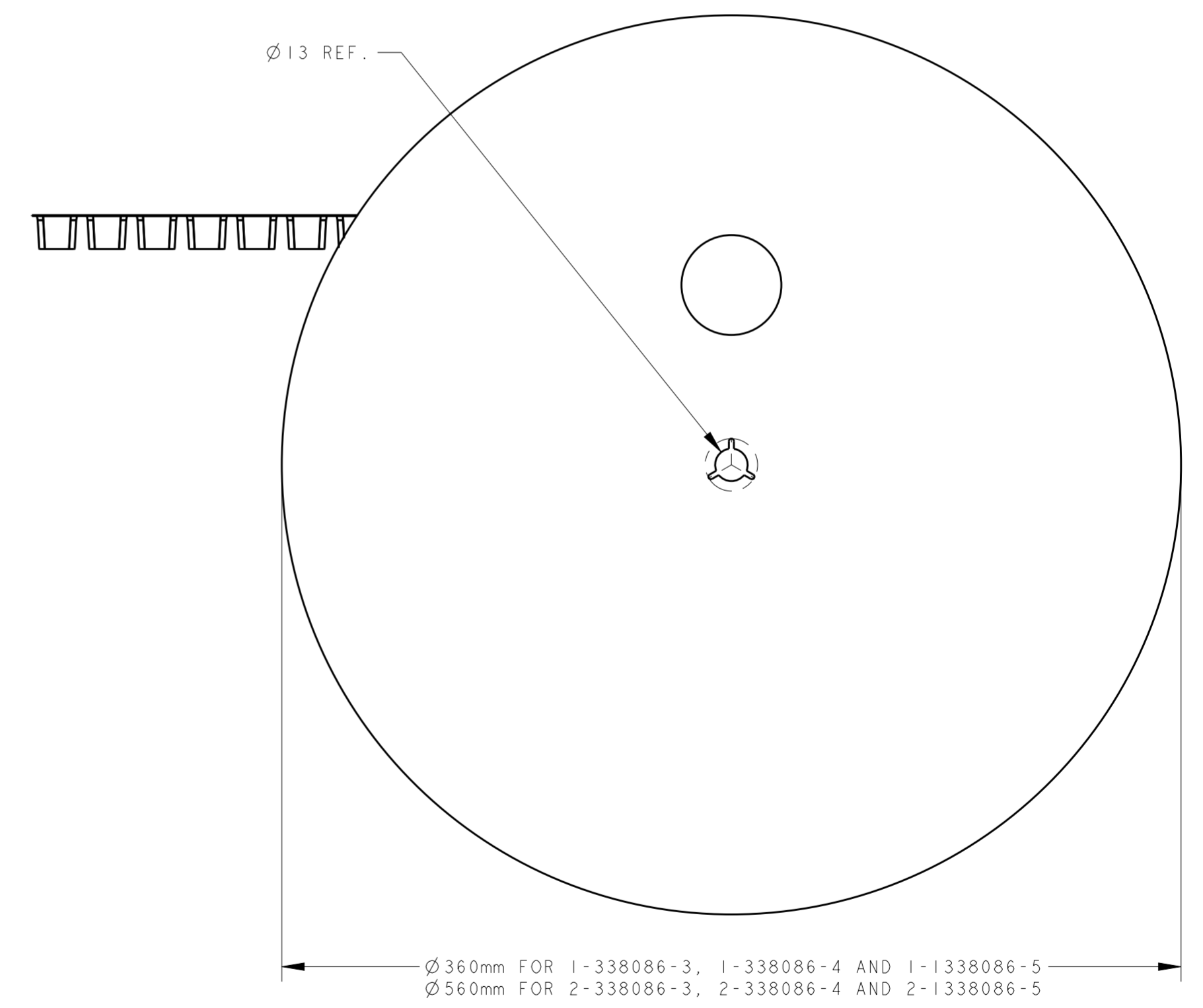


BOTTOM ENTRY ORIENTATION.

DETAIL B2
SCALE 4:1



SEE DETAIL B1 & B2



THIS DRAWING IS A CONTROLLED DOCUMENT.		DWN E.V.EIJK 22-Nov-96	TE Connectivity	
DIMENSIONS: mm		CHK R.SMEETS DEC-96		
TOLERANCES UNLESS OTHERWISE SPECIFIED:		APVD R.SMEETS	NAME INVERTIBLE MODULAR JACK ASSEMBLY SURFACE MOUNT APPLICATION 6/6 AND 6/4 POSITION LINE	
0 PLC ±		PRODUCT SPEC 108-19117	SIZE A20779	
1 PLC ±		APPLICATION SPEC 114-19041	CAGE CODE C-338086	
2 PLC ±		WEIGHT -	DRAWING NO -	
3 PLC ±		MATERIAL -	RESTRICTED TO -	
4 PLC ±			SCALE 1:2 SHEET 2 OF 2 REV 7	
ANGLES ±		CUSTOMER DRAWING		
FINISH				

X-ON Electronics

Largest Supplier of Electrical and Electronic Components

Click to view similar products for [Modular Connectors / Ethernet Connectors](#) category:

Click to view products by [TE Connectivity](#) manufacturer:

Other Similar products are found below :

[8949-H88/06BLKA/SN](#) [74441-0010/BKN](#) [MP1010RX-1000](#) [MP44RX-1000](#) [PHJ-4P4C-1-V-4](#) [PHP-6P6C-5](#) [GAX-3-66](#) [GAX-8-62](#) [GDCX-PA-66-50](#) [GDCX-PN-64](#) [GDCX-PN-66](#) [GDCX-PN-66-50](#) [GDLX-A-66](#) [GDLX-N-66](#) [GDLX-S-66](#) [GDLX-S-88K](#) [GDLX-SMT-S-88](#) [GDTX-S-88-50](#) [GDX-PA-1010](#) [GLX-N-1010M-BLK](#) [GLX-S-88M-BLK](#) [GMX-N-1010](#) [GMX-S-1010](#) [GMX-S-66](#) [GMX-SMT4-N-88](#) [GPX-2-64](#) [GSGX-N-2-88](#) [GSGX-N-4-88](#) [GSX-NS2-88-3.05](#) [GSX-NS2-88-3.05-50](#) [GSX-NS-88-3.05-50](#) [PT-108A-8C-UL](#) [PT-J951-8C](#) [PTS-J531-8CS-50UL](#) [1-1775629-2](#) [A-2014-0-4](#) [GWLX-S-88-GR](#) [GWLX-S9-88-YG](#) [DC-1021-8-WH-6](#) [1300530003](#) [1324640-4](#) [RJ11FTVC2G](#) [RJ11FTVC2N](#) [RJFTVX2SA1G](#) [132764-001](#) [1413235](#) [MP88X-1000](#) [MPS88RX-5000](#) [E5288-S000K3-L](#) [E5908-15A242-L](#)