

THIS DRAWING IS UNPUBLISHED.

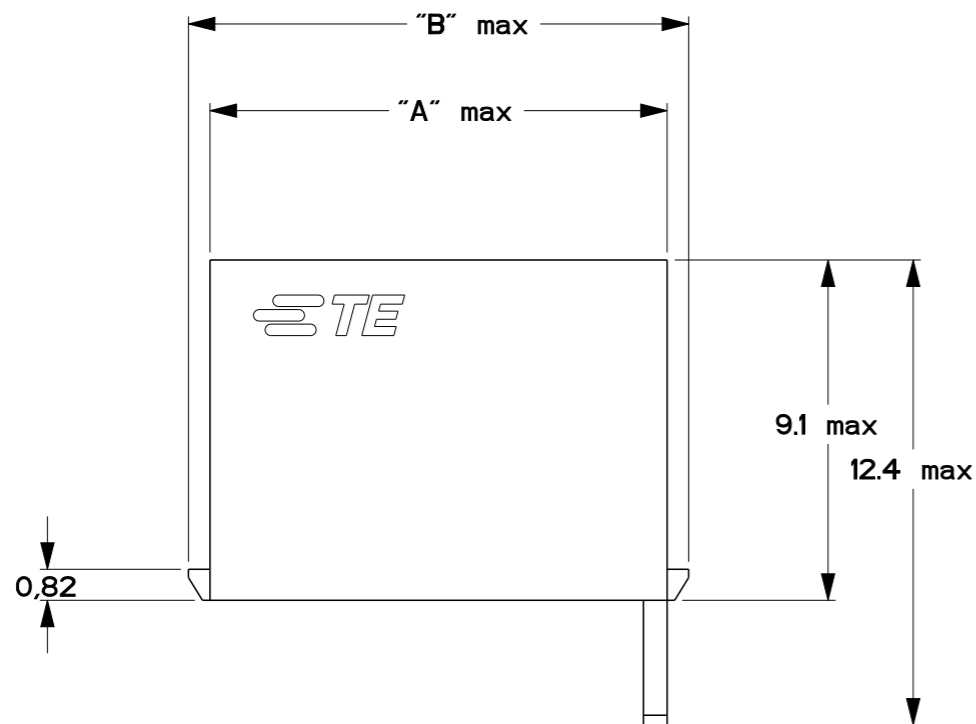
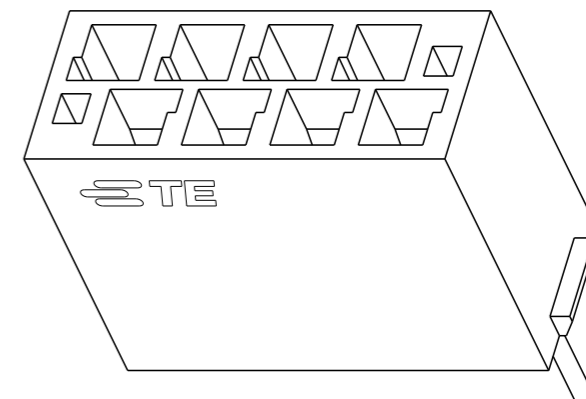
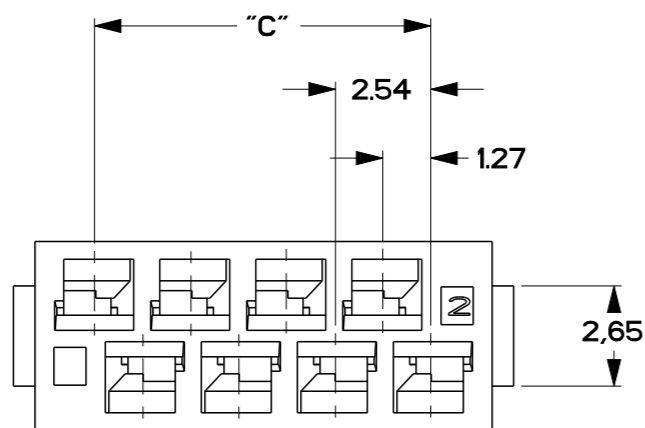
RELEASED FOR PUBLICATION

© COPYRIGHT 1997 BY -

ALL RIGHTS RESERVED.

LOC	DIST
-	-

REVISIONS					
P	LTR	DESCRIPTION	DATE	DWN	APVD
	C1	AMP LOGO CHANGED TO TE LOGO.	11DEC2014	NV	PS



POLARIZATION PIN

NUMBER OF POSITIONS	PART NUMBER	DIM "A" max	DIM "B" max	DIM C	PCS PER BOX
4	0-338095-4	7.2	8.4	3.81	900
6	0-338095-6	9.8	10.9	6.35	700
8	0-338095-8	12.3	13.5	8.89	500
10	1-338095-0	14.9	16.0	11.43	450
12	1-338095-2	17.4	18.5	13.97	400
14	1-338095-4	19.9	21.1	16.51	350
16	1-338095-6	22.5	23.6	19.05	300
18	1-338095-8	25.0	26.2	21.59	250
20	2-338095-0	27.6	28.7	24.13	200

NOTES:

- 1 8 POSITIONS AS SHOWN.
- 2 CAVITY NUMBERING
- 3 FOR APPLICABLE CRIMP-ON SNAP-IN CONTACTS SEE C-338096 AND C-338097.
- 4. CONTACT POS. 1 CAN BE CHOSEN FROM THE POLARIZATION PIN SIDE

THIS DRAWING IS A CONTROLLED DOCUMENT.		DWN H.v.DELFT 20NOV96	TE Connectivity		
DIMENSIONS: mm		CHK H.v.DELFT 20NOV96			
TOLERANCES UNLESS OTHERWISE SPECIFIED:		APVD -	NAME MICRO MATCH COSI HOUSING		
0 PLC ±0,2 1 PLC ±0,1 2 PLC ±0,05 3 PLC ±0,01 4 PLC ± ANGLES ±		PRODUCT SPEC 108-19052	SIZE A3		
MATERIAL GLASSFILLED POYESTER		APPLICATION SPEC 114-19051	CAGE CODE 00779	DRAWING NO C-338095	RESTRICTED TO -
FINISH -		WEIGHT -	SCALE 5:1 SHEET 1 OF 1 REV C1		
CUSTOMER DRAWING					

## X-ON Electronics

Largest Supplier of Electrical and Electronic Components

*Click to view similar products for [Headers & Wire Housings](#) category:*

*Click to view products by [TE Connectivity](#) manufacturer:*

Other Similar products are found below :

[892-18-020-10-001101](#) [58102-G61-06LF](#) [582553-1](#) [0009485154](#) [009176003701906](#) [0050291907](#) [LY20-4P-DT1-P1E-BR](#) [02.125.8002.8](#)  
[609-3404](#) [61062-3](#) [61082-181009](#) [622-3653LF](#) [63453-116](#) [636-1030](#) [636-1427](#) [636-3427](#) [636-4007](#) [641938-9](#) [641991-4](#) [644827-2](#) [65817-](#)  
[010LF](#) [65817-015LF](#) [65863-015LF](#) [66207-023LF](#) [67095-007LF](#) [67601157](#) [68645-018](#) [68648-049](#) [70.362.1628.0](#) [70-4210](#) [70-4226B](#) [70-](#)  
[4853B](#) [707-5020](#) [707-5028](#) [71.350.2428.0](#) [71918-208LF](#) [71961-016LF](#) [733-134](#) [733-162](#) [754199-000](#) [760-3052](#) [787-8014-00](#) [79531-3000](#)  
[FCN-360C032-B](#) [FCN-367T-T012/H](#) [FCN-723D010/2](#) [80.063.4001.1](#) [800-90-001-10-001000](#) [800-90-010-10-002000](#) [801-43-002-10-013000](#)