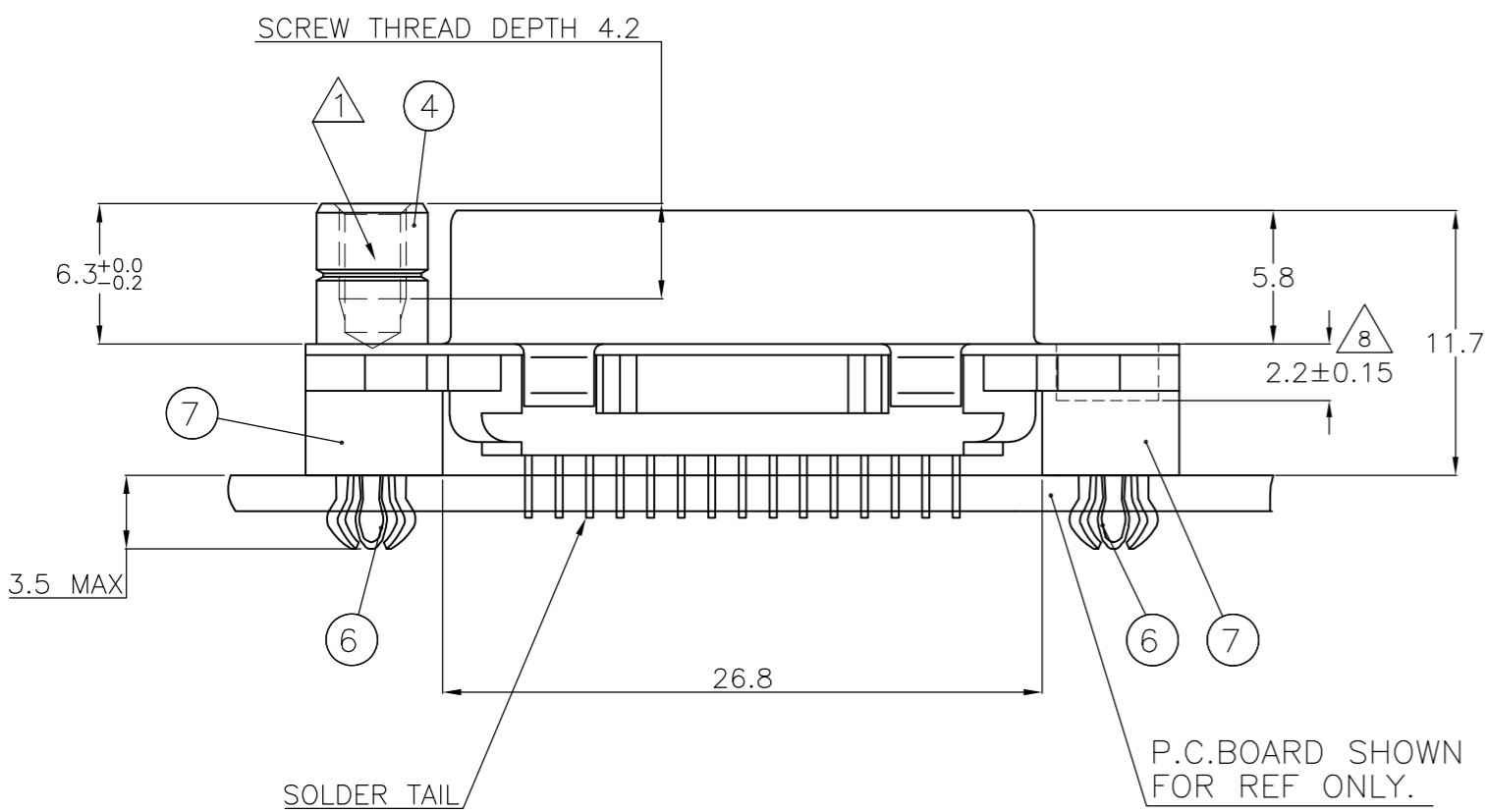
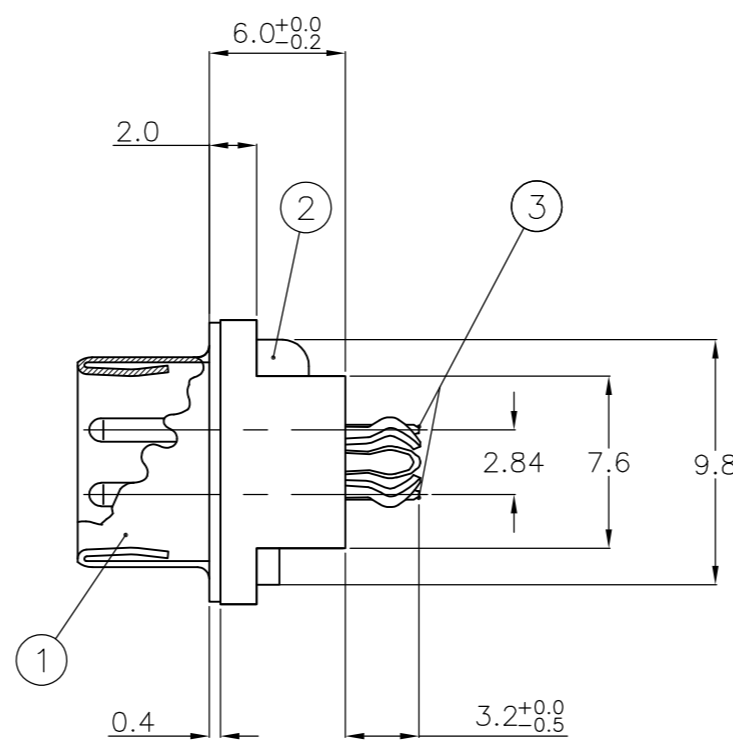
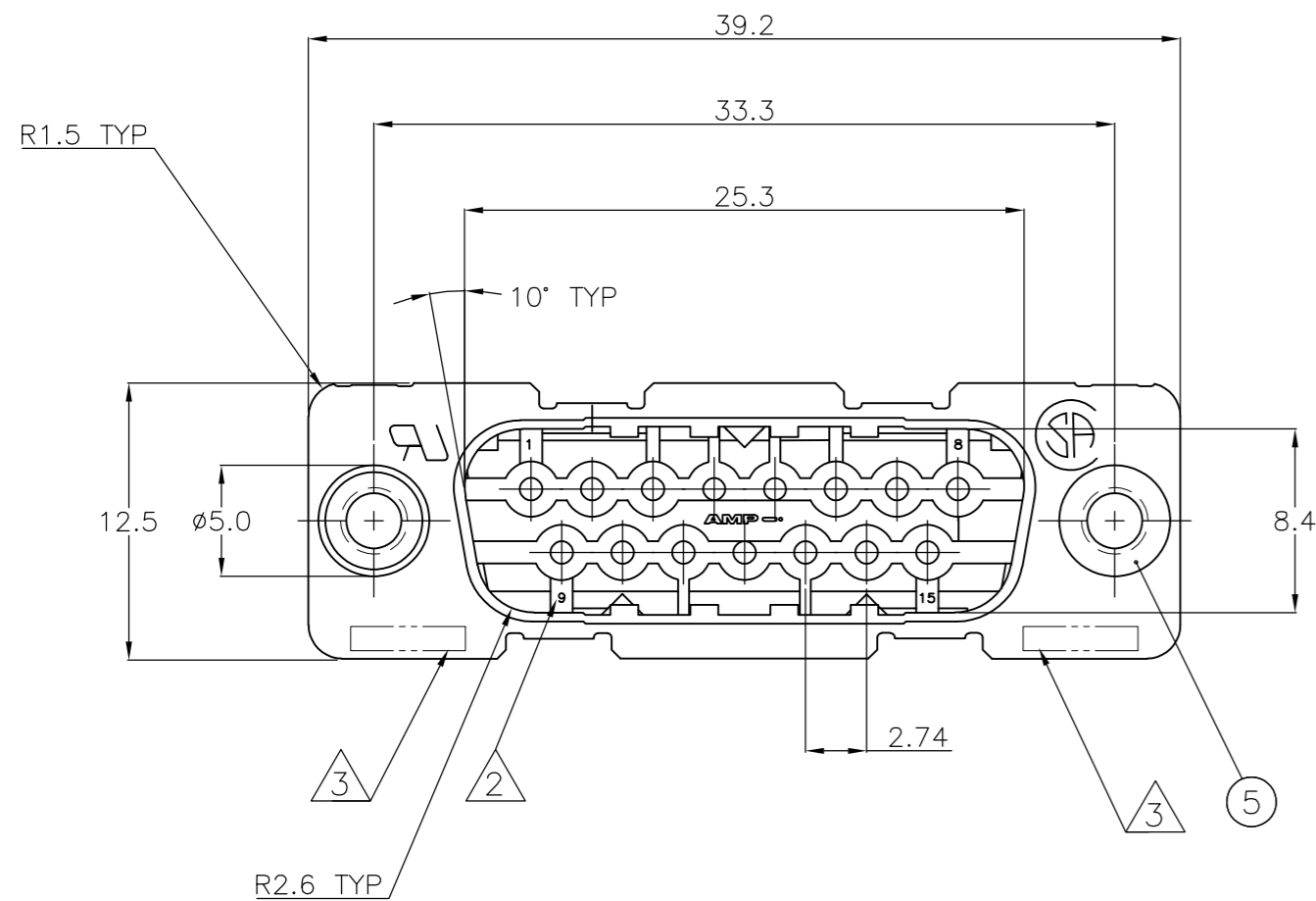


THIS DRAWING IS UNPUBLISHED. RELEASED FOR PUBLICATION
 © COPYRIGHT - By - ALL RIGHTS RESERVED.

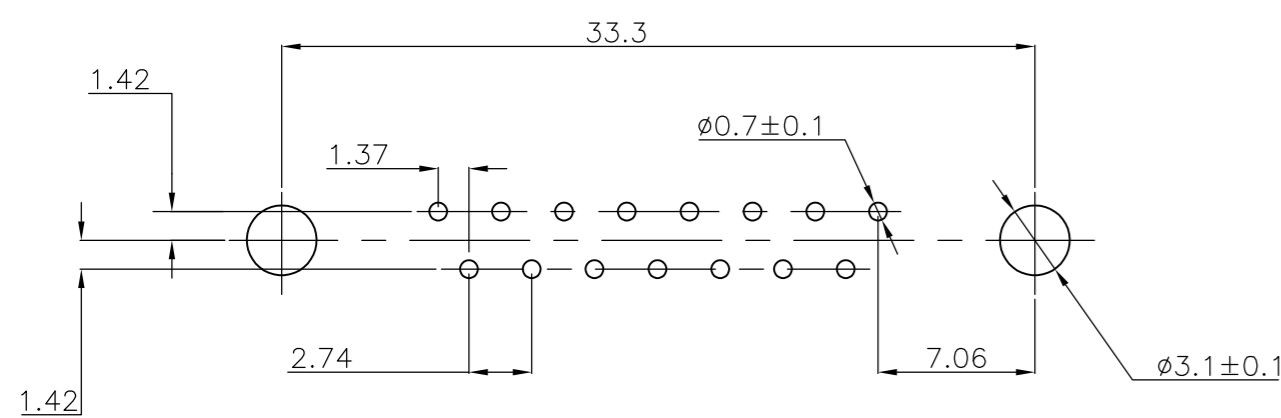
REVISIONS					
P	LTR	DESCRIPTION	DATE	DWN	APVD
H		REVISED PER ECO-17-010826	10AUG2017	AP	DG



ITEM NO	DESCRIPTION OF ACCESSORY	1	2	3	4	5	6	7	8	9
5	BUSHING WITH THROUGH HOLE Ø3.1									
5	BUSHING WITH THREAD 4-40 UNC		2							
5	BUSHING WITH THREAD M3			2						
4	FEMALE SCREWLOCK WITH THREAD 4-40 UNC				2					
4	FEMALE SCREWLOCK WITH THREAD M3					2				
6	BOARDLOCK		2	2	2	2				

- 1 GROOVE INDICATES VERSION WITH 4-40 UNC INNER THREAD; WITHOUT GROOVE INDICATES VERSION WITH M3 INNER THREAD.
- 2 CAVITY IDENTIFICATION AT FRONT SIDE ONLY.
- 3 PART NUMBER AND DATE CODE.
- 4. WHEN BOARDLOCKS ARE USED, CONNECTOR CAN BE USED FOR PCB THICKNESS OF 1.6 ONLY.
- 5. SHELL HAS 2x4 GROUNDING SPRINGS; PITCH IS 3.6.
- 6. AIR AND CREEPAGE DISTANCES ACCORDING TO DIN 41652.
- 7. CONTACT FINISH: GOLD FLASH OVER PALLADIUM-NICKEL PLATE OR GOLD PLATE ON THE MATING SURFACES, TIN PLATE ON THE SOLDER-TAILS, NICKEL UNDERPLATE ON THE ENTIRE CONTACT. MATING SURFACE FINISH MEETS LEVEL 2 PER DIM 41652.
- 8 4-40/M3 THREAD DEPTH

RECOMMENDED P.C. BOARD HOLE-LAYOUT



ITEM NO/MATERIAL:

- 1 SHELL : BRIGHT TIN PLATED STEEL
- 2 HOUSING : GLASS FILLED POLYESTER, COLOR : BLACK
- 3 CONTACTS : PHOSPHOR BRONZE (PLATING : SEE NOTES)
- 4 FEMALE SCREWLOCK : TIN PLATED STEEL (INNER THREAD 4-40 UNC OR M3)
- 5 BUSHING : TIN PLATED STEEL (INNER THREAD 4-40 UNC OR M3 OR Ø3.1 THROUGH HOLE)
- 6 BOARDLOCK : TIN PLATED PHOSPHOR BRONZE
- 7 STAND-OFF : GLASS FILLED NYLON COLOR : BLACK

THIS DRAWING IS A CONTROLLED DOCUMENT. DIMENSIONING AND TOLERANCING PER ASME Y14.5M-2009		DWN J.V. LIEMPT 03JUL97		
TOLERANCES UNLESS OTHERWISE SPECIFIED:		CHK C. SOUISA 09SEP97		
DIMENSIONS: mm	0 PLC ± - 1 PLC ± 0.3 2 PLC ± 0.15 3 PLC ± - 4 PLC ± - ANGLES ± -	APVD W. SOOMERS 09SEP97	NAME	
MATERIAL	FINISH	PRODUCT SPEC	HDP-20 SIZE 2 VERTICAL+ PLUG HEADER WITH SOLDER CONTACTS	
		APPLICATION SPEC	SIZE A2	CAGE CODE 00779
		WEIGHT 0	DRAWING NO C=338310	RESTRICTED TO
		CUSTOMER DRAWING	SCALE NTS	SHEET 1 OF 1

X-ON Electronics

Largest Supplier of Electrical and Electronic Components

Click to view similar products for [D-Sub Standard Connectors](#) category:

Click to view products by [TE Connectivity](#) manufacturer:

Other Similar products are found below :

[56F711-015](#) [012-9507-004](#) [LV242999-142T12](#) [015-0341-000](#) [015-0372-005](#) [015-0372-008](#) [015-8755-001](#) [020419-0104](#) [012-0467-000](#) [012-0515-000](#) [012-9507-034](#) [012-9507-114](#) [020745-0008](#) [609-25P](#) [M24308/2-23Z](#) [CT2-14S-2PCA34](#) [CT2-18-11PCAU](#) [CT2-36-15SC](#) [CT6-14S-2SC](#) [CT6E14SA7SC](#) [CT6E22-14PC](#) [CT6E22-14PS](#) [CT6E22-22PS](#) [M83513/01-FC](#) [M85049/48-3-2F](#) [6STD09PCM99B70X](#) [6STD09SCM99B30X](#) [6STD09SCT99S40X](#) [6STD15PCT99S40X](#) [6STD15SCM99B30X](#) [6STD15SCT99S40X](#) [6STF09PCM05B70X](#) [7-135760-9](#) [MC11E-10-6SN](#) [747552-3](#) [MD1-21PS](#) [MDM-15SCBRM7-F222](#) [MDM96517-699](#) [MDM96521-744](#) [MDVB1-21SL1](#) [MIK0-1-7SH003](#) [MIKQ6-7SH076](#) [MIKQ7-7PH077](#) [MIKQ7-7PH11](#) [MIKQ7-7PH32](#) [MJSV-28SL61](#) [MKJ4A1F14-55S](#) [8-135760-3](#) [8STD09PCM99B30X](#) [PG-KV/PV-16-GROM-SEALING](#)