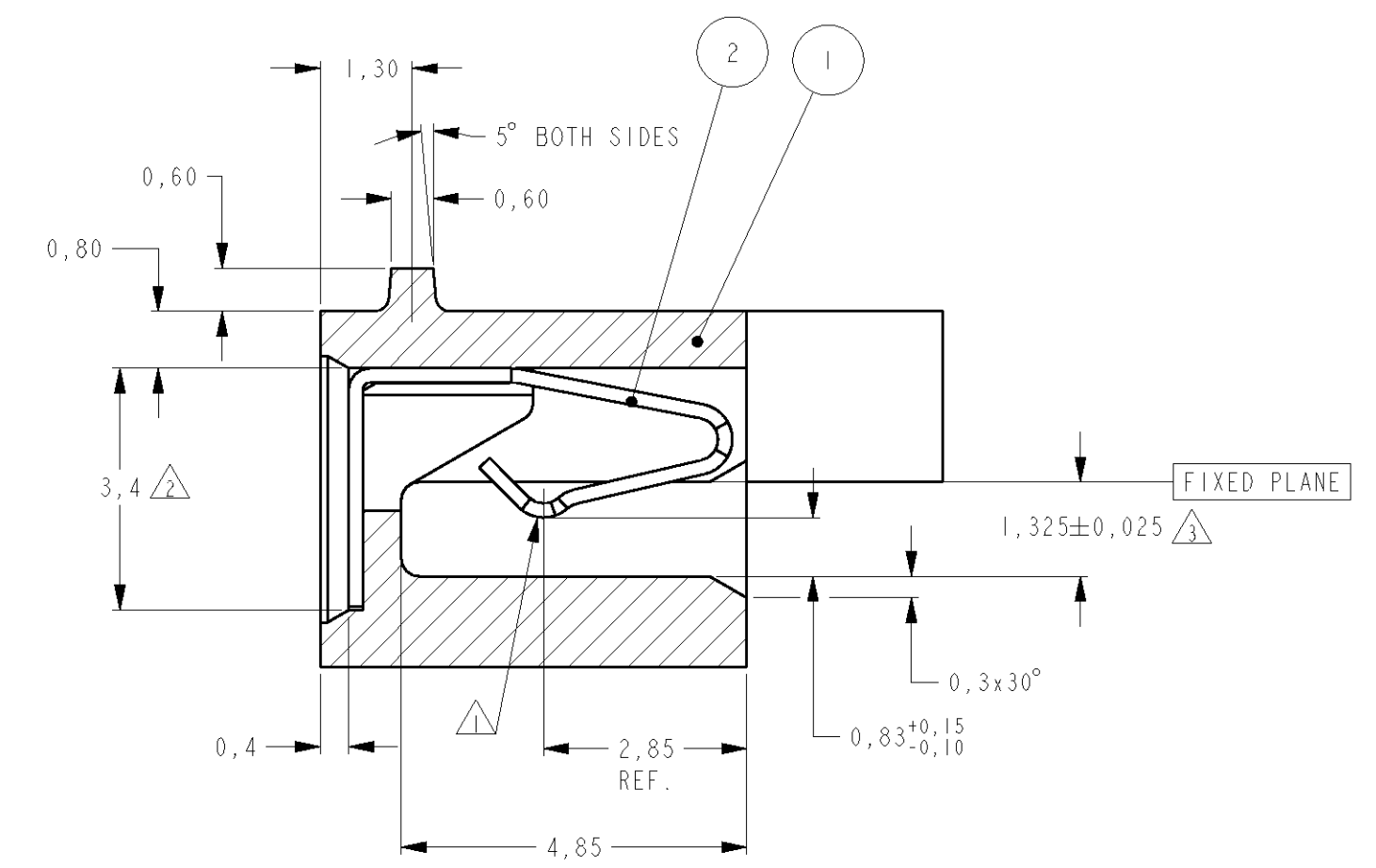
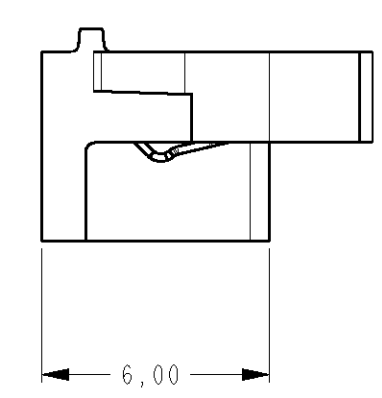
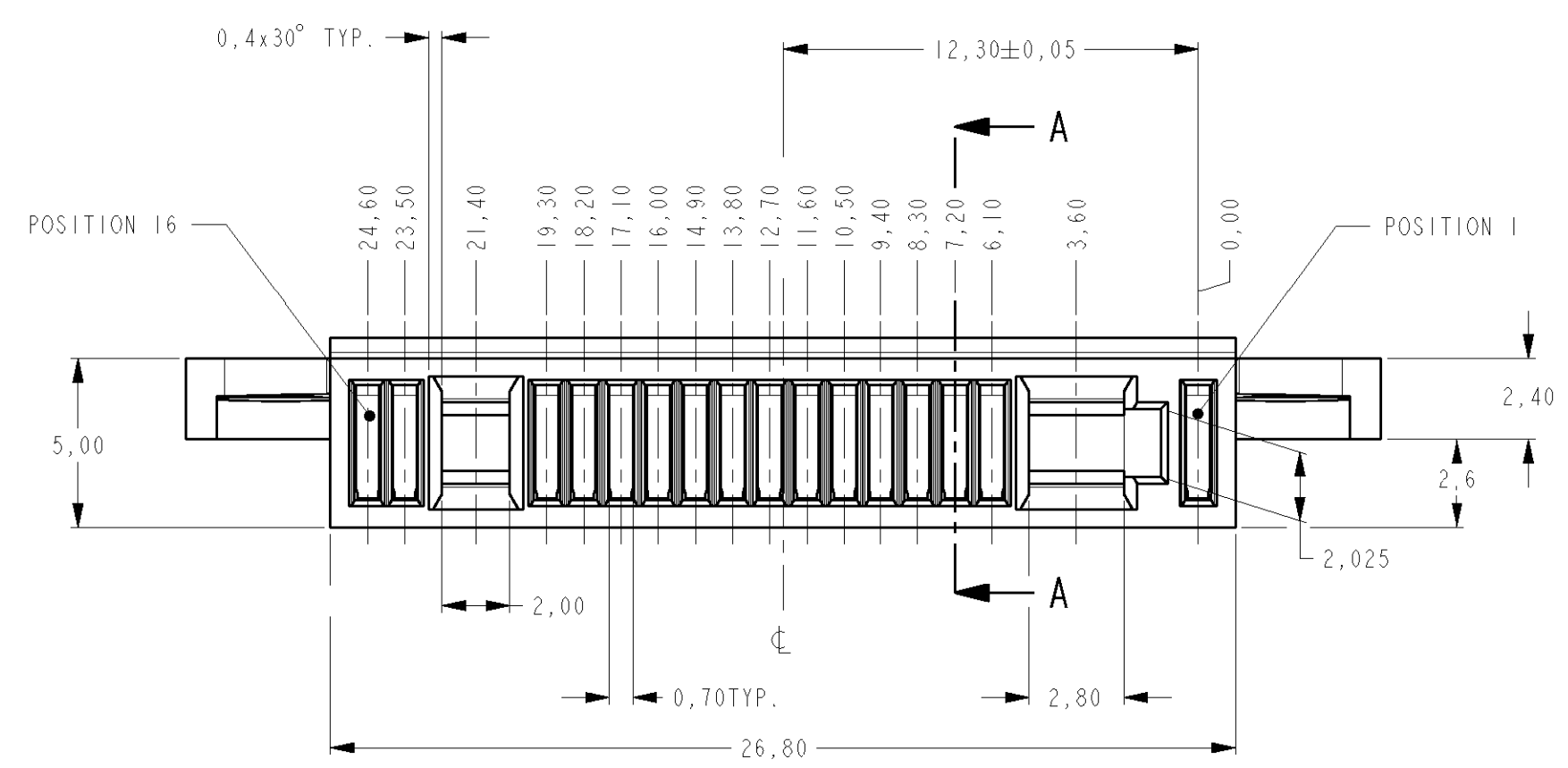
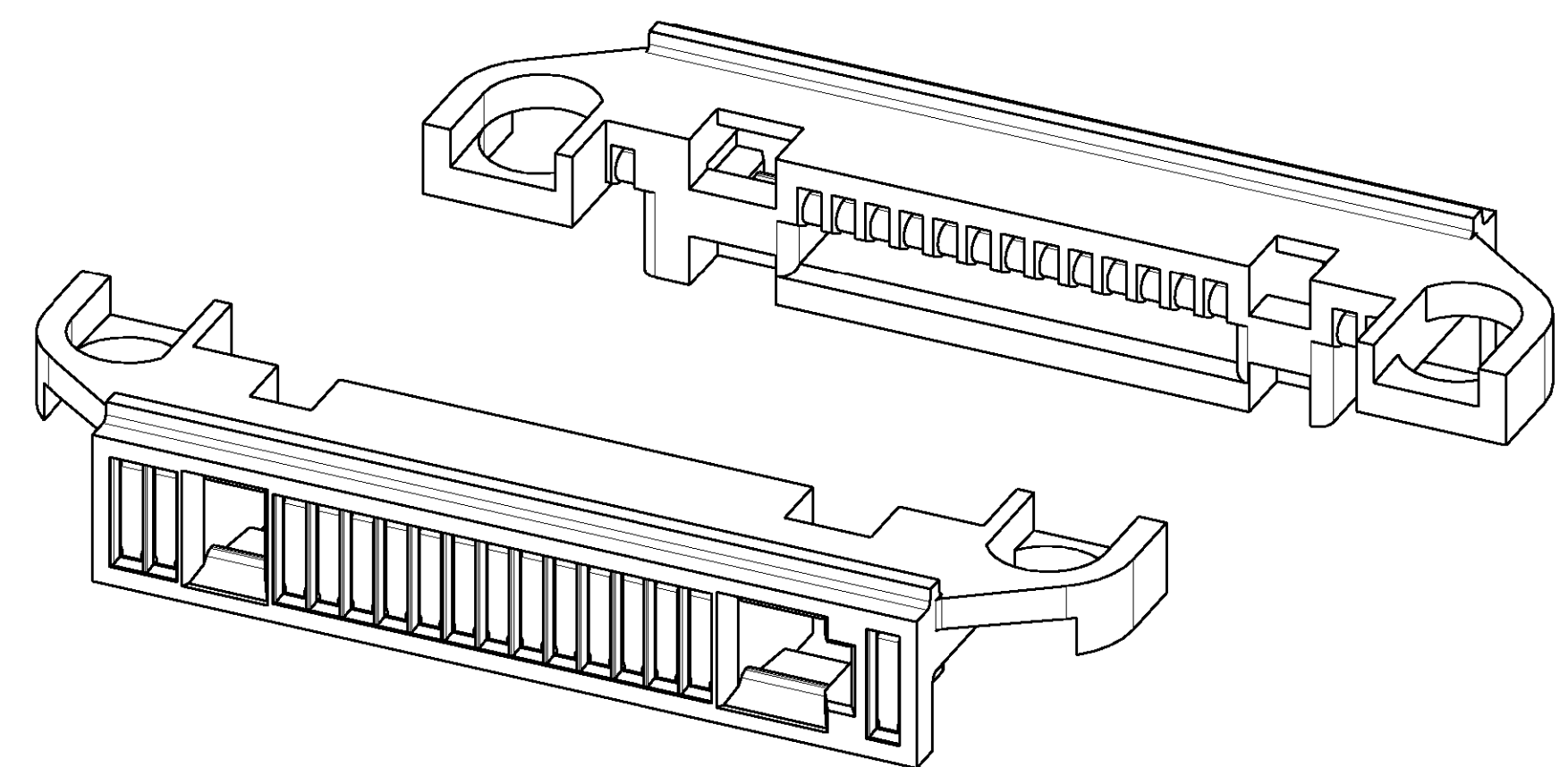
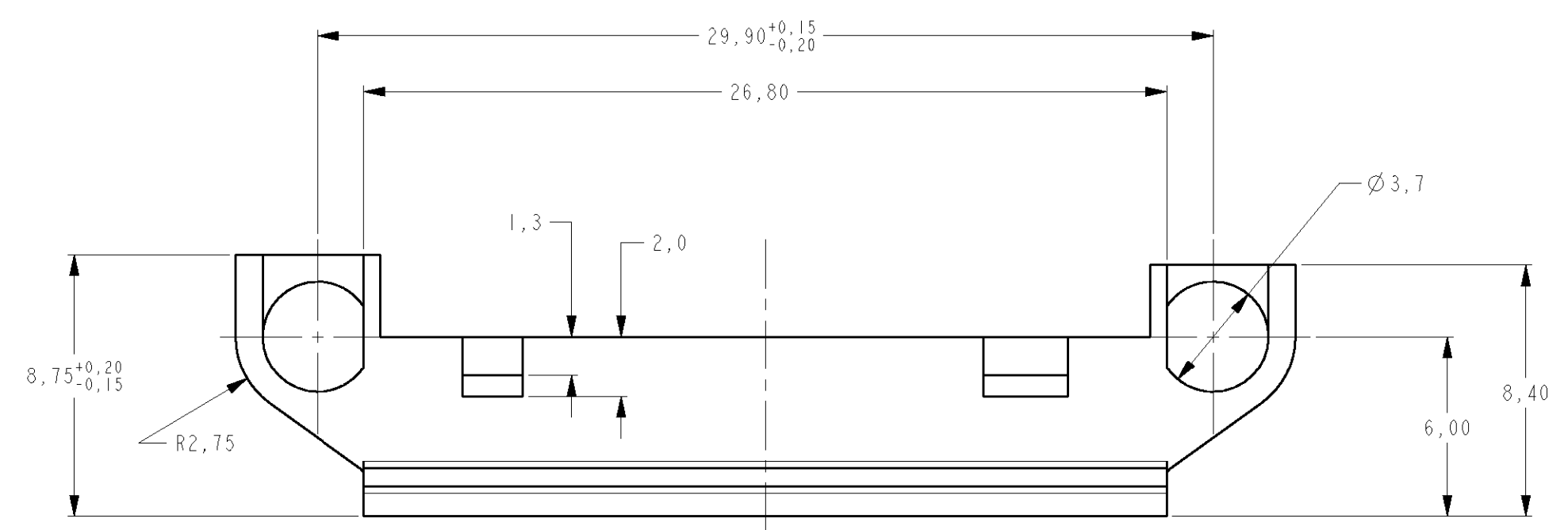
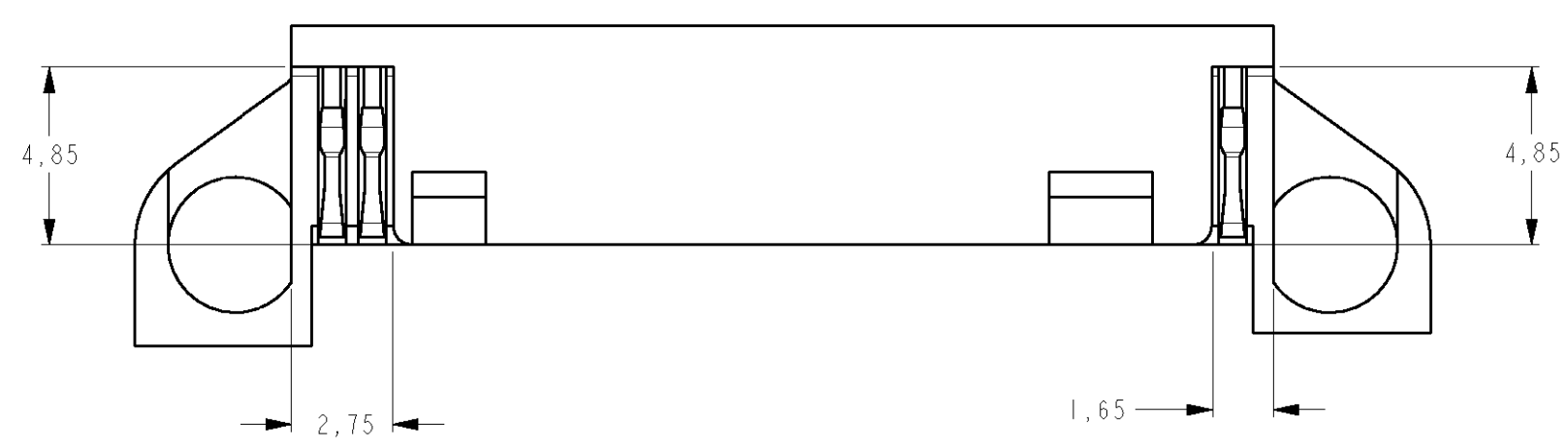


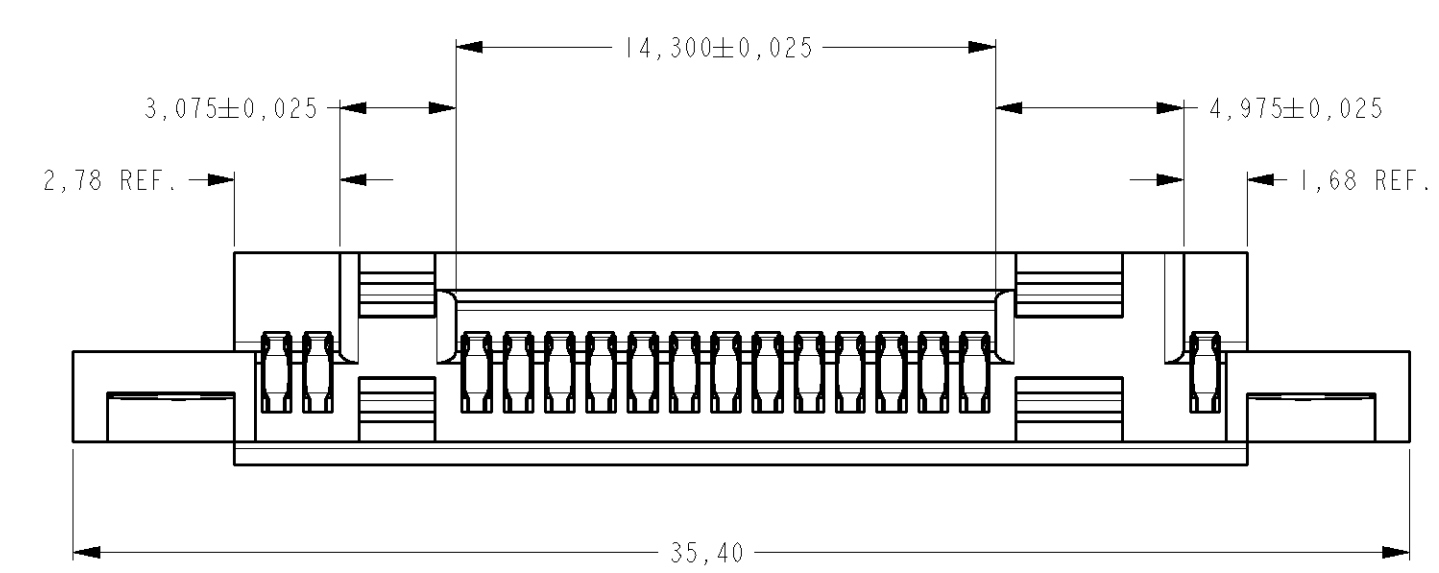
LOC	DIST	LTR	REVISION RECORD	DATE	APVD
H	-	A	EH00-1620-00	22 OCT 99	CvT
		B	EH00-0219-01	06 MRT 01	JvdH
		-	-	-	-



SECTION A-A
SCALE 10:1



- NOTES :
- △ 0,2 µm GOLD OVER 1,3 µm NICKEL IN CONTACTAREA.
 - △ 0,8 µm GOLD OVER 1,3 µm NICKEL IN CONTACTAREA.
 - △ SUITABLE FOR 1,2+/-0,1mm PCB THICKNESS.



ORDERNUMBER 1-338967-2

Item #	Description	Material	Finish
2	IN-PHONE CONTACT	PHOSPHOR BRONZE	GOLD PLATED
1	SYSTEM CONN. HOUSING	LCP GF	BLACK

DIMENSIONS: mm		TOLERANCES UNLESS OTHERWISE SPECIFIED:	
	0 PLC	± 0,2	
	1 PLC	± 0,15	
	2 PLC	± 0,10	
	3 PLC	± -	
	4 PLC	± -	
	ANGLES	± 1°	
MATERIAL	FINISH		

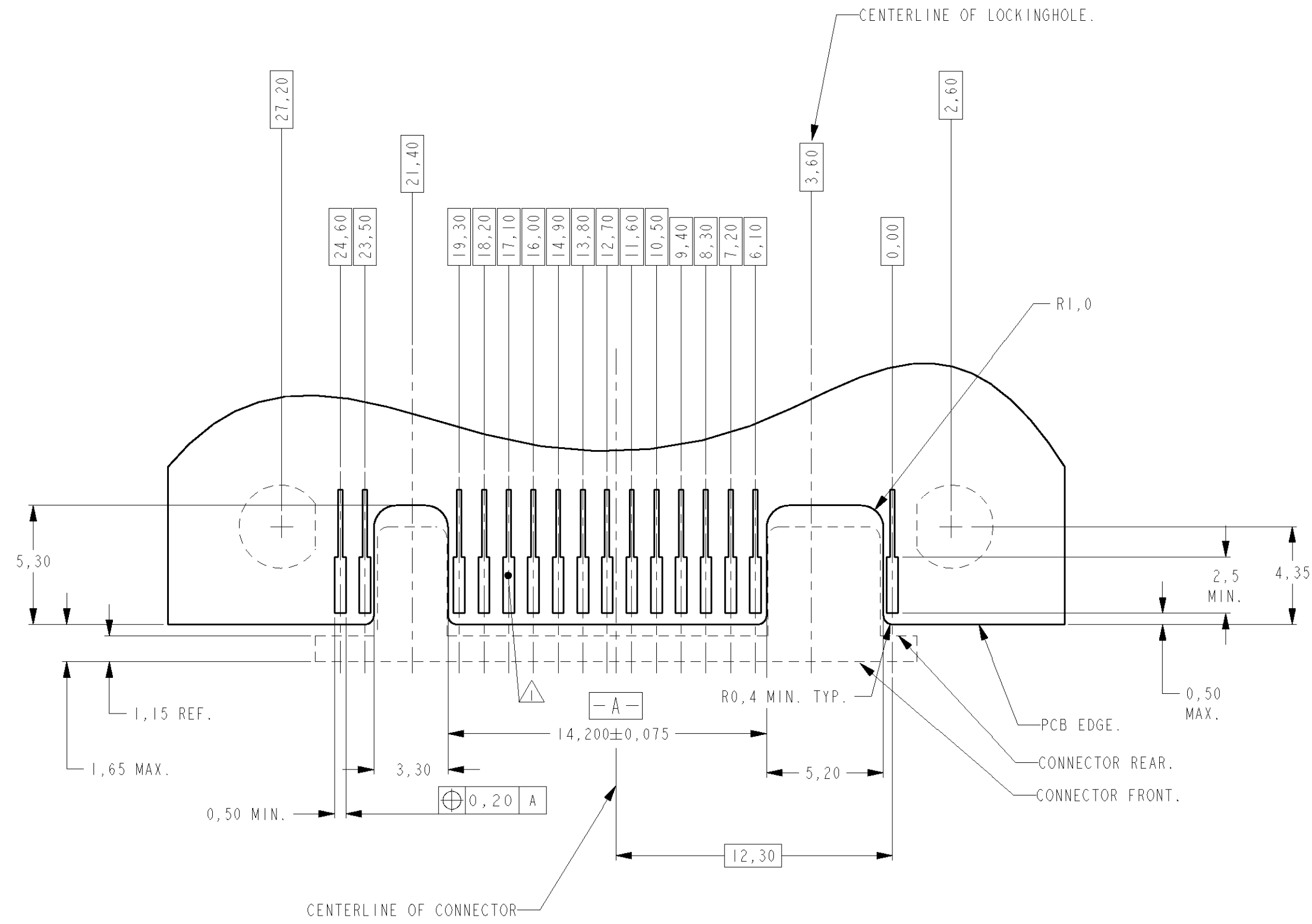
AMP TYCO ELECTRONICS NEDERLAND B.V.
 's-HERTOGENBOSCH, THE NETHERLANDS

I/O CONNECTOR
16 POSITION + 2 LOCKING HOLES + KEYING.

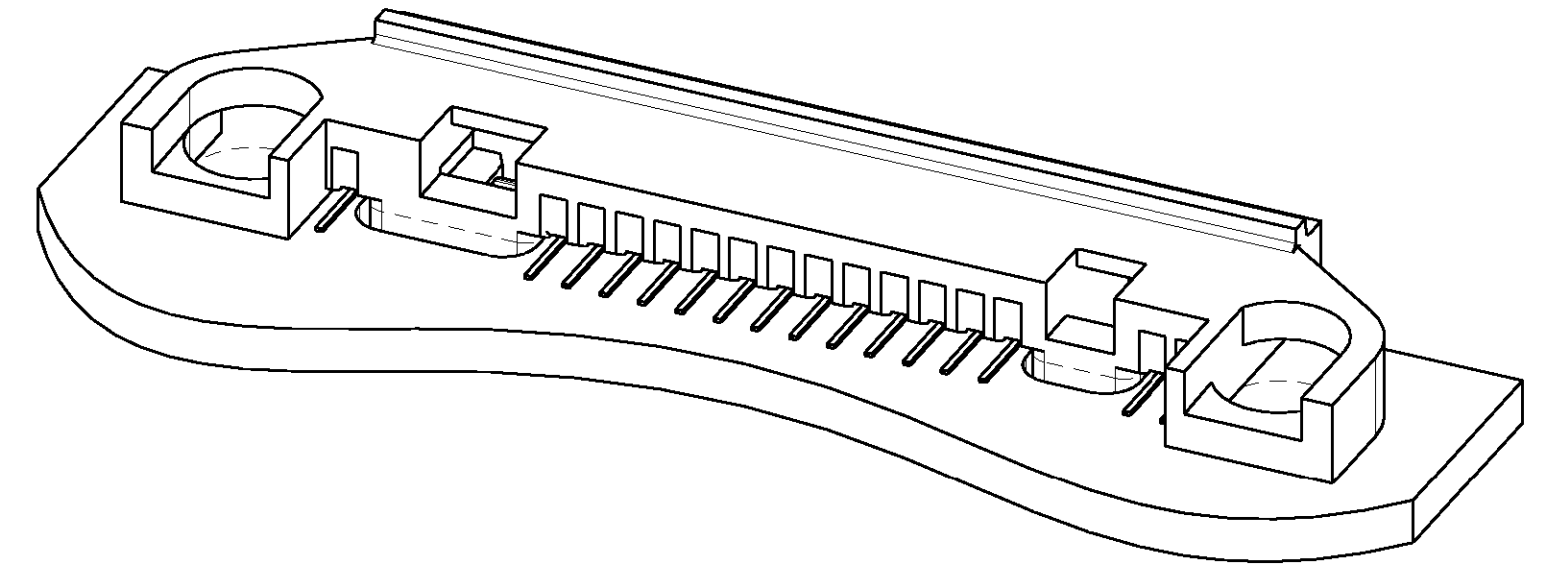
NAME	SIZE	CAGE CODE	DRAWING NO	RESTR TO
J.V.D.HEIJDEN. 10 APR 99	A2	00779	C-338967	-

CUSTOMER DRAWING SCALE 5:1 SHEET 1 OF 2 REV B

LOC	DIST	LTR	REVISION RECORD	DATE	APVD
H	-	-	SEE SHEET 1	-	-
-	-	-	-	-	-
-	-	-	-	-	-



RECOMMENDED PCB-LAYOUT
FOR I/O CONNECTOR.



NOTE:

- △ PLATING OF CONTACT AREA:
MIN. 0,20 µm GOLD OVER MIN. 1,3 µm Ni.
- 2 NO SOLDERMASK PERMITTED IN MOUNTING AREA OF CONNECTOR.
(BOTH SIDES OF THE BOARD).

THIS DRAWING IS A CONTROLLED DOCUMENT FOR TYCO ELECTRONICS NEDERLAND B.V. IT IS SUBJECT TO CHANGE AND THE CONTROLLING ENGINEERING ORGANIZATION SHOULD BE CONTACTED FOR THE LATEST REVISION.		DWN J.V.D.HEIJDEN, 10 MRT 99	TYCO ELECTRONICS NEDERLAND B.V. 's-HERTOGENBOSCH, THE NETHERLANDS	
DIMENSIONS: mm	TOLERANCES UNLESS OTHERWISE SPECIFIED:	CHR R.DAAMEN.		
	0 PLC ± -	APVD -	NAME PCB-LAYOUT FOR I/O CONNECTOR 16 POSITION + 2 LOCKING HOLES + KEYING.	
	1 PLC ± -	PRODUCT SPEC -	SIZE A2	
MATERIAL	2 PLC ± -	APPLICATION SPEC -	CAGE CODE 00779	
	3 PLC ± -	WEIGHT -	DRAWING NO C-338967	
	4 PLC ± -	FINISH -	RESTR TO -	
	ANGLES ± -		SCALE 5:1	
CUSTOMER DRAWING			SHEET 2 OF 2	
			REV B	

X-ON Electronics

Largest Supplier of Electrical and Electronic Components

Click to view similar products for [Other Tools](#) category:

Click to view products by [TE Connectivity](#) manufacturer:

Other Similar products are found below :

[CR-05FL7--150R](#) [CR-05FL7--698K](#) [899-2-KT46](#) [899-5-KT46](#) [CR-0AFL4--332K](#) [CR-12FP4--260R](#) [CRCW04021100FRT7](#)
[CRCW04021961FRT7](#) [5800-0090](#) [CRCW04024021FRT7](#) [CRCW040254R9FRT7](#) [CRCW0603102JRT5](#) [59065-5](#) [00-8273-RDPP](#) [00-8729-](#)
[WHPP](#) [593033](#) [593058](#) [593072](#) [593564100](#) [593575](#) [593591](#) [593593](#) [011349-000](#) [LTLA506SBLAMNBL](#) [CRCW08052740FRT1](#) [LUC-](#)
[012S070DSM](#) [LUC-018S070DSP](#) [599-2021-3-NME](#) [599-JJ-2021-03](#) [00-5080-YWPP](#) [5E4750/01-20R0-T/R](#) [LW1A-L1-GL](#) [LW1A-P1-GD](#)
[LW1L-A1C10V-GL](#) [LW1L-M1C70-A](#) [0202-0173](#) [00-9089-RDPP](#) [00-9300-RDPP](#) [CRCW2010331JR02](#) [01-1003W-8/32-10](#) [601-GP-08-](#)
[KT39](#) [601-JJ-06](#) [601-SPB](#) [601YSY](#) [602-JJ-03](#) [602SPB](#) [602Z](#) [603-JJ-07-FP](#) [603-JJY-04](#) [604J](#)