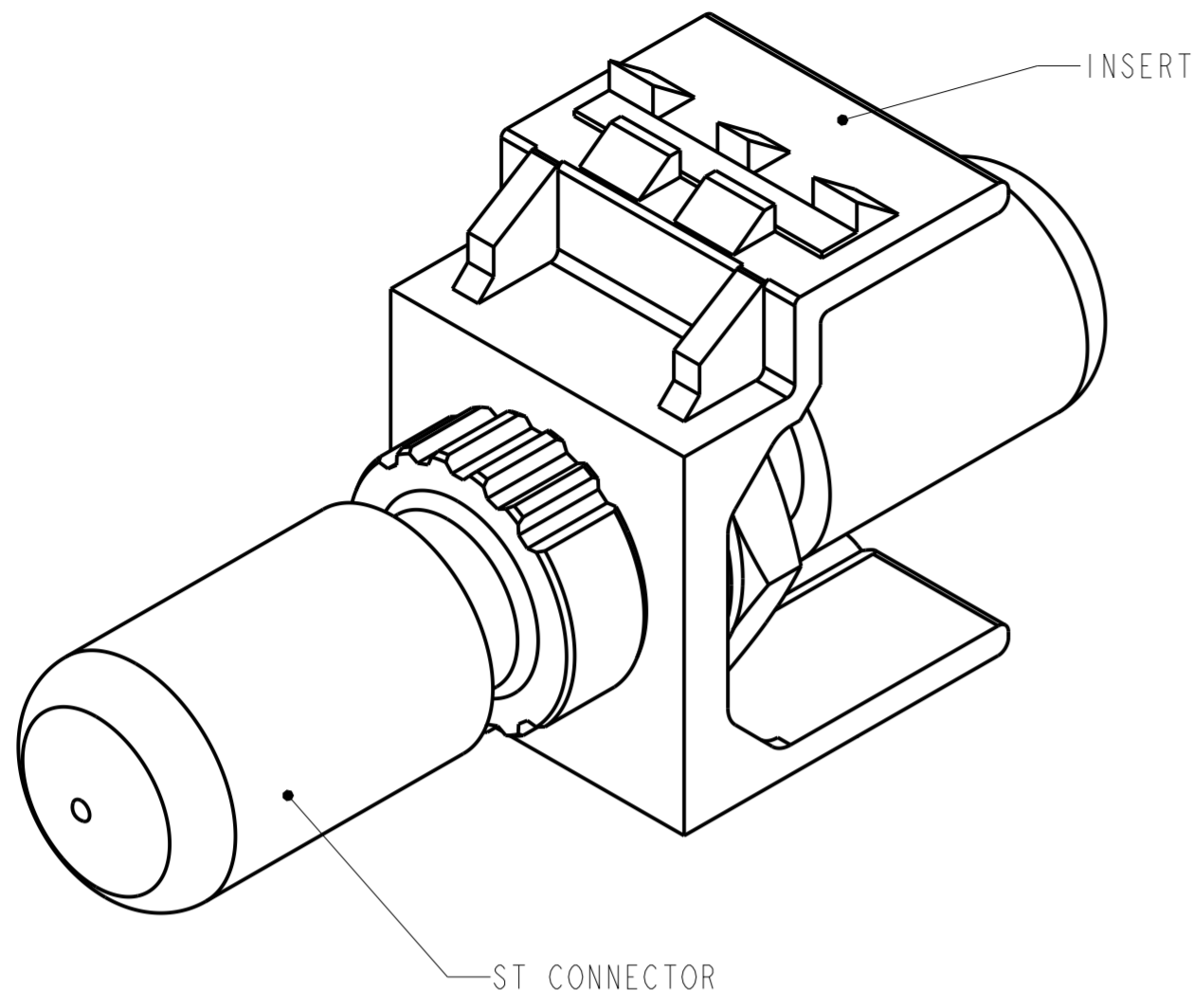
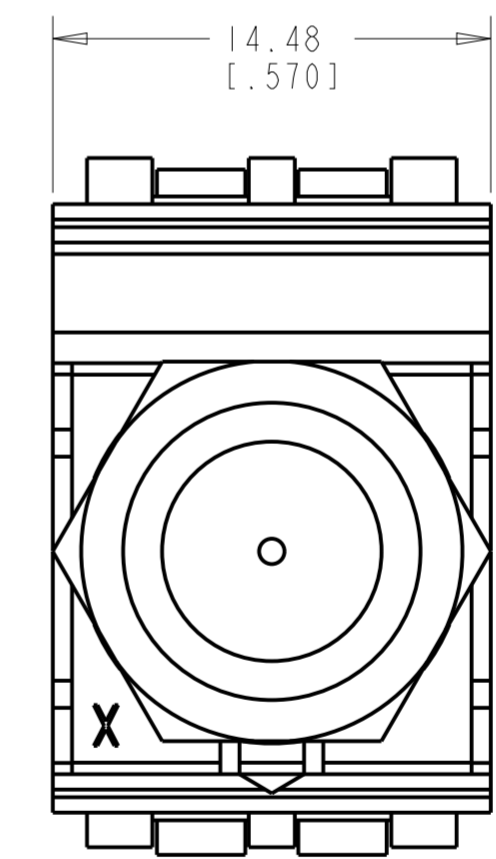
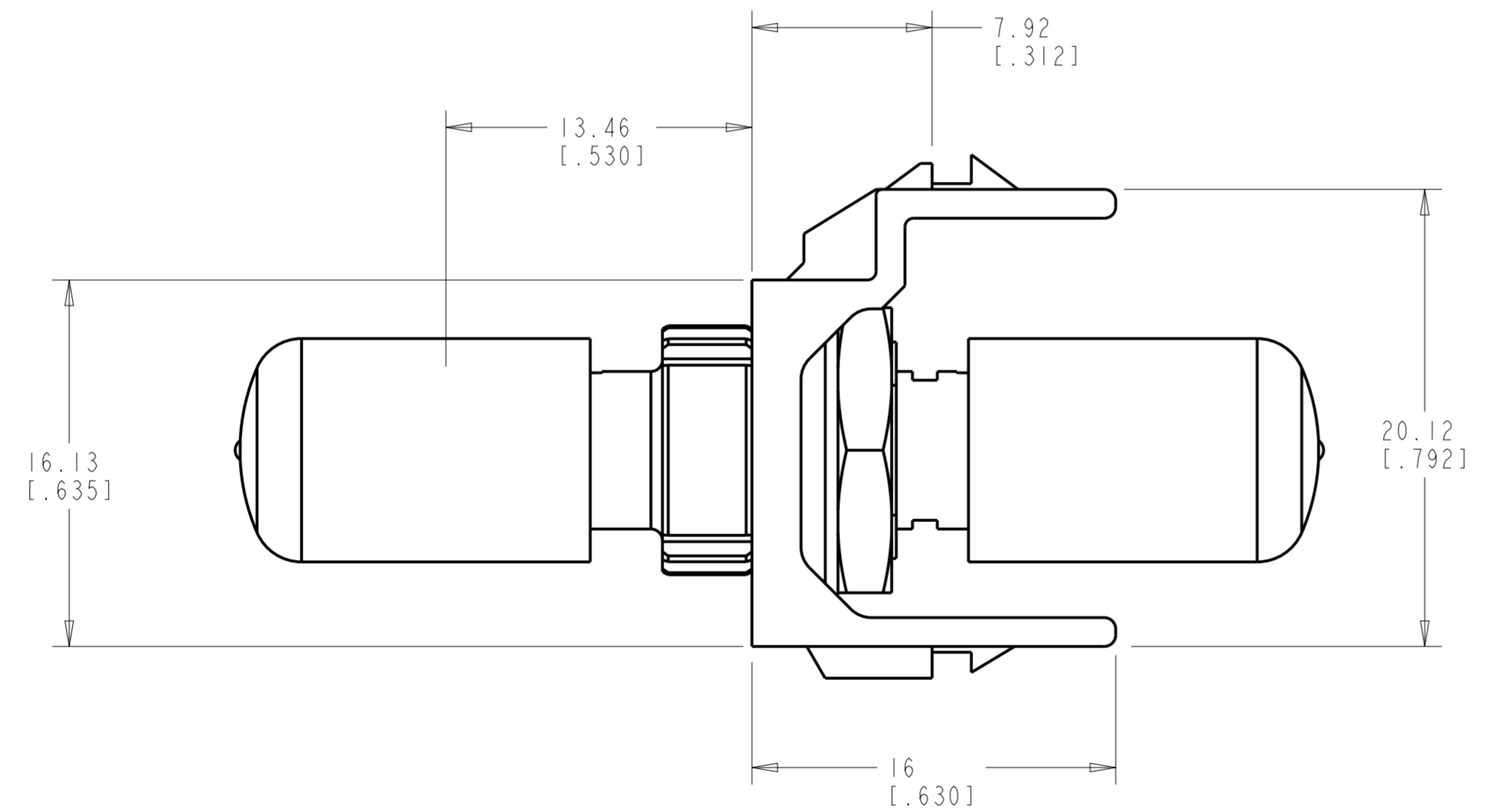


THIS DRAWING IS UNPUBLISHED. RELEASED FOR PUBLICATION
 © 2016 COMMSCOPE, INC. CONFIDENTIAL NOTICE: THESE DRAWINGS AND SPECIFICATIONS ARE THE PROPRIETARY PROPERTY OF COMMSCOPE, INC. AND MAY BE USED ONLY FOR THE SPECIFIC PURPOSE AUTHORIZED IN WRITING BY COMMSCOPE, INC.

| REVISIONS | | | | |
|-----------|-----|----------------------|-----------|-------|
| P | LTR | DESCRIPTION | DATE | APVD |
| C | | ECO-13-007599 | 06MAY2013 | JM RA |
| D | | REV PER BNS_CD_BRAND | 09FEB2017 | GG DC |



△ MATERIAL:
 INSERT: POLYCARBONATE MOLDING COMPOUND.
 SEE TABLE FOR COLOR.
 CONNECTOR: NICKEL PLATED ZINC.



| | |
|--------------|-------------|
| ALPINE WHITE | I-1339123-3 |
| BLACK | 1339123-2 |
| LT ALMOND | 1339123-1 |
| COLOR | PART NO |

| | | | | |
|--|--------|------------------------------|-----------------------------------|--|
| THIS DRAWING IS A CONTROLLED DOCUMENT. | | DWN T. PITTS 15SEP99 | COMMSCOPE, INC. | |
| DIMENSIONS: mm (INCHES) | | CHK R. MARTIN 19NOV99 | | |
| TOLERANCES UNLESS OTHERWISE SPECIFIED: | | APVD R. MARTIN 09DEC99 | NAME KIT, ST CONNECTOR, INSERT | |
| 0 PLC ± | | PRODUCT SPEC | - | |
| 1 PLC ± | | APPLICATION SPEC | - | |
| 2 PLC ±.13 [.005] | | WEIGHT | - | |
| 3 PLC ± | | CUSTOMER DRAWING | - | |
| 4 PLC ± | ANGLES | SIZE A2 | | |
| ANGLES ± | FINISH | CAGE CODE G-1339123 | | |
| MATERIAL | | DRAWING NO 1339123 | | |
| △ | | RESTRICTED TO - | | |
| | | SCALE 4:1 SHEET 1 OF 1 REV D | | |

X-ON Electronics

Largest Supplier of Electrical and Electronic Components

Click to view similar products for [Modular Connectors / Ethernet Connectors](#) category:

Click to view products by [TE Connectivity](#) manufacturer:

Other Similar products are found below :

[8949-H88/06BLKA/SN](#) [74441-0010/BKN](#) [MP1010RX-1000](#) [MP44RX-1000](#) [PHJ-4P4C-1-V-4](#) [PHP-6P6C-5](#) [GAX-3-66](#) [GAX-8-62](#) [GDCX-PA-66-50](#) [GDCX-PN-64](#) [GDCX-PN-66](#) [GDCX-PN-66-50](#) [GDLX-A-66](#) [GDLX-N-66](#) [GDLX-S-66](#) [GDLX-S-88K](#) [GDTX-S-88-50](#) [GDX-PA-1010](#) [GLX-N-1010M-BLK](#) [GLX-S-88M-BLK](#) [GMX-N-1010](#) [GMX-S-1010](#) [GMX-S-66](#) [GMX-SMT4-N-88](#) [GPX-2-64](#) [GSGX-N-2-88](#) [GSGX-N-4-88](#) [GSX-NS2-88-3.05](#) [GSX-NS2-88-3.05-50](#) [GSX-NS-88-3.05-50](#) [PT-108A-8C-UL](#) [PT-J951-8C](#) [PTS-J531-8CS-50UL](#) [1-1775629-2](#) [A-2014-0-4](#) [GWLX-S-88-GR](#) [GWLX-S9-88-YG](#) [DC-1021-8-WH-6](#) [1300530003](#) [1324640-4](#) [RJ11FTVC2G](#) [RJ11FTVC2N](#) [RJFTVX2SA1G](#) [132764-001](#) [1413235](#) [MP88X-1000](#) [MPS88RX-5000](#) [E5288-S000K3-L](#) [E5908-15A242-L](#) [155302-001](#)