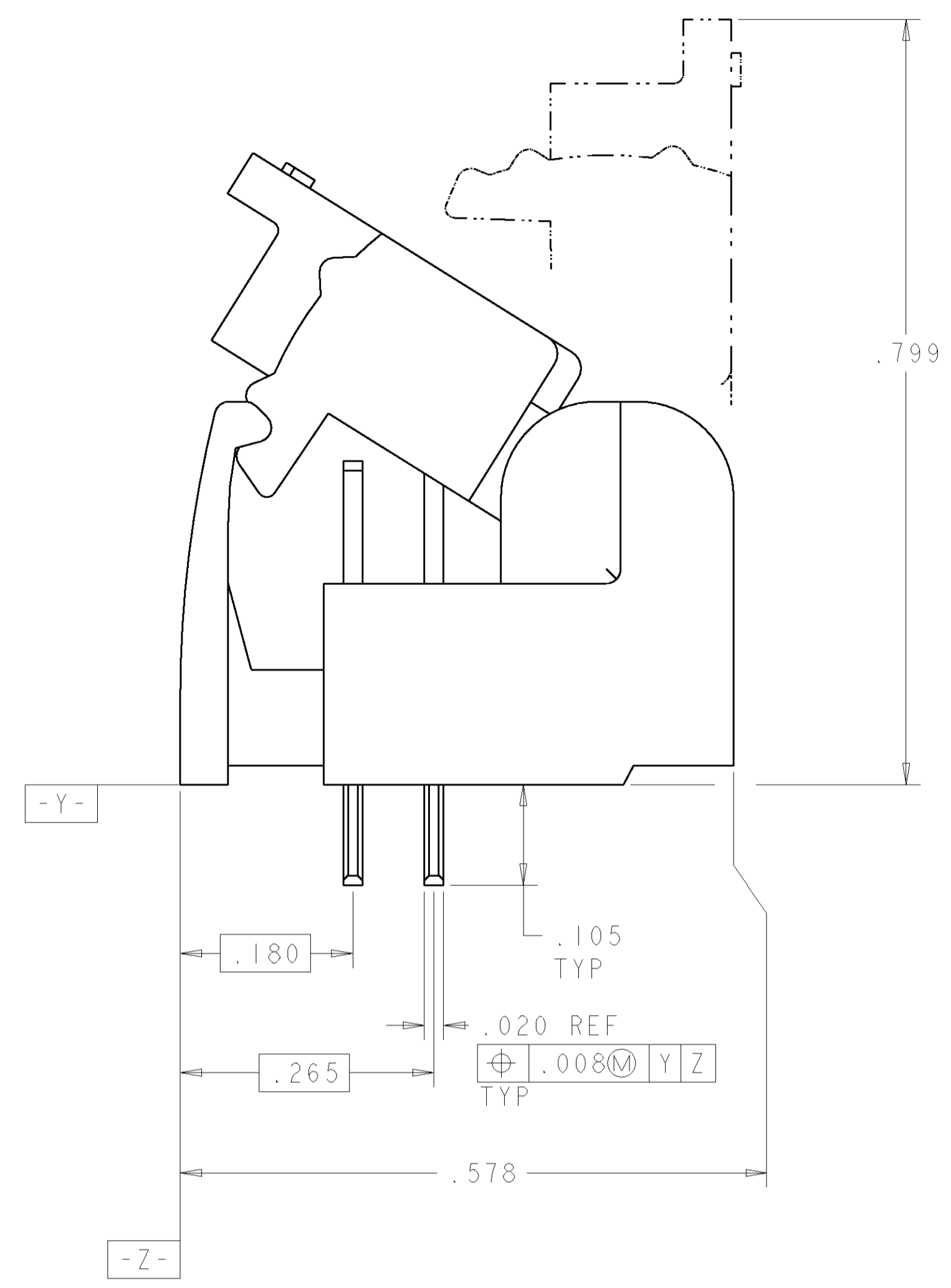
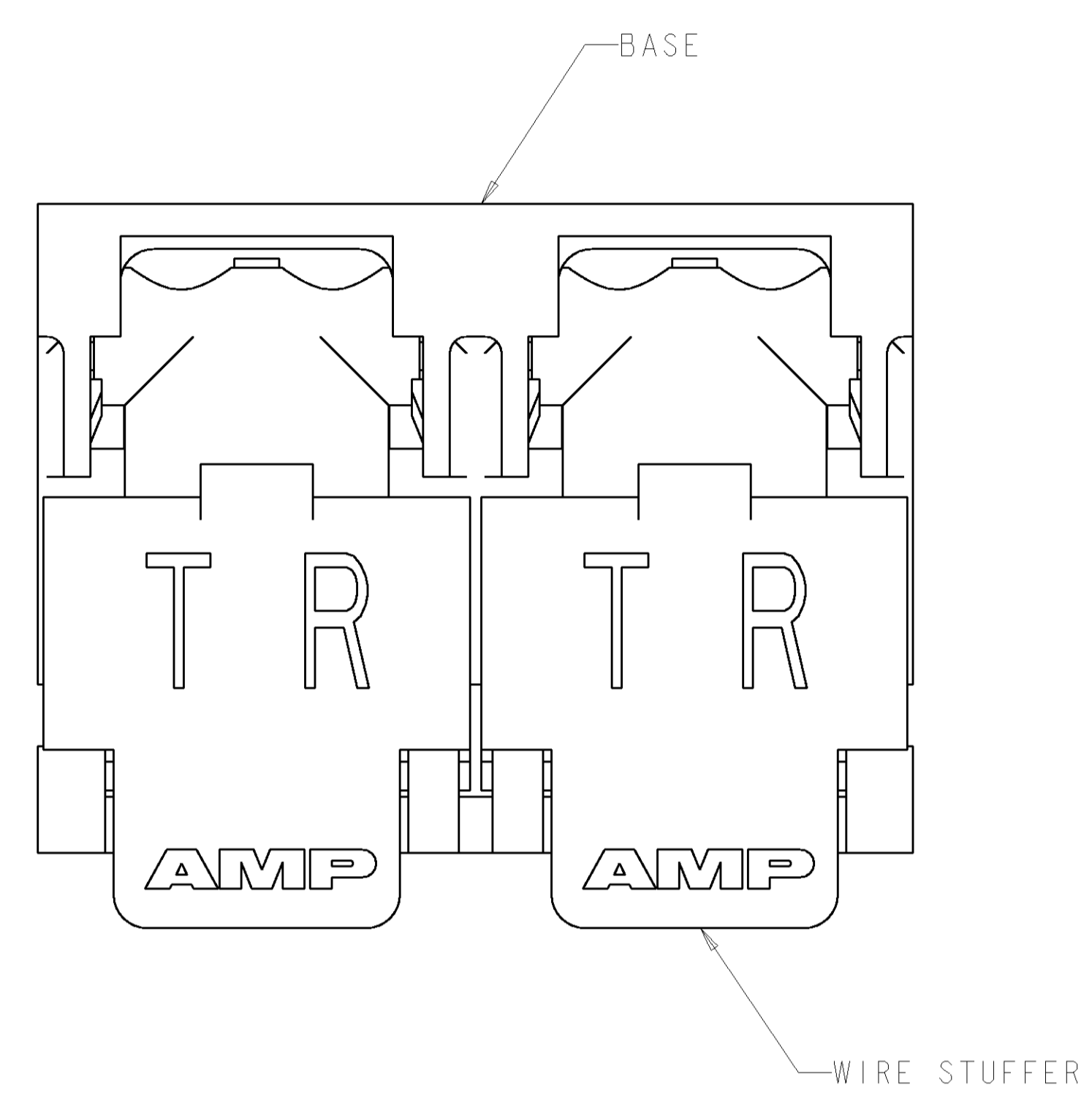
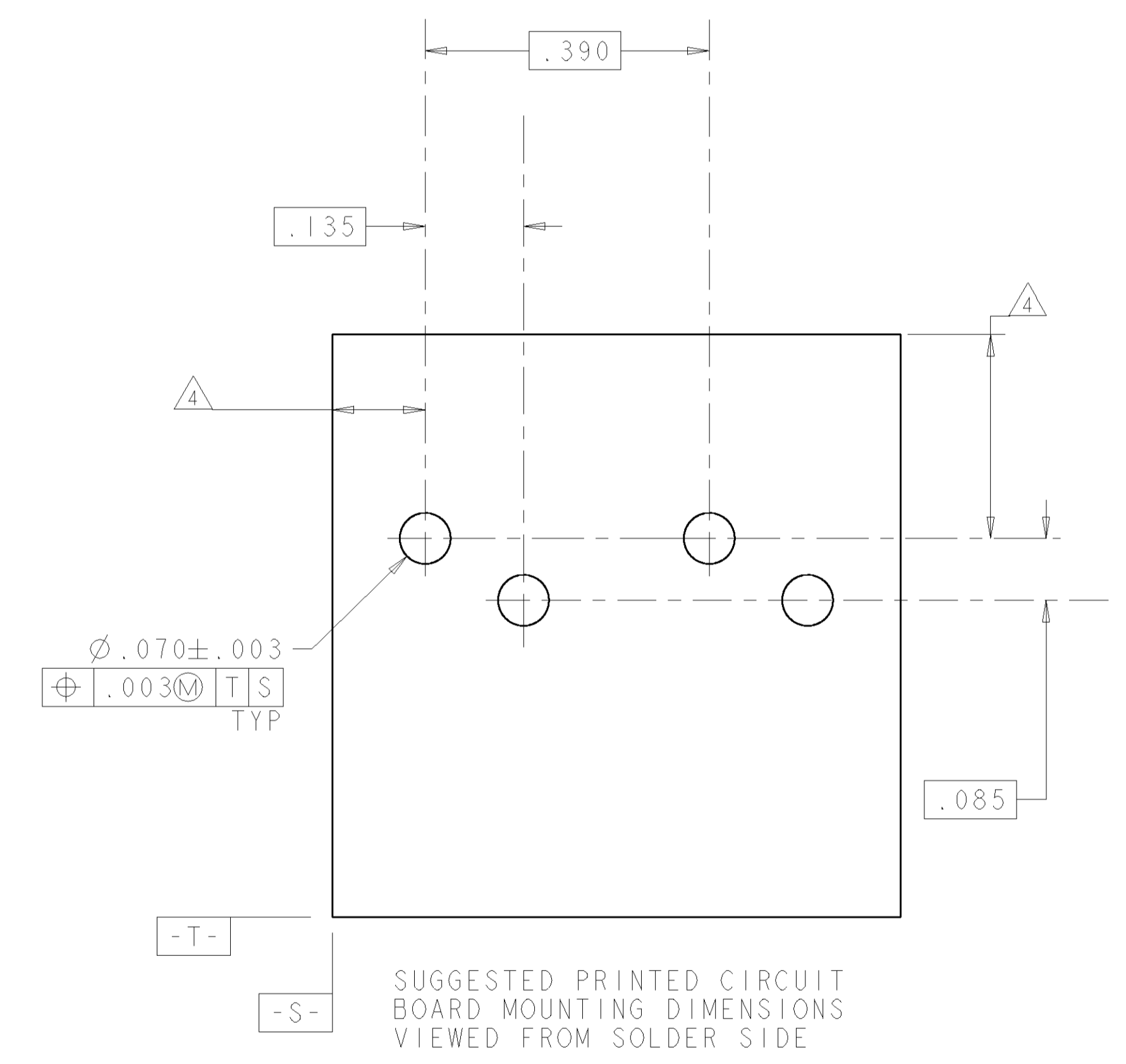
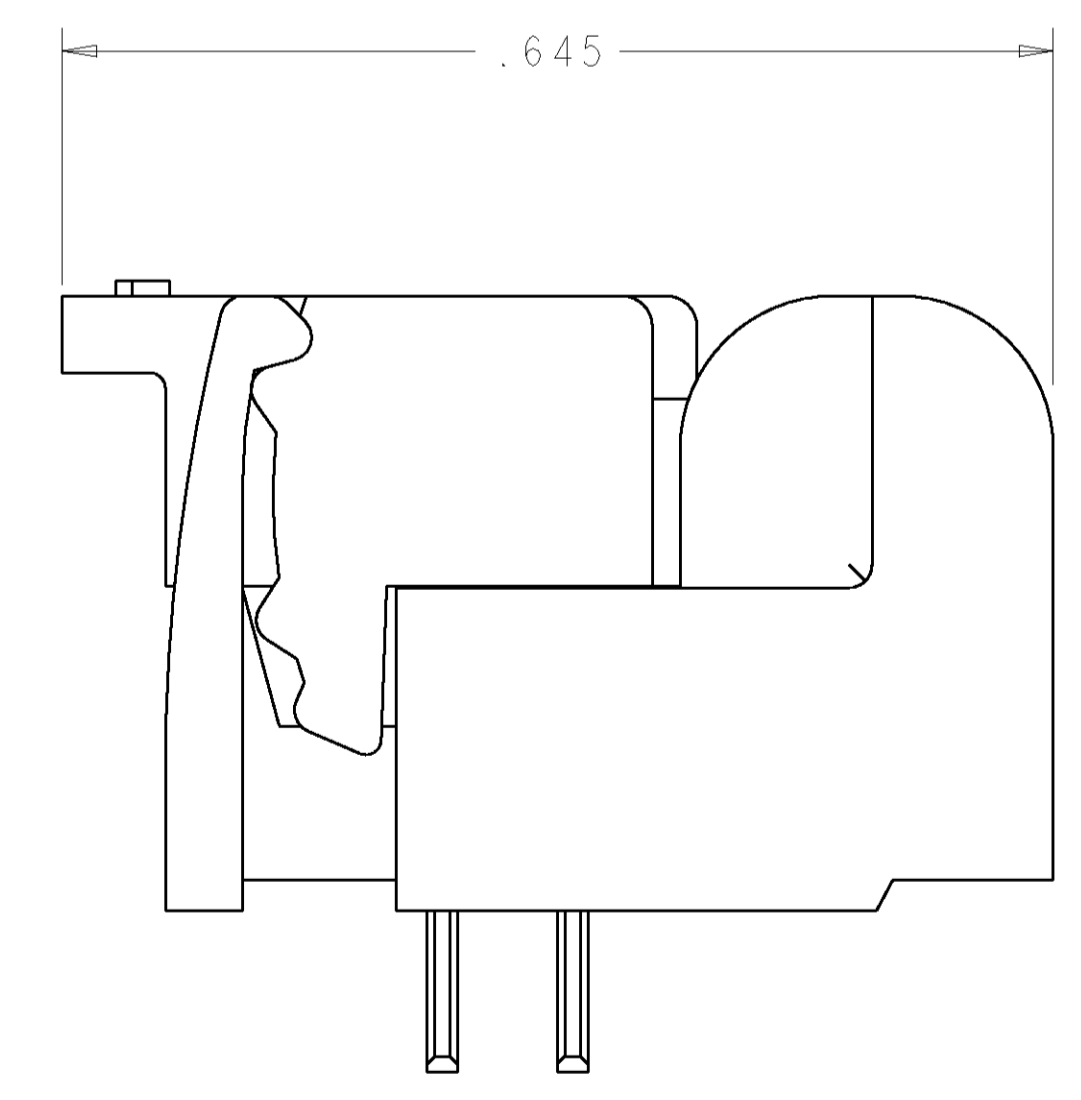
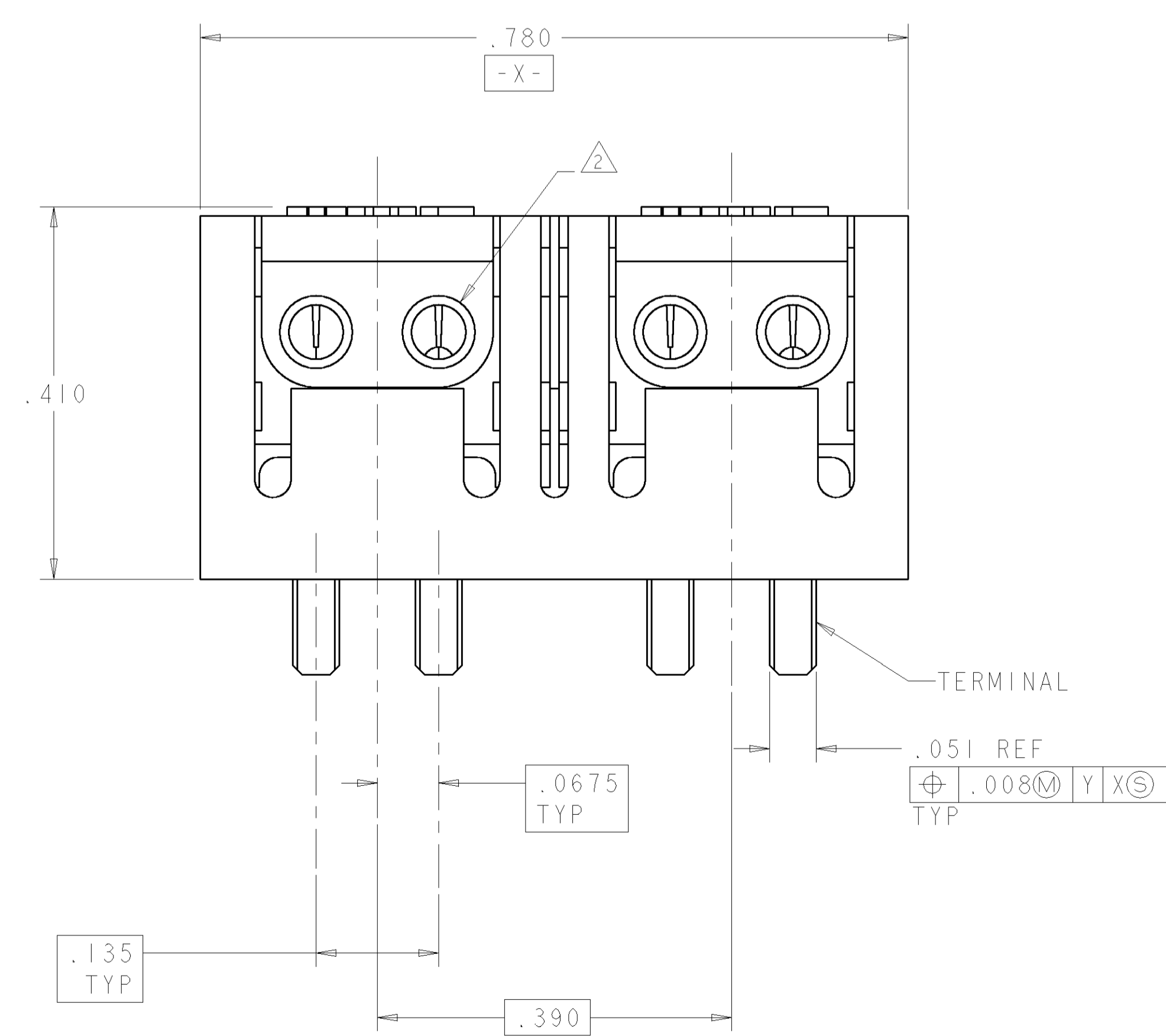


LOC	DIST	REVISIONS			
F	LTW	DESCRIPTION	DATE	DWN	APPD
B		REVISED: EC QUIC-0007-01	22JAN2001	JA	TW
C		REVISED PER EC 0S15-0450-02	21JAN2003	DLD	RPM
D		REVISED PER EC 0S15-0324-03	04DEC2003	JB	CF



- 1 MATERIAL: BASE - POLYESTER MOLDING COMPOUND, BLACK.
 WIRE STUFFER: - POLYCARBONATE MOLDING COMPOUND, CLEAR.
 TERMINAL - COPPER ALLOY, PLATED WITH 3.81 μm MINIMUM THICK TIN OVER 1.27 μm MINIMUM THICK NICKEL UNDERPLATE.
- 2 EACH WIRE ENTRY HOLE ACCEPTS ONE UNSTRIPPED SOLID COPPER 22-26 AWG WIRE WITH WIRE INSULATION DIAMETER RANGE FROM .060 THROUGH .040. OTHER WIRE SIZES AND TYPES SHALL BE SUBMITTED TO AMP ENGINEERS FOR APPLICATION APPROVAL.
- 3. SOLDER TABS PROVIDED FOR PERMANENT BOARD MOUNTING.
- 4 LOCATION OF HOLE PATTERN DETERMINED BASED ON CUSTOMER REQUIREMENTS.



RED	GREEN	CLEAR	1339305-1
R	T	WIRE STUFFER	PART NUMBER
COLOR CODE			

<small>THIS DRAWING IS UNPUBLISHED. RELEASED FOR PUBLICATION. ALL RIGHTS RESERVED. ANY REPRODUCTION OR TRANSMISSION OF THIS DRAWING WITHOUT THE WRITTEN PERMISSION OF AMP INCORPORATED IS PROHIBITED.</small>		DWN: R. ZARBOCK 28APR00 ENY: M. DERSTINE 28APR00 APVD: M. DERSTINE 28APR00	AMP Incorporated Harrisburg, PA 17105-3608
DIMENSIONS: INCHES TOLERANCES UNLESS OTHERWISE SPECIFIED: 0 PLC \pm 1 PLC $\pm .01$ 2 PLC $\pm .01$ 3 PLC $\pm .005$ 4 PLC \pm ANGLES: \pm FINISH:	PRODUCT SPEC APPLICATION SPEC WEIGHT CUSTOMER DRAWING	NAME: ASSEMBLY, DOUBLE PAIR, SINGLE ENTRY, PIVOT II CONNECTOR SIZE: A1 CAGE CODE: 00779 DRAWING NO: 1339305	SCALE: 6:1 SHEET: 1 OF 1 REV: D

X-ON Electronics

Largest Supplier of Electrical and Electronic Components

Click to view similar products for te connectivity manufacturer:

Other Similar products are found below :

[570416-000](#) [CLTEQ-M81CE-SSRELAY-4-20V](#) [4-1633138-8](#) [1-2217206-1](#) [D38999/24FJ4AN](#) [358838-000](#) [4-1195131-0](#) [650069-000](#)
[SMD100-2](#) [CB-1022B-78](#) [RM707012](#) [RP410012](#) [MMS42](#) [1-640426-8](#) [2EDL4CM](#) [DTS20W19-11PD-3028](#) [DTS20W19-11PD-3028-LC](#)
[DTS20W19-32SD-3028-LC](#) [DTS20W19-32SD-3028](#) [RM202615](#) [NC6-P104-06](#) [TXR64AB90-3616AI](#) [MSPS103B](#) [DTS26F21-41HE](#)
[DTS26F21-41AE](#) [DTS26F21-41PE-LC](#) [DTS26F21-11SE-3028-LC](#) [1932144-1](#) [293545-4](#) [LVR125S](#) [MS27466T25F4PB](#) [CKB-38-78010](#)
[1206SFF150F/63-2](#) [5-2027513-8](#) [D38999/20JB35HA](#) [D38999/24WJ20PA](#) [1754138-1](#) [TE1500A2R2J](#) [DTS24F25-29PC-3028-LC](#) [164-8033-](#)
[08](#) [D38999/24WG11HA](#) [D38999/24WG11HN](#) [MS27467T21F11H](#) [DJT16E21-11HA](#) [1206SFH150F/24-2](#) [1-532955-3](#) [DTS20W19-32SA-](#)
[3028-LC](#) [DTS24F19-11SC-3028-LC](#) [DTS24F19-11SC-3028](#) [D38999/20WC8BB](#)