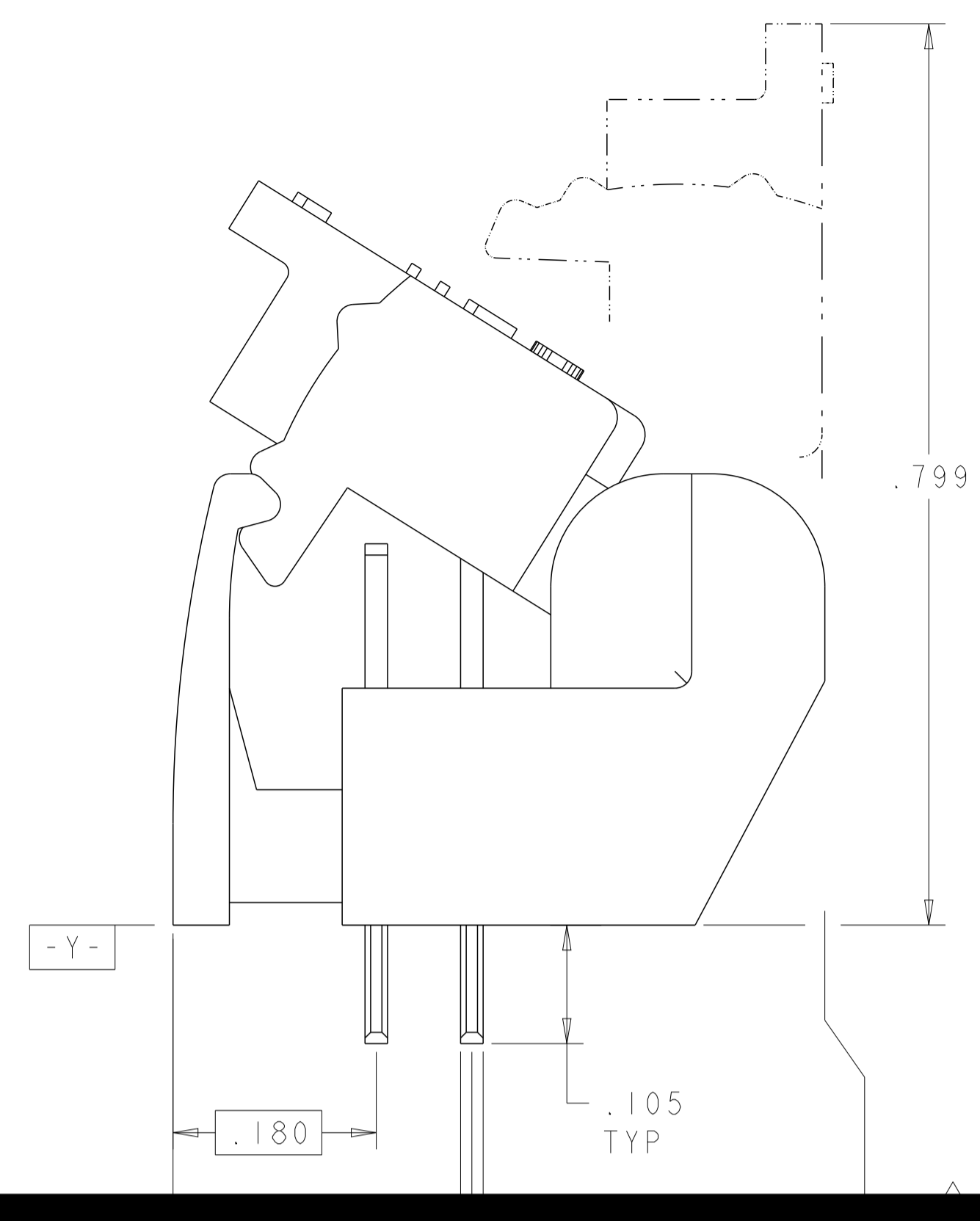
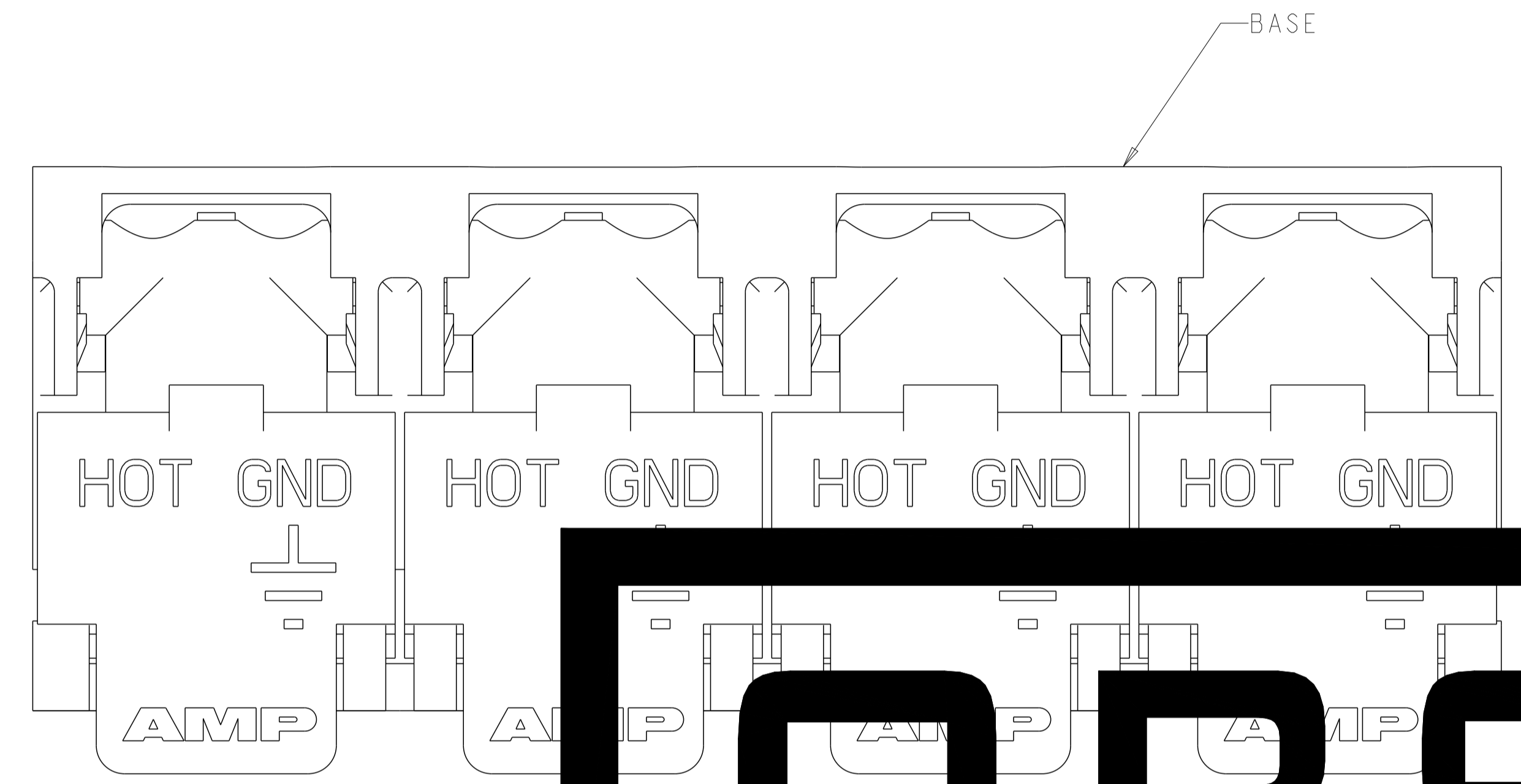
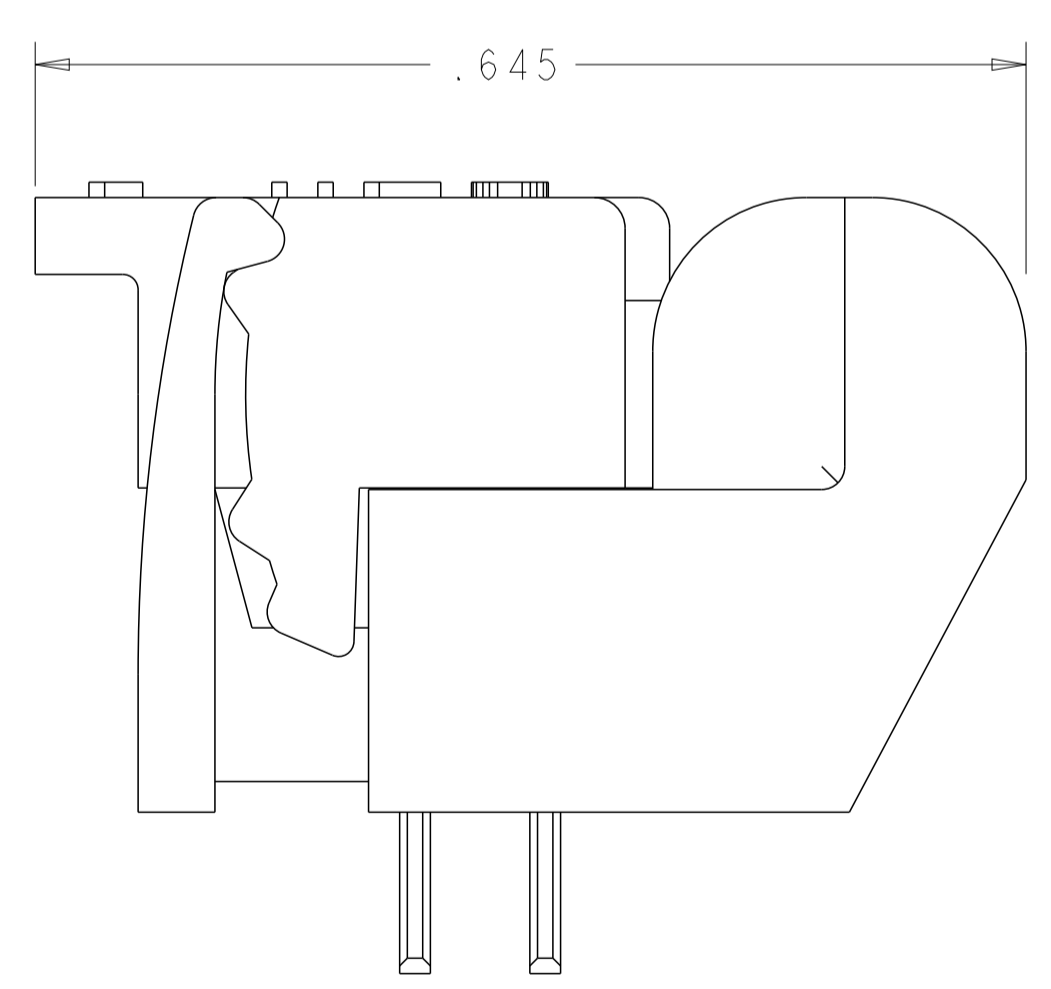
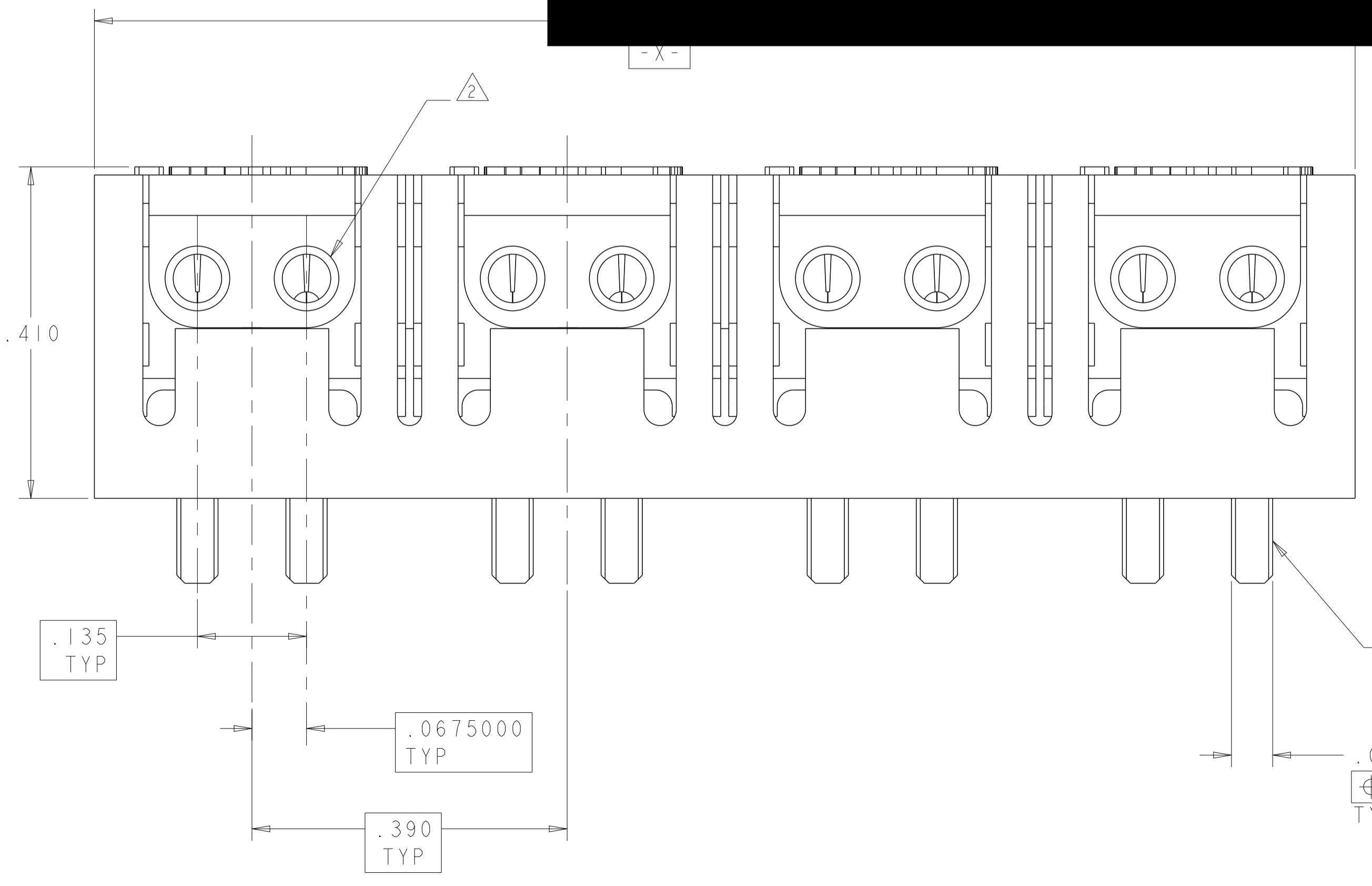


REVISIONS				
P.	LTM	DESCRIPTION	DATE	APVD
D2		REVISED ECR-19-019743	02JUN2020	J. J. W. H.

- △ MATERIAL: BASE - POLYESTER MOLDING COMPOUND, BLACK.  
WIRE STUFFER: - POLYESTER MOLDING COMPOUND, BLACK.  
TERMINAL - COPPER ALLOY, PLATED WITH 3.81μm MINIMUM THICK TIN OVER 1.27μm MINIMUM THICK NICKEL UNDERPLATE.
- △ EACH WIRE ENTRY HOLE ACCEPTS ONE UNSTRIPPED SOLID COPPER 22-26 AWG WIRE WITH WIRE INSULATION DIAMETER RANGE FROM .060 THROUGH .040. OTHER WIRE SIZES AND TYPES SHALL BE SUBMITTED TO AMP ENGINEERS FOR APPLICATION APPROVAL.
- 3. SOLDER TABS PROVIDED FOR PERMANENT BOARD MOUNTING.
- △ LOCATION OF HOLE PATTERN DETERMINED BASED ON CUSTOMER REQUIREMENTS.



# OBSOLETE



CLOSED POSITION

SUGGESTED PRINTED CIRCUIT BOARD MOUNTING DIMENSIONS VIEWED FROM SOLDER SIDE

1339312-1  
PART NUMBER

THIS DRAWING IS A CONTROLLED DOCUMENT.		DWN: K. ZARBOCK 28APR00		ASSEMBLY, FOUR PAIR, DOUBLE ENTRY, PIVOT II CONNECTOR	
DIMENSIONS: INCHES		CHK: M. DERSTINE 28APR00			NAME: M. DERSTINE 28APR00
0 PLC ±. 1 PLC ±.01 2 PLC ±.01 3 PLC ±.005 4 PLC ±. ANGLES ±2° FINISH		PRODUCT SPEC: APPLICATION SPEC: SIZE: A   00779   C=1339312 WEIGHT: - CUSTOMER DRAWING			
TOLERANCES UNLESS OTHERWISE SPECIFIED: MATERIAL: △		RESTRICTED TO: - SCALE: 8:1 SHEET 1 OF 1 REV: D2			

## X-ON Electronics

Largest Supplier of Electrical and Electronic Components

*Click to view similar products for [Headers & Wire Housings](#) category:*

*Click to view products by [TE Connectivity](#) manufacturer:*

Other Similar products are found below :

[95000-104TRLF](#) [10135584-644402LF](#) [DF62W-EP2022PCA](#) [95000-106TRLF](#) [DF62W-2022SCA](#) [DF62W-EP2022PC](#) [2203348](#) [DF62W-2022SC](#) [1084018](#) [1029039](#) [1084017](#) [802-10-012-10-002000](#) [1112640](#) [1112639](#) [000-34000](#) [0009482033](#) [0009507031](#) [57102-S06-03LF](#) [57202-S52-04LF](#) [PCN6-15S-2.5E](#) [0039019024](#) [58102-G61-06LF](#) [582553-1](#) [0009508121](#) [0050291907](#) [018731A](#) [LY20-4P-DT1-P1E-BR](#) [02.125.8002.8](#) [60101931](#) [60598-1 \(Cut Strip\)](#) [M1625-3R/100](#) [61062-3](#) [61082-181009](#) [636-1427](#) [638009-1](#) [641938-9](#) [641991-4](#) [644168-1](#) [647662-1](#) [65039-019ELF](#) [65817-002LF](#) [65817-015LF](#) [65863-015LF](#) [66207-023LF](#) [67016-026LF](#) [67046-001LF](#) [67095-007LF](#) [68002-116](#) [68016-236H](#) [68648-049](#)