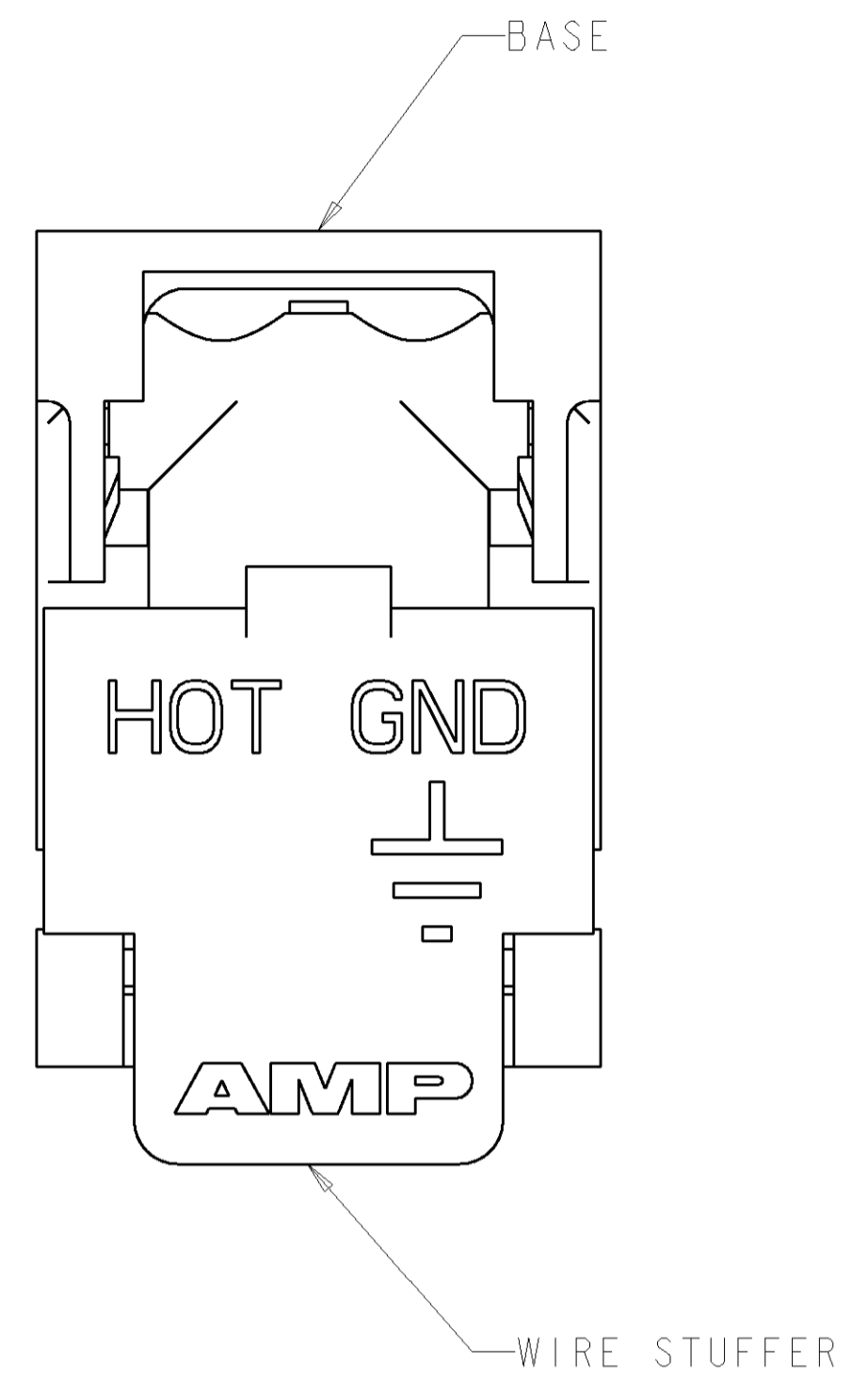
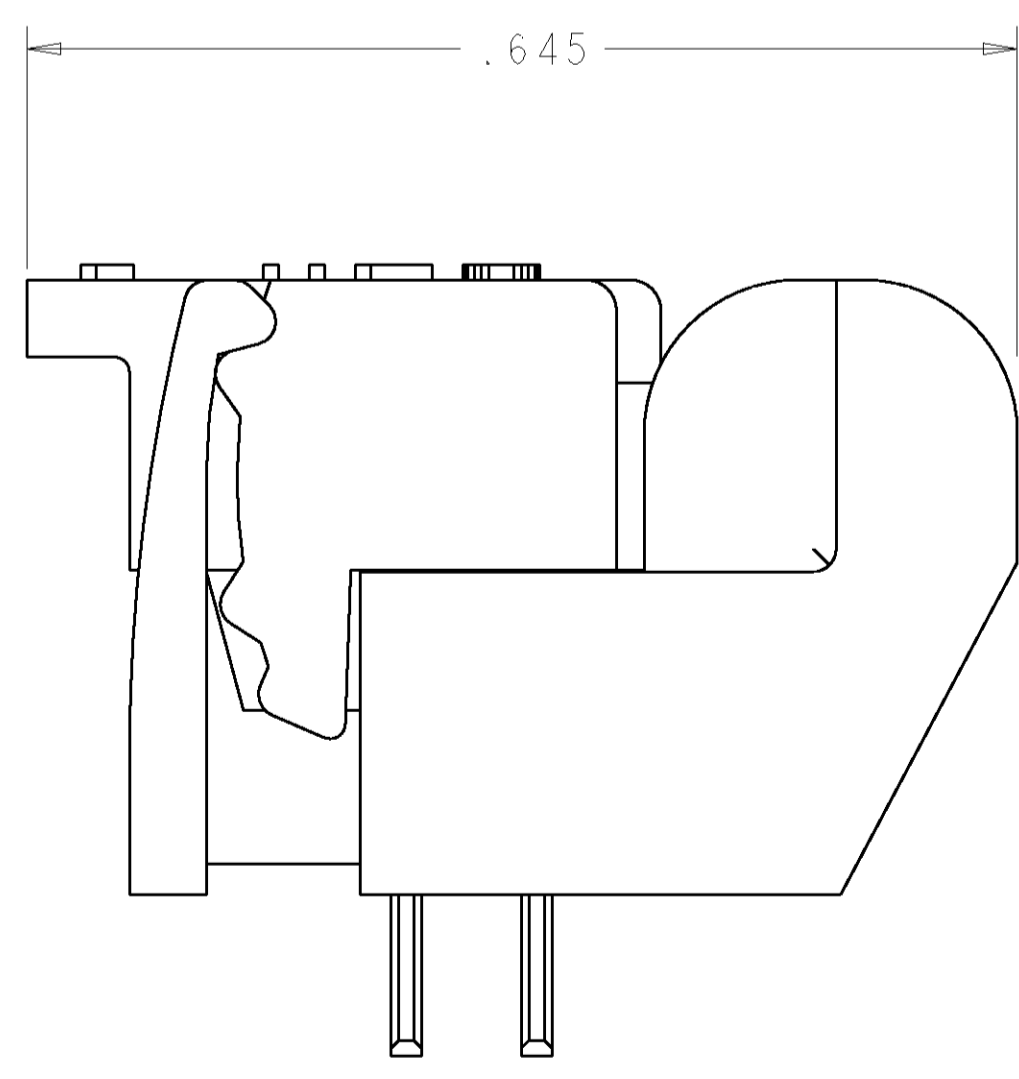
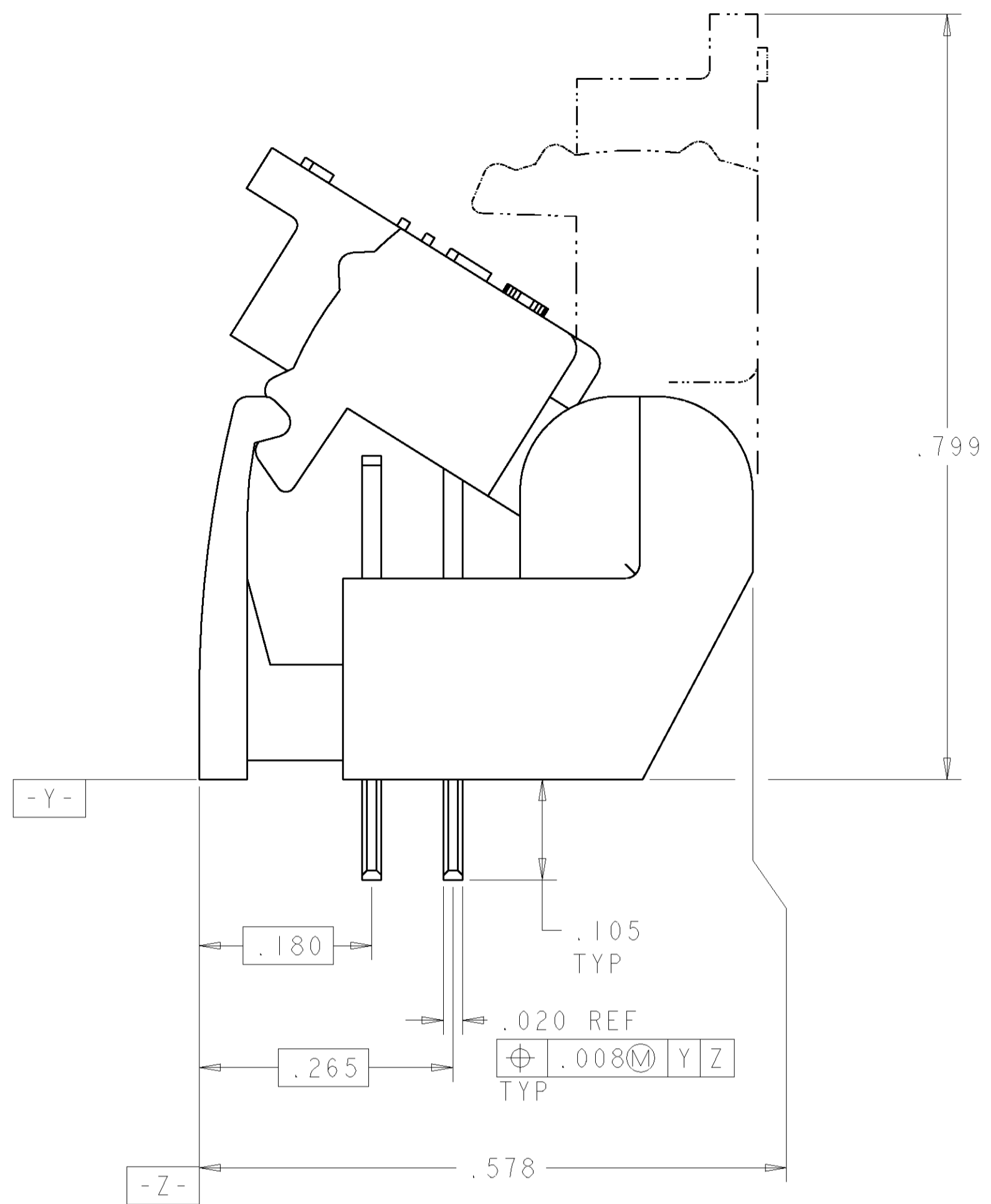


LOC	DIST	REV	DATE	BY	CHKD
GP	0				
B		REVISED: EC 0U1C-0007-01	22JAN2001	JA	TW
C		ADDED: -2; EC 0U1F0-0113-01	08AUG2001	DLD	AWR
D		REVISED PER EC 0S15-0450-02	21JAN2003	DLD	RPM
E		REVISED PER EC 0S15-0324-03	08DEC2003	JB	CF

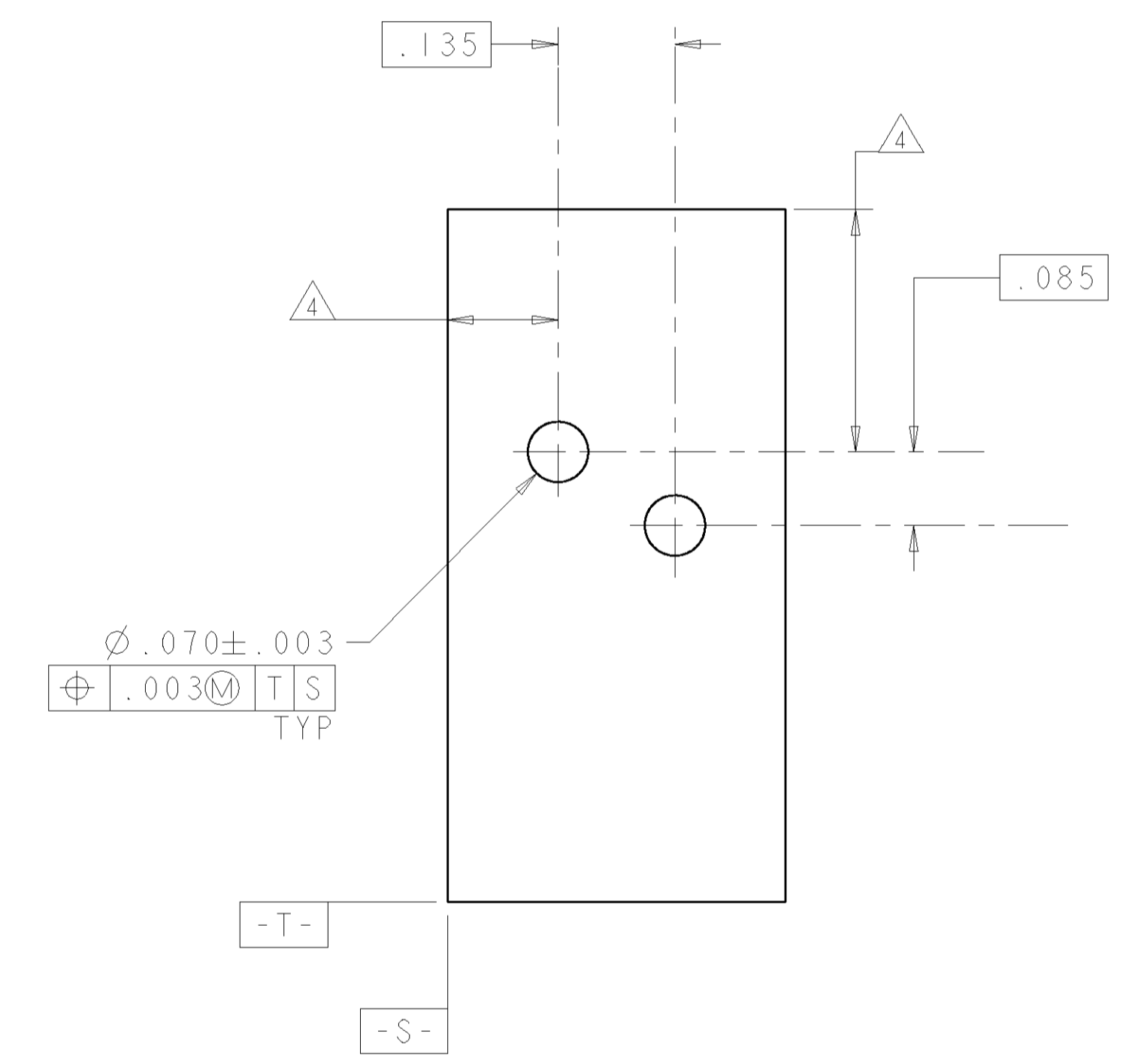
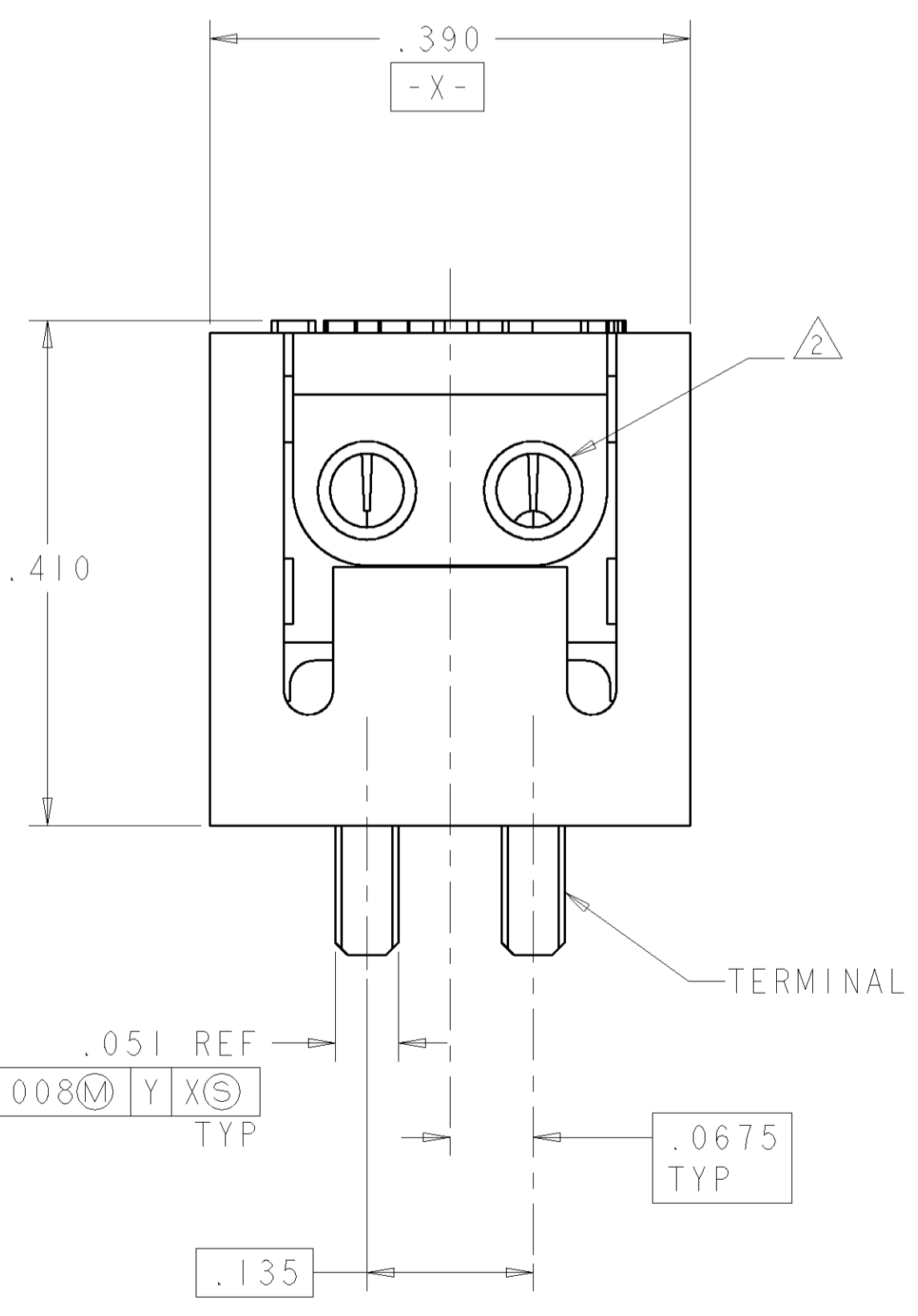


1339345-1 SHOWN



CLOSED POSITION

- △ MATERIAL: BASE - POLYESTER MOLDING COMPOUND, BLACK.
 WIRE STUFFER: - POLYESTER MOLDING COMPOUND, BLACK.
 TERMINAL - COPPER ALLOY, PLATED WITH 3.81μm MINIMUM THICK TIN OVER 1.27μm MINIMUM THICK NICKEL UNDERPLATE.
- △ EACH WIRE ENTRY HOLE ACCEPTS ONE UNSTRIPPED SOLID COPPER 22-26 AWG WIRE WITH WIRE INSULATION DIAMETER RANGE FROM .060 THROUGH .040. OTHER WIRE SIZES AND TYPES SHALL BE SUBMITTED TO AMP ENGINEERS FOR APPLICATION APPROVAL.
- 3. SOLDER TABS PROVIDED FOR PERMANENT BOARD MOUNTING.
- △ LOCATION OF HOLE PATTERN DETERMINED BASED ON CUSTOMER REQUIREMENTS.



SUGGESTED PRINTED CIRCUIT BOARD MOUNTING DIMENSIONS VIEWED FROM SOLDER SIDE

BLANK	1339345-2
HOT GND	1339345-1
MARKINGS	PART NUMBER

<small>THIS DRAWING IS UNPUBLISHED. RELEASED FOR PUBLICATION. ALL RIGHTS RESERVED. ALL DIMENSIONS ARE IN INCHES UNLESS OTHERWISE SPECIFIED. ORGANIZATION SHOULD BE CONTACTED FOR THE LATEST REVISION.</small>		DWN J. AHERON CHK - APVD T. WOJCIACKI	I1SEPOD I1SEPOD NAME PRODUCT SPEC APPLICATION SPEC	AMP AMP Incorporated Harrisburg, PA 17105-3608
DIMENSIONS: INCHES TOLERANCES UNLESS OTHERWISE SPECIFIED: 0 PLC ±. 1 PLC ±.01 2 PLC ±.01 3 PLC ±.005 4 PLC ±. ANGLES FINISH	WEIGHT CUSTOMER DRAWING	SIZE A1 CAGE CODE 00779 DRAWING NO. 1339345	ASSEMBLY, SINGLE PAIR, DOUBLE ENTRY, PIVOT II CONNECTOR	SCALE 8:1 SHEET 1 OF 1 REV F

X-ON Electronics

Largest Supplier of Electrical and Electronic Components

Click to view similar products for [Headers & Wire Housings](#) category:

Click to view products by [TE Connectivity](#) manufacturer:

Other Similar products are found below :

[892-18-020-10-001101](#) [58102-G61-06LF](#) [582553-1](#) [0009485154](#) [009176003701906](#) [0050291907](#) [LY20-4P-DT1-P1E-BR](#) [02.125.8002.8](#)
[609-3404](#) [61062-3](#) [61082-181009](#) [622-3653LF](#) [63453-116](#) [636-1030](#) [636-1427](#) [636-3427](#) [636-4007](#) [641938-9](#) [641991-4](#) [644827-2](#) [65817-010LF](#) [65817-015LF](#) [65863-015LF](#) [66207-023LF](#) [67095-007LF](#) [67601157](#) [68645-018](#) [68648-049](#) [70.362.1628.0](#) [70-4210](#) [70-4226B](#) [70-4853B](#) [707-5020](#) [707-5028](#) [71.350.2428.0](#) [71918-208LF](#) [71961-016LF](#) [733-134](#) [733-162](#) [754199-000](#) [760-3052](#) [787-8014-00](#) [79531-3000](#)
[FCN-360C032-B](#) [FCN-367T-T012/H](#) [FCN-723D010/2](#) [80.063.4001.1](#) [800-90-001-10-001000](#) [800-90-010-10-002000](#) [801-43-002-10-013000](#)