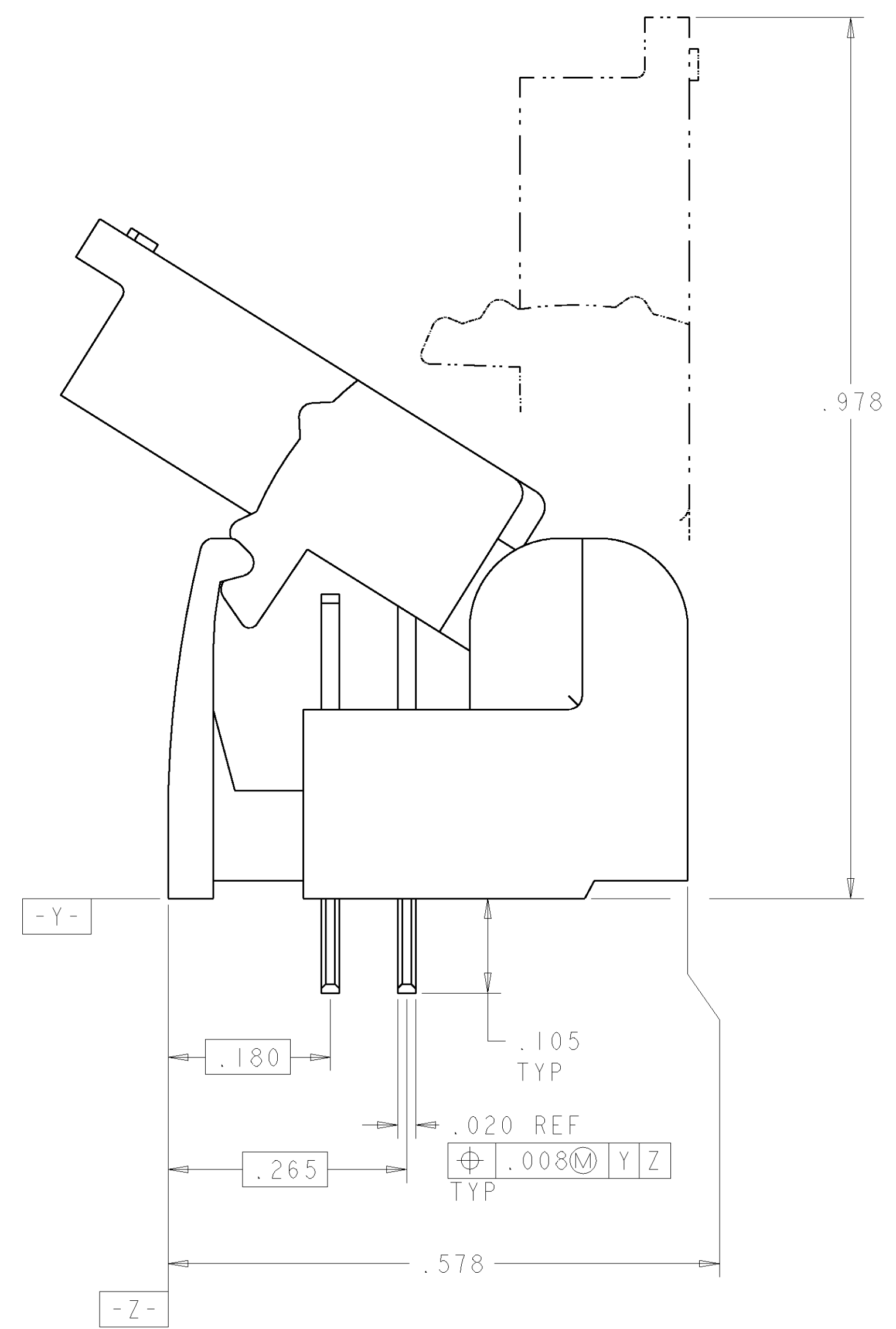
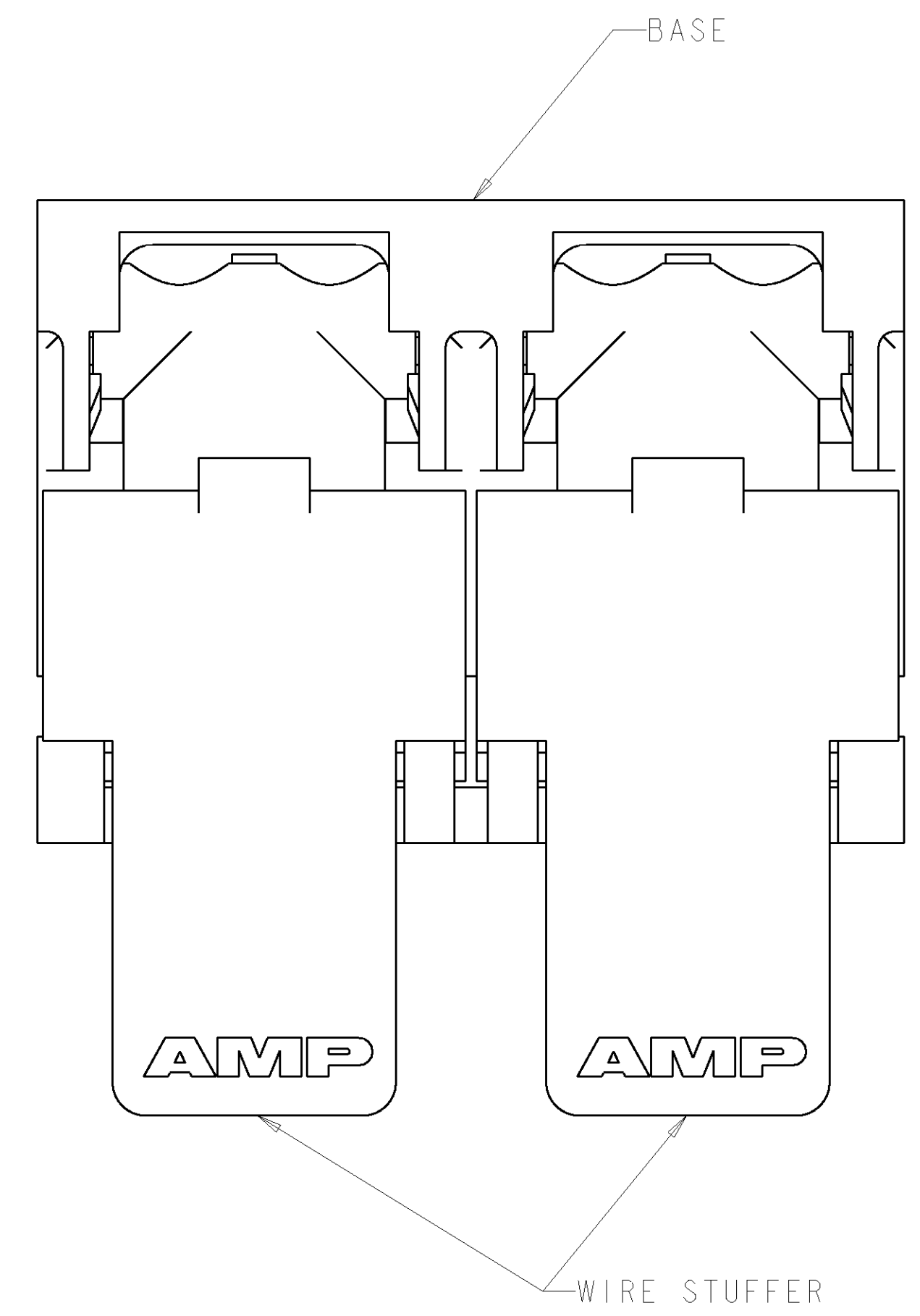
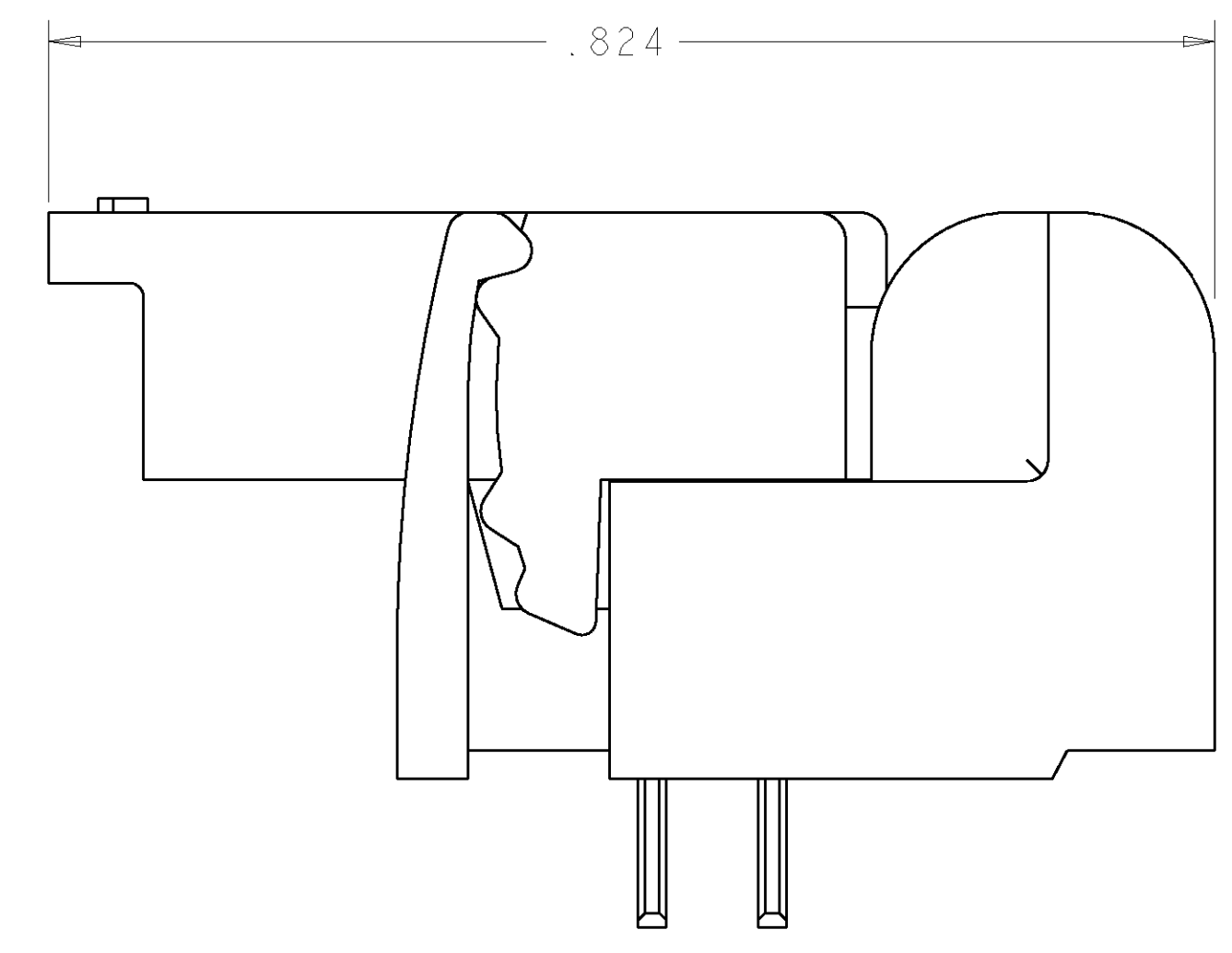
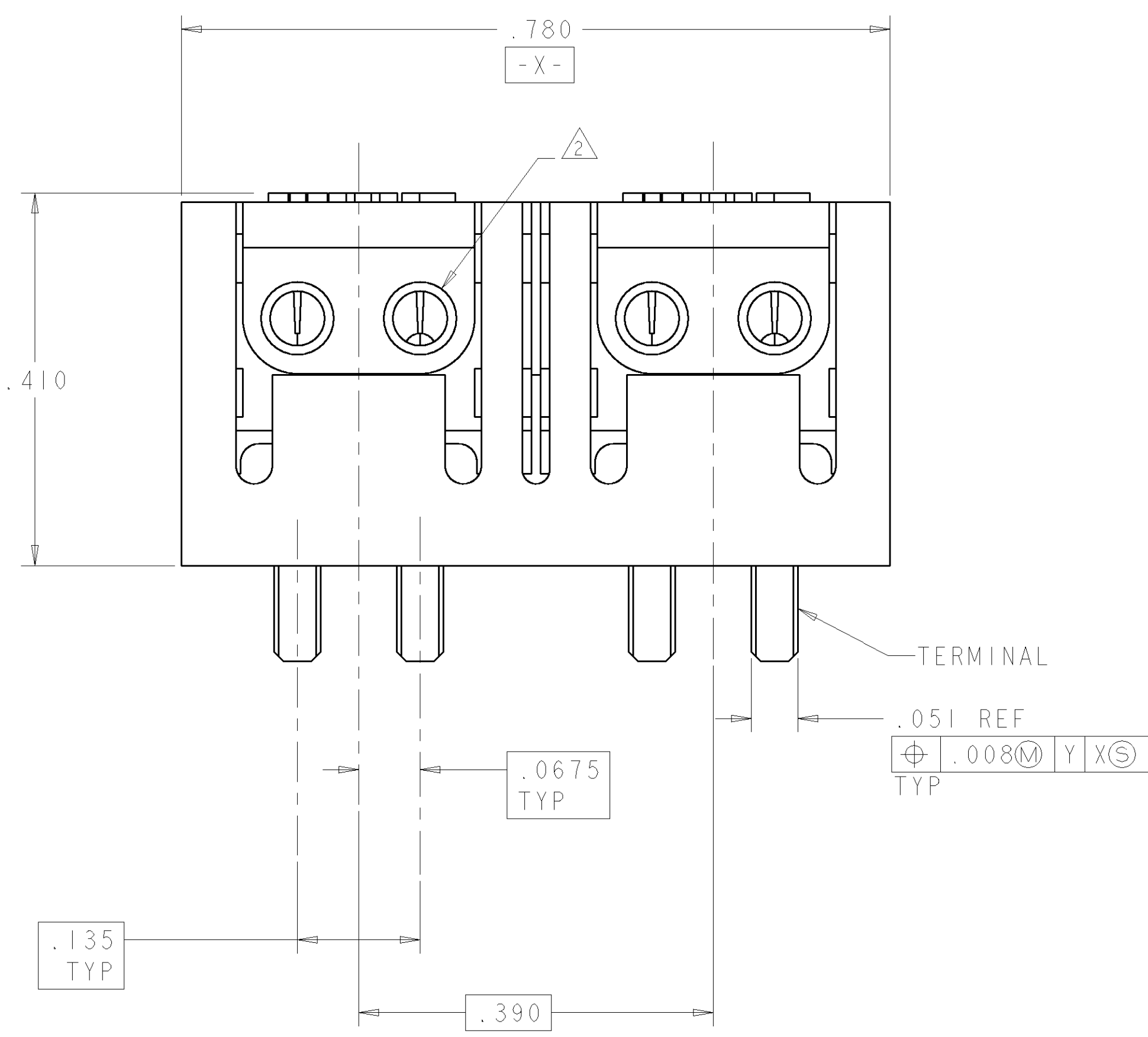


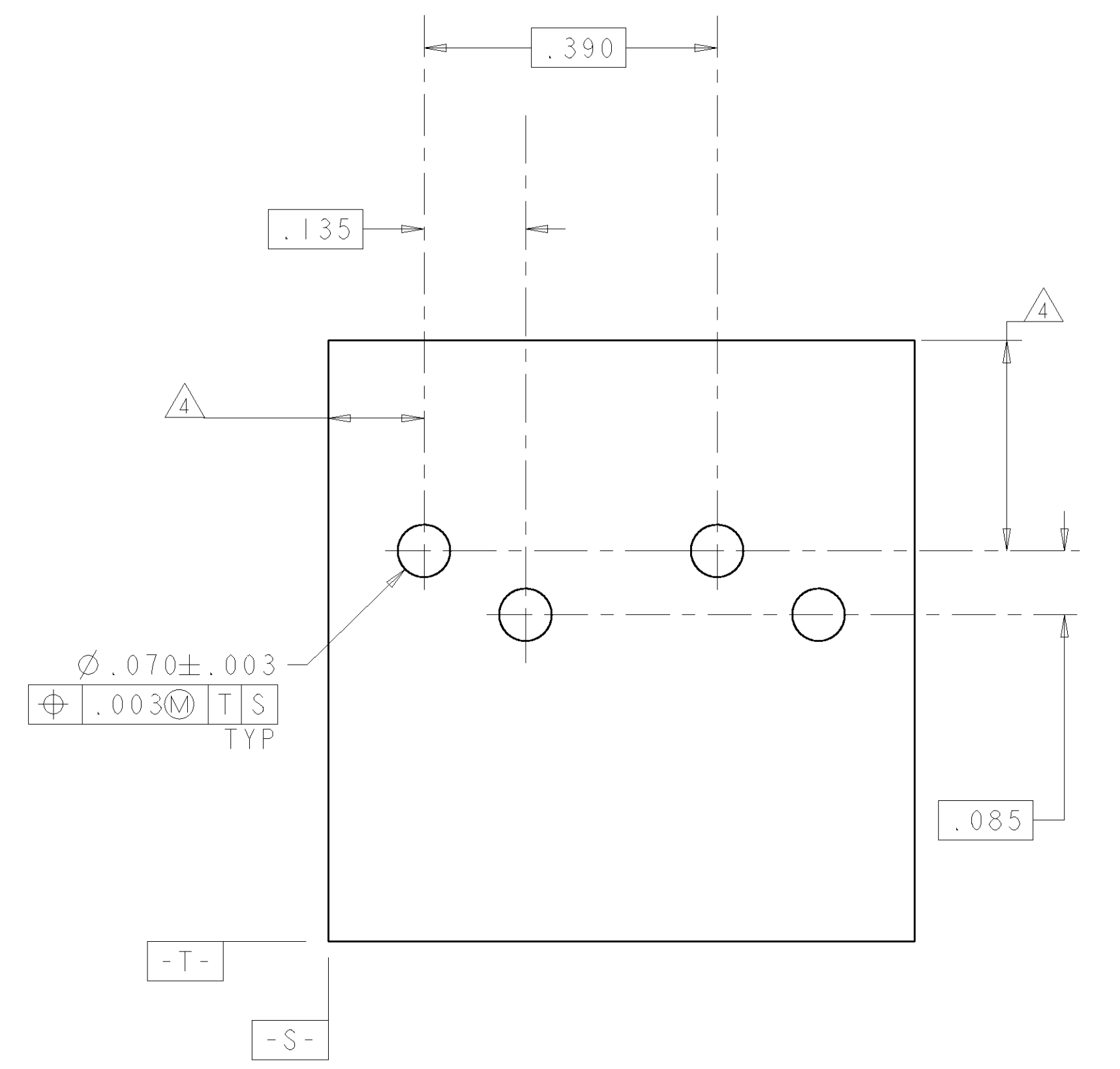
LOC	DIST	REVISONS					
GP	0	F	LTR	DESCRIPTION	DATE	DWN	APPR
		F1		REVISED PER ECO-11-005294	20APR11	RK	HMR



- 1 MATERIAL: BASE - POLYESTER MOLDING COMPOUND, BLACK. WIRE STUFFER - POLYCARBONATE MOLDING COMPOUND, SEE TABLE FOR COLOR. TERMINAL - COPPER ALLOY, PLATED WITH 3.81 μm MINIMUM THICK TIN OVER 1.27 μm MINIMUM THICK NICKEL UNDERPLATE.
- 2 EACH WIRE ENTRY HOLE ACCEPTS ONE UNSTRIPPED SOLID COPPER 22-26 AWG WIRE WITH WIRE INSULATION DIAMETER RANGE FROM .060 THROUGH .040. OTHER WIRE SIZES AND TYPES SHALL BE SUBMITTED TO AMP ENGINEERS FOR APPLICATION APPROVAL.
- 3. SOLDER TABS PROVIDED FOR PERMANENT BOARD MOUNTING.
- 4 LOCATION OF HOLE PATTERN DETERMINED BASED ON CUSTOMER REQUIREMENTS.



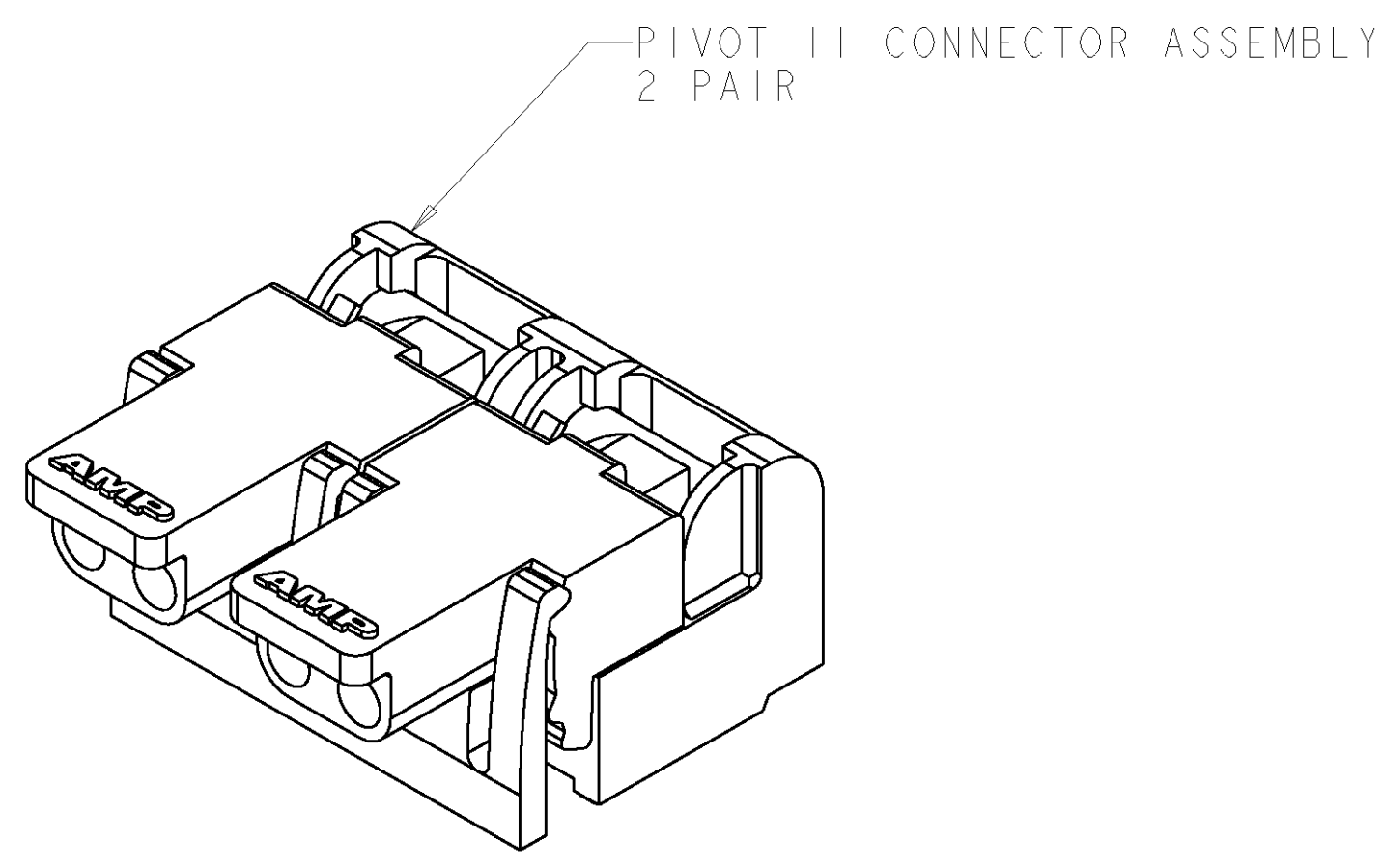
CLOSED POSITION



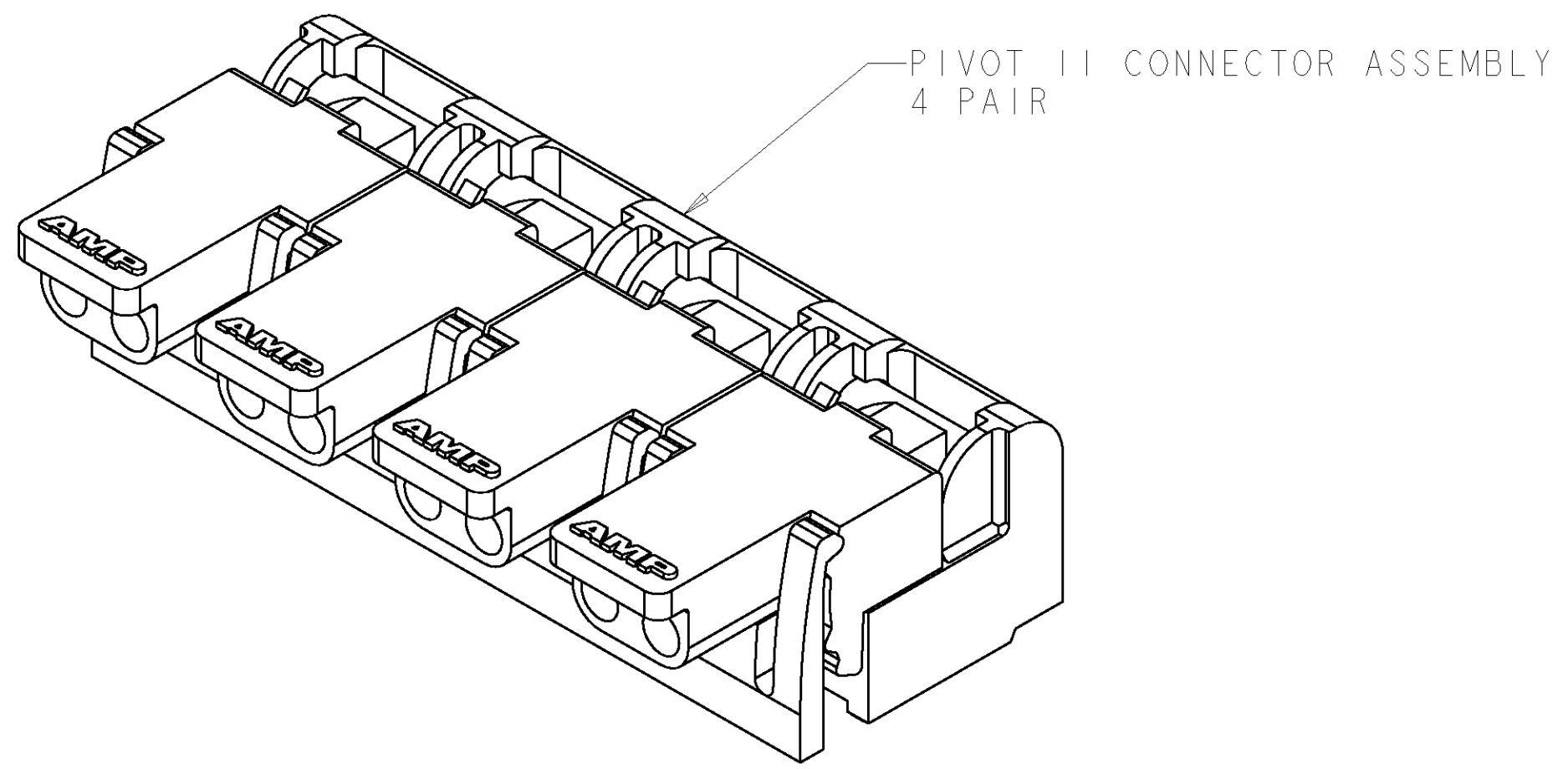
SUGGESTED PRINTED CIRCUIT BOARD MOUNTING DIMENSIONS (VIEWED FROM SOLDER SIDE)

ENTRY BASE	STUFFER COLOR	DESCRIPTION	PART NUMBER
DOUBLE	WHITE	4 PAIR, SH 2	1339376-3
SINGLE	CLEAR	4 PAIR, SH 2	1339376-2
SINGLE	CLEAR	AS SHOWN	1339376-1

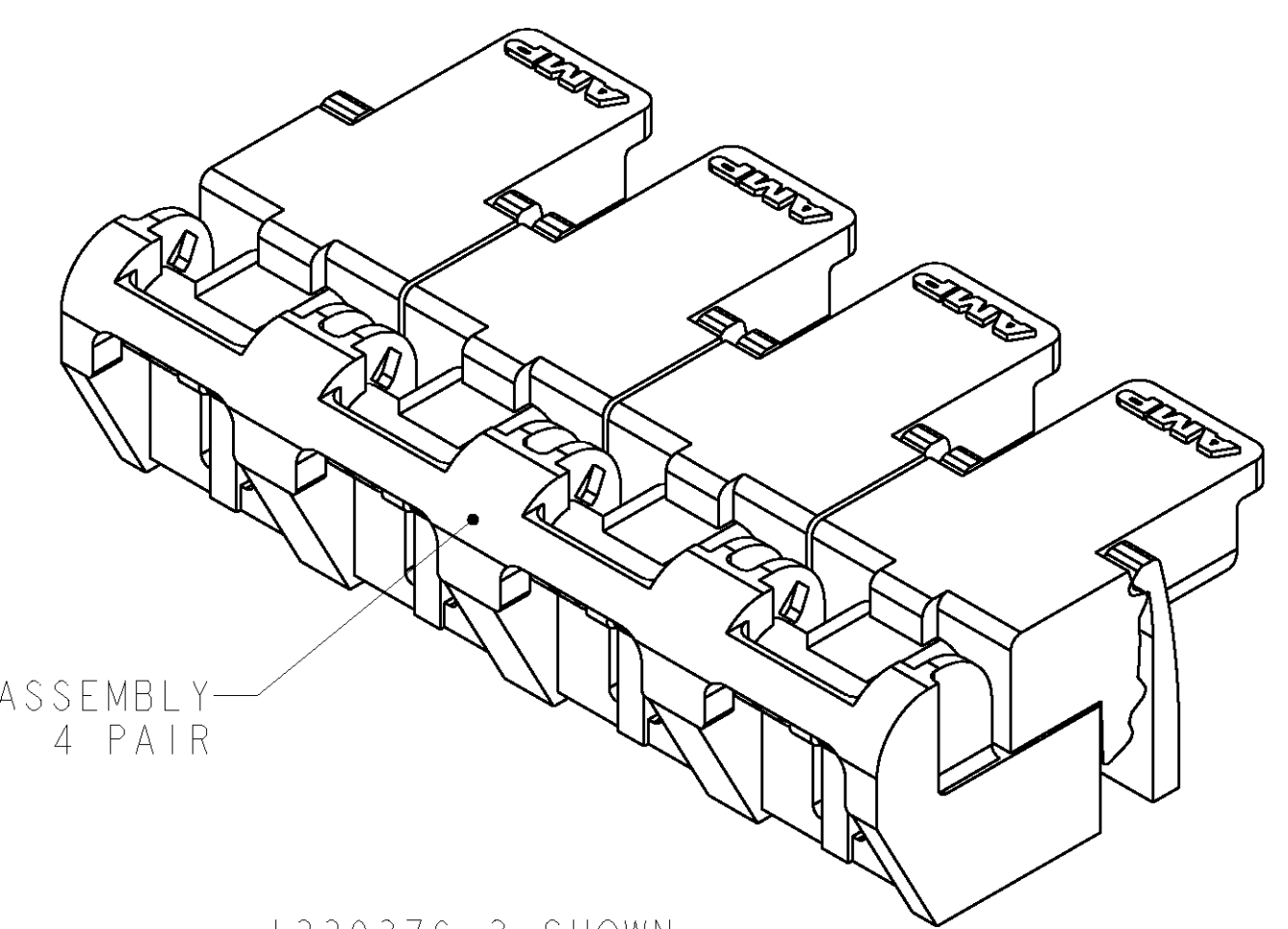
DIMENSIONS: INCHES		TOLERANCES UNLESS OTHERWISE SPECIFIED:		DRAWN: J. AHERON 30NOV00		CHK: S. ROBERTSON 30NOV00		APPR: S. ROBERTSON 30NOV00		NAME: ASSEMBLY, SINGLE ENTRY, PIVOT 11 CONNECTOR	
\varnothing .003 (M) T S TYP \varnothing .070 \pm .003 TYP		0 PLC \pm .01 1 PLC \pm .01 2 PLC \pm .01 3 PLC \pm .005 4 PLC \pm .01 ANGLES \pm .01 FINISH -		PRODUCT SPEC APPLICATION SPEC WEIGHT CUSTOMER DRAWING		SIZE: A1 CAGE CODE: 00779 DRAWING NO: 1339376		SCALE: 6:1 SHEET: 1 OF 2 REV: F1		STE TE Connectivity	



1339376-1 SHOWN
SCALE 4:1

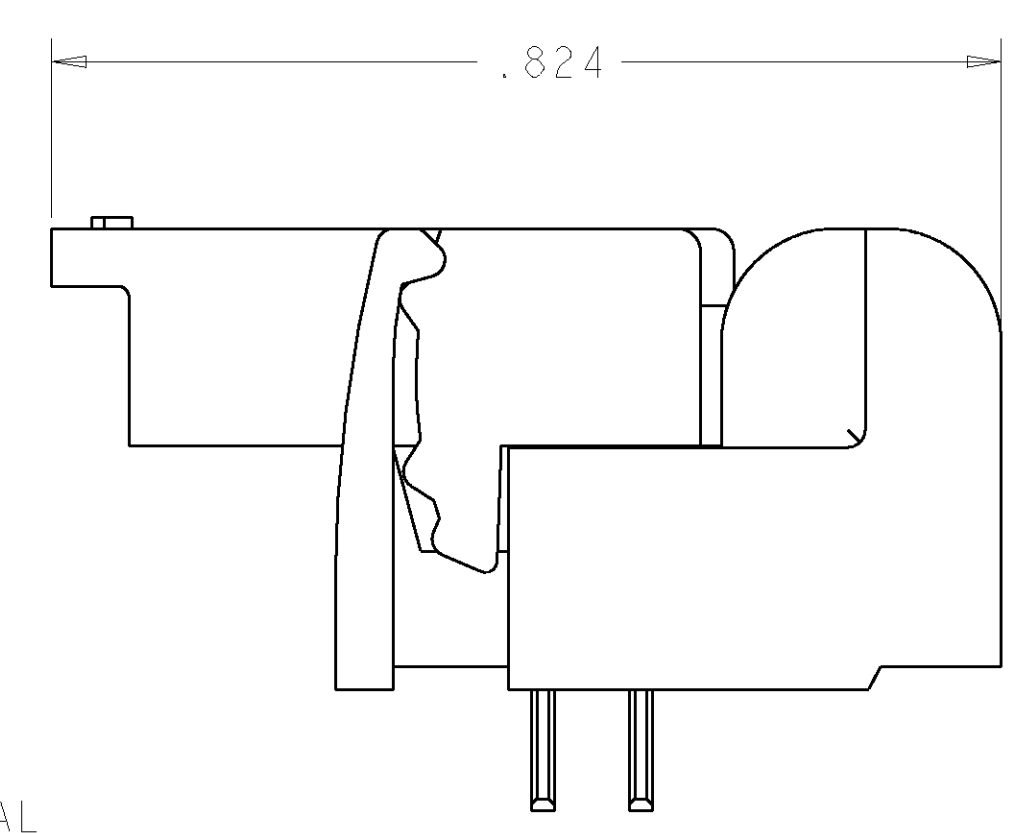
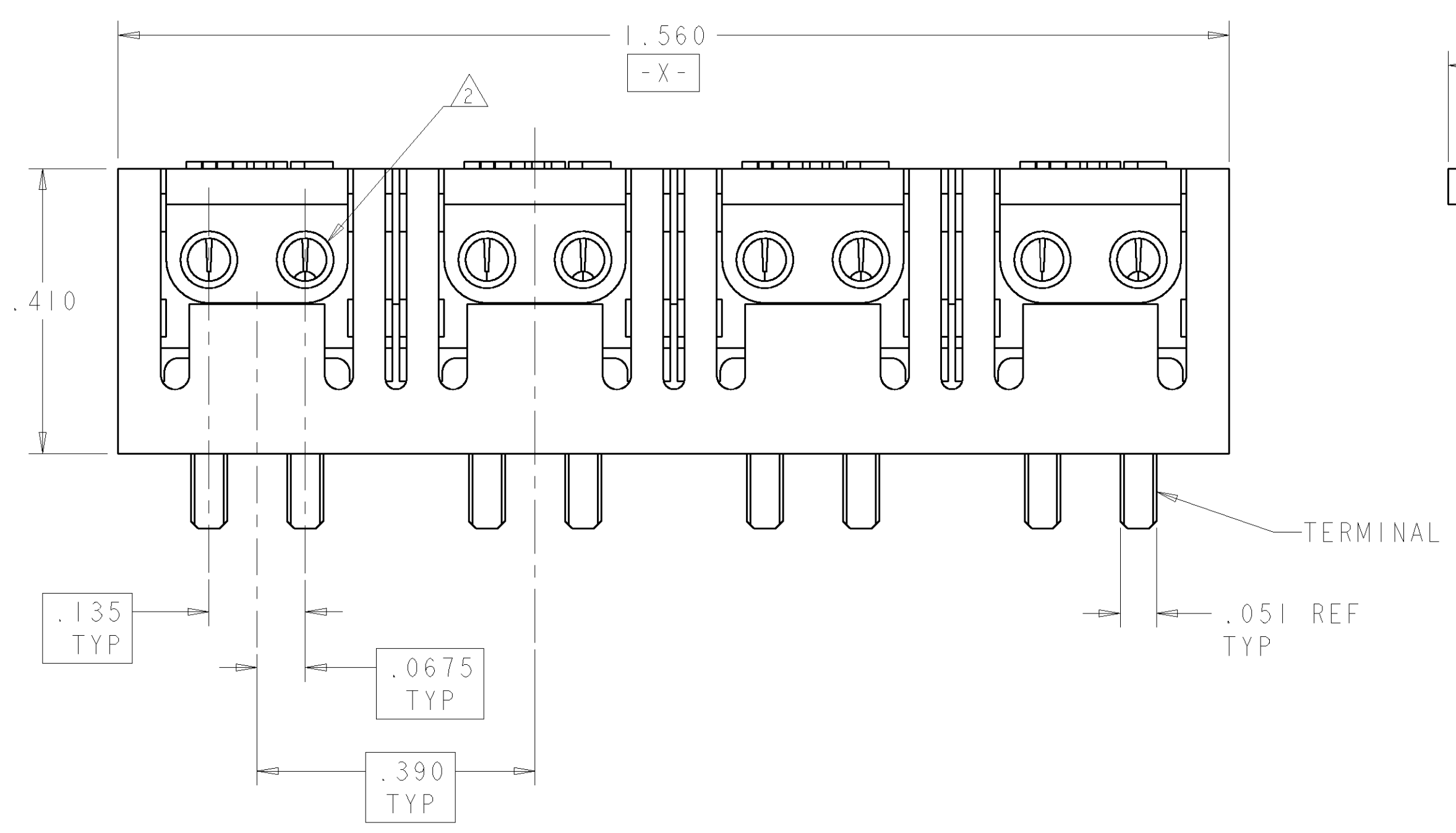
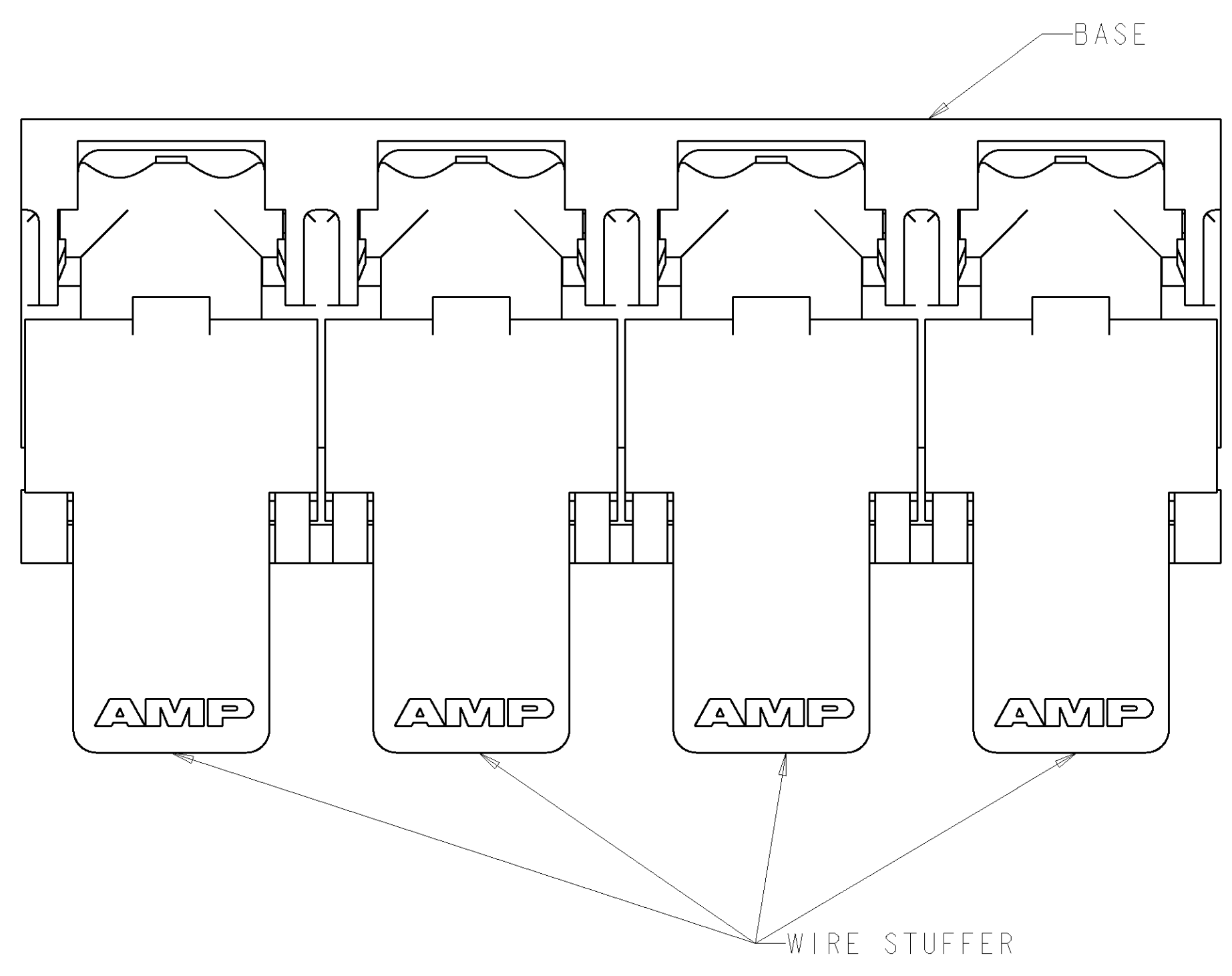


1339376-2 SHOWN
SCALE 4:1

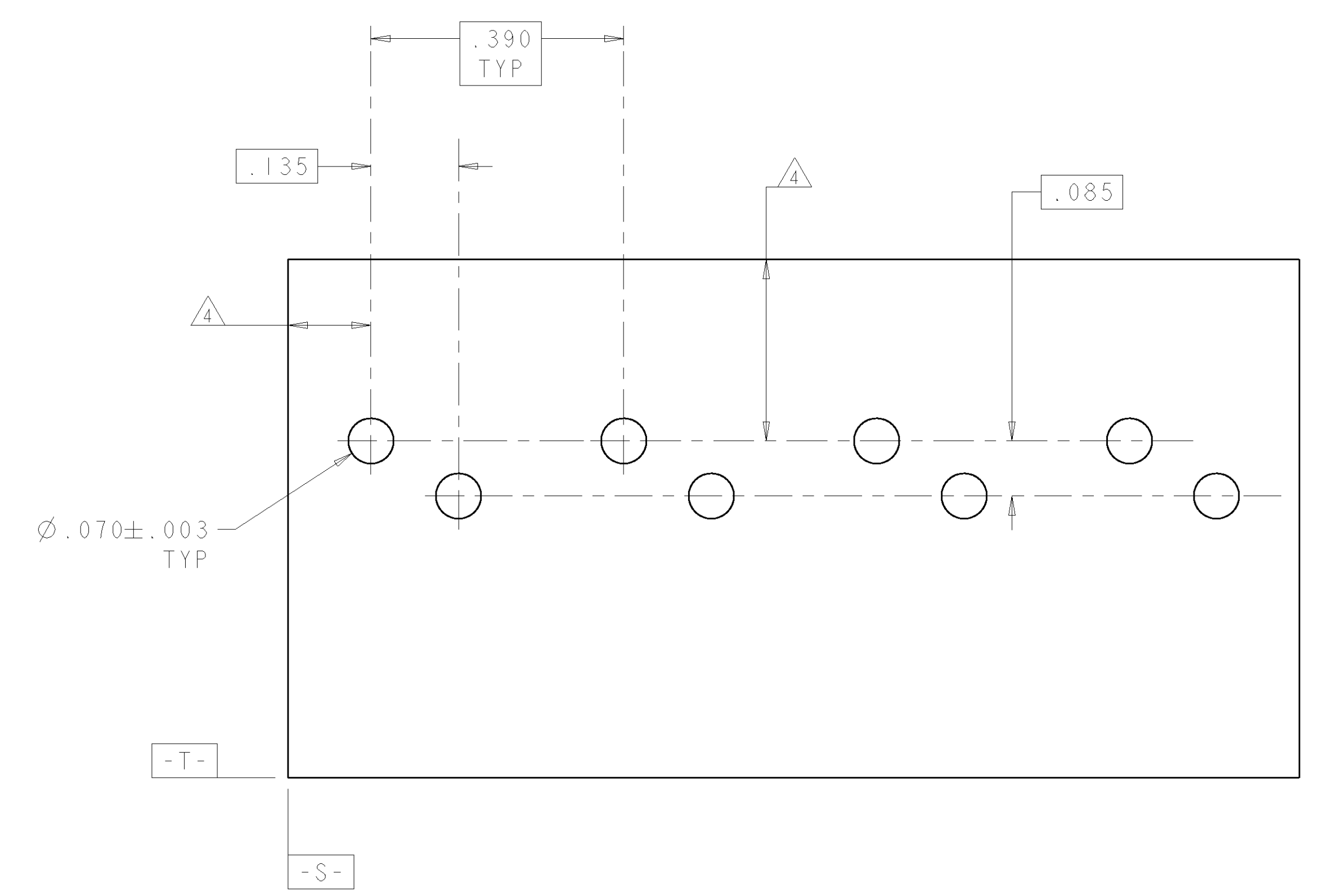


PIVOT II CONNECTOR ASSEMBLY
4 PAIR

1339376-3 SHOWN
(WITH DOUBLE ENTRY)
SCALE 4:1



CLOSED POSITION



SUGGESTED PRINTED CIRCUIT BOARD
MOUNTING DIMENSIONS
(VIEWED FROM SOLDER SIDE)

DIMENSIONS: INCHES		TOLERANCES UNLESS OTHERWISE SPECIFIED:		DWN: J. AHERON 30NOV00		ENR: S. ROBERTSON 30NOV00		APVD: S. ROBERTSON 30NOV00		NAME: ASSEMBLY, SINGLE ENTRY, PIVOT II CONNECTOR	
		Ø PLC	±	PRODUCT SPEC	SIZE: A1		CAGE CODE: 00779		DRAWING NO: 1339376		
MATERIAL		1 PLC	±.01	APPLICATION SPEC	SCALE: 6:1		SHEET: 2		OF: 2		
FINISH		2 PLC	±.005	WEIGHT	REV: F1						
CUSTOMER DRAWING		3 ANGLE	±								

X-ON Electronics

Largest Supplier of Electrical and Electronic Components

Click to view similar products for [Headers & Wire Housings](#) category:

Click to view products by [TE Connectivity](#) manufacturer:

Other Similar products are found below :

[95000-104TRLF](#) [10135584-644402LF](#) [DF62W-EP2022PCA](#) [95000-106TRLF](#) [DF62W-2022SCA](#) [DF62W-EP2022PC](#) [2203348](#) [DF62W-2022SC](#) [1084018](#) [1029039](#) [1084017](#) [802-10-012-10-002000](#) [1112640](#) [1112639](#) [000-34000](#) [0009482033](#) [0009507031](#) [57102-S06-03LF](#) [57202-S52-04LF](#) [PCN6-15S-2.5E](#) [0039019024](#) [58102-G61-06LF](#) [582553-1](#) [0009508121](#) [0050291907](#) [018731A](#) [LY20-4P-DT1-P1E-BR](#) [02.125.8002.8](#) [60101931](#) [60598-1 \(Cut Strip\)](#) [M1625-3R/100](#) [61062-3](#) [61082-181009](#) [636-1427](#) [638009-1](#) [641938-9](#) [641991-4](#) [644168-1](#) [647662-1](#) [65039-019ELF](#) [65817-002LF](#) [65817-015LF](#) [65863-015LF](#) [66207-023LF](#) [67016-026LF](#) [67046-001LF](#) [67095-007LF](#) [68002-116](#) [68016-236H](#) [68648-049](#)