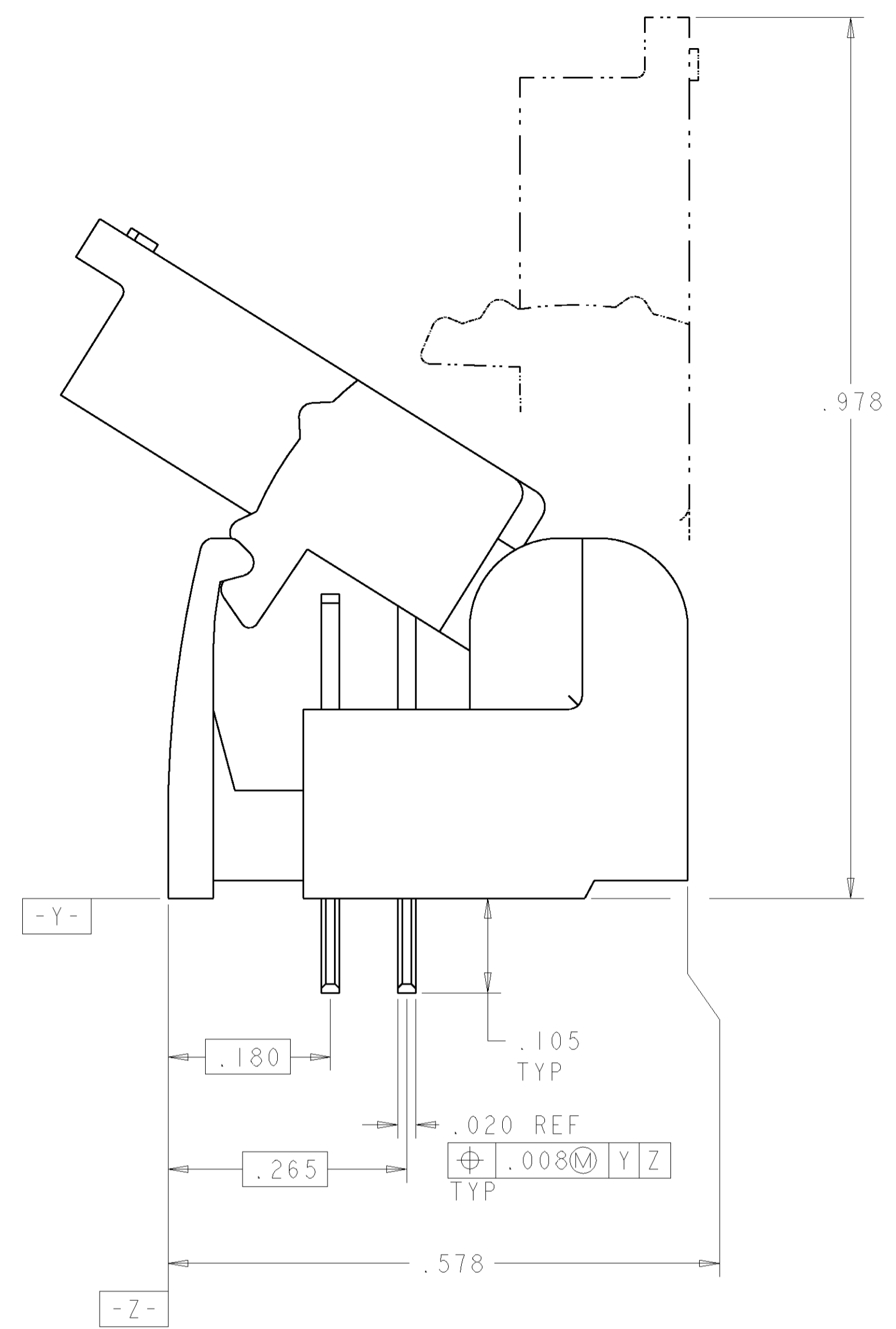
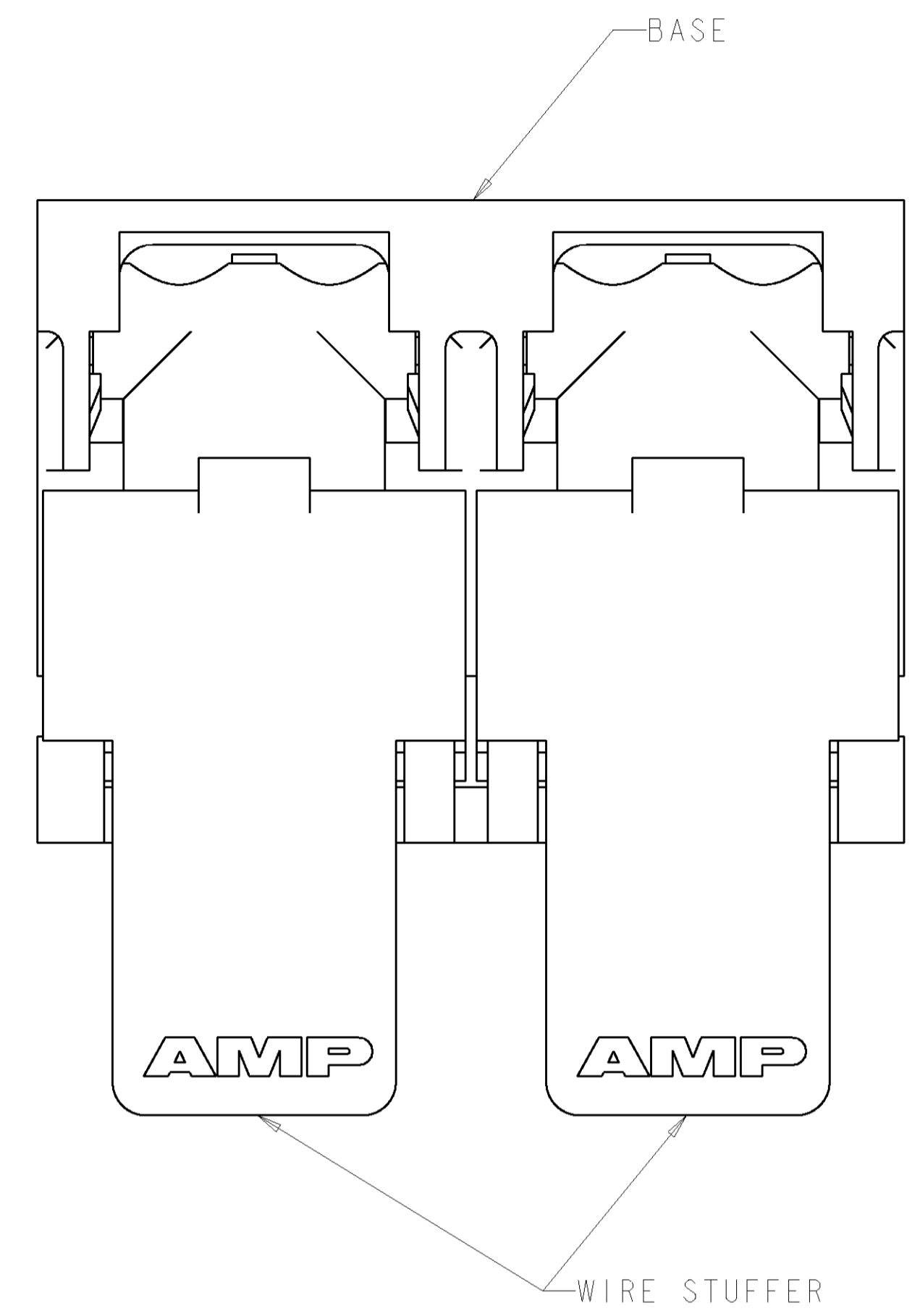
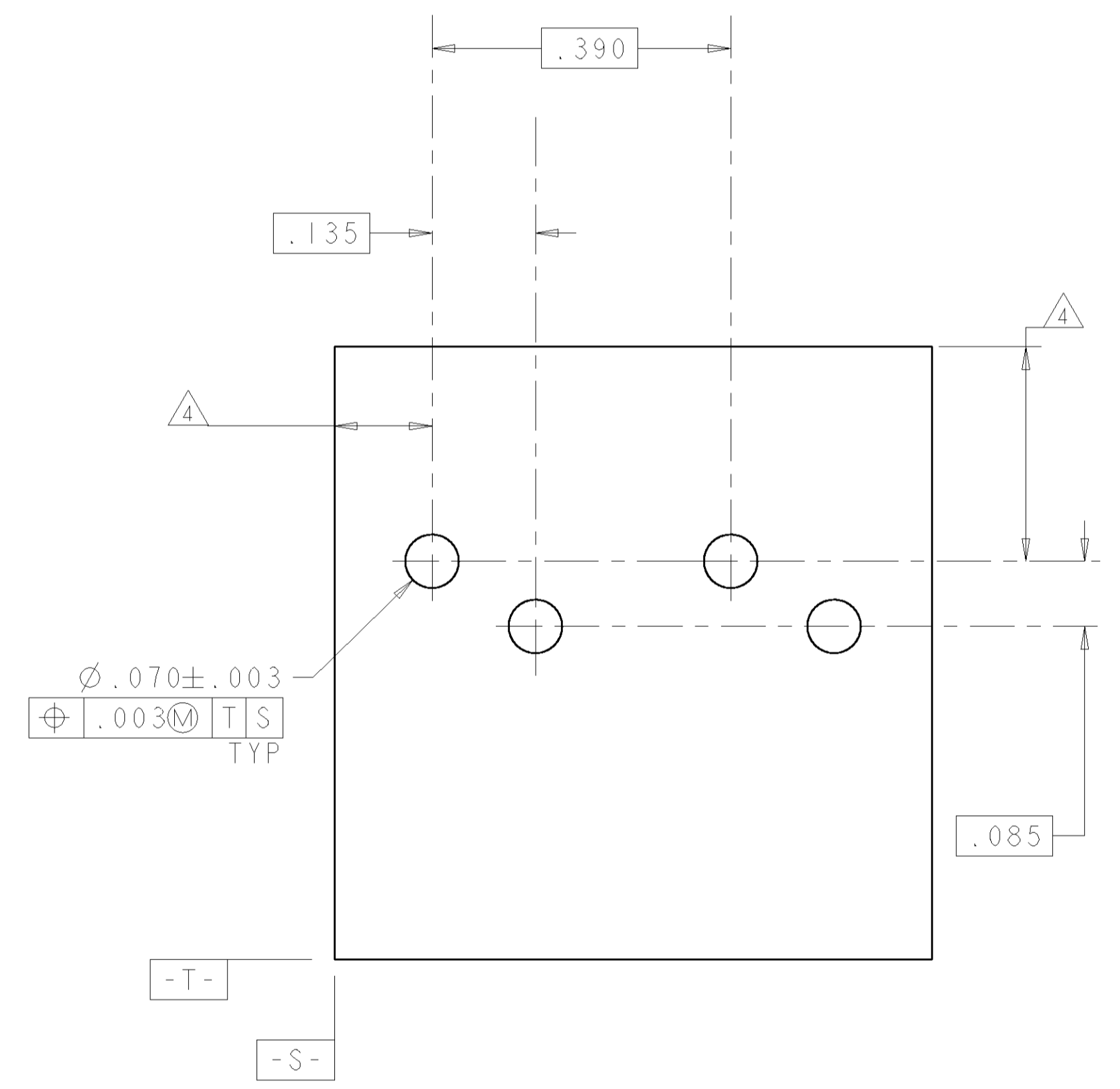
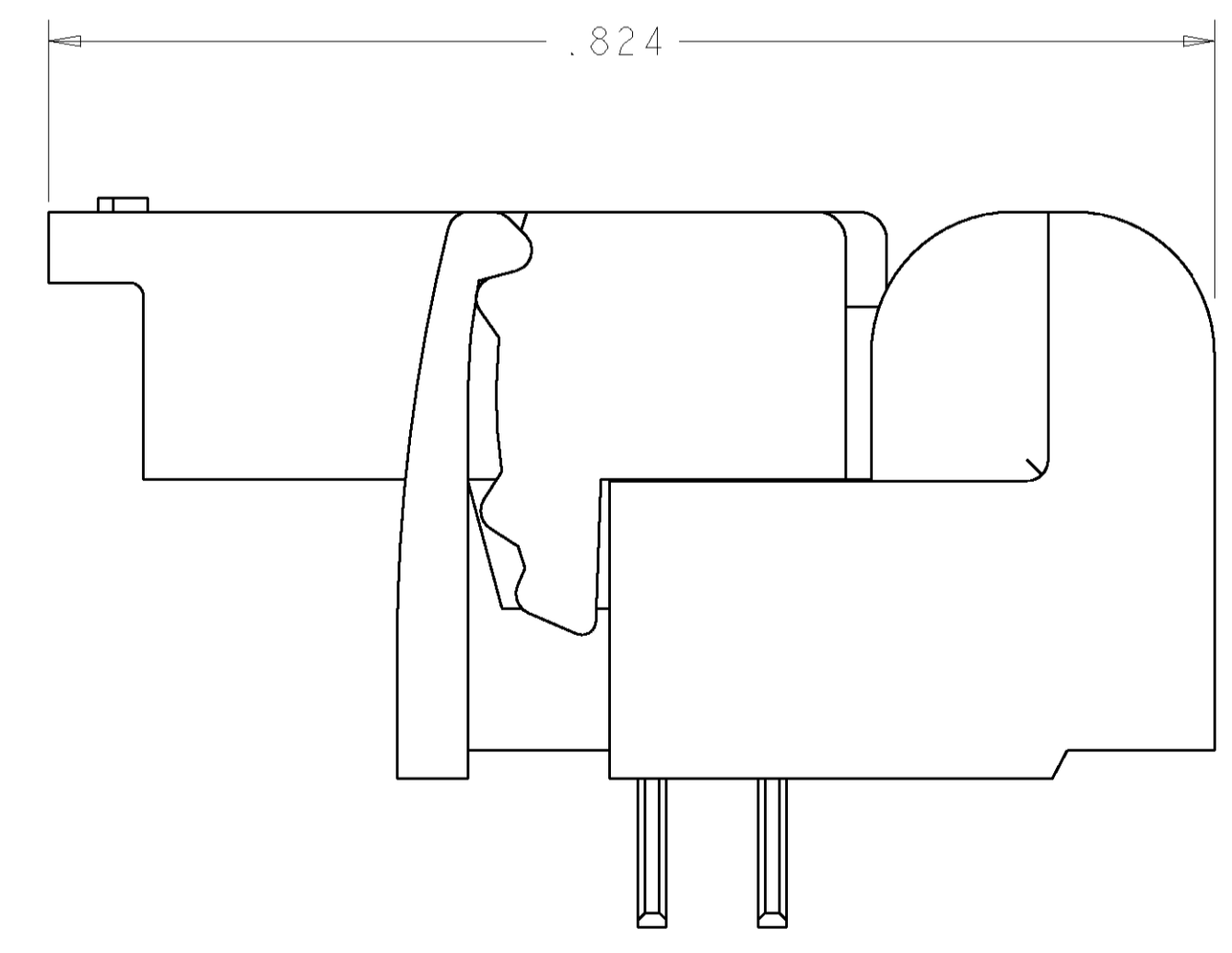
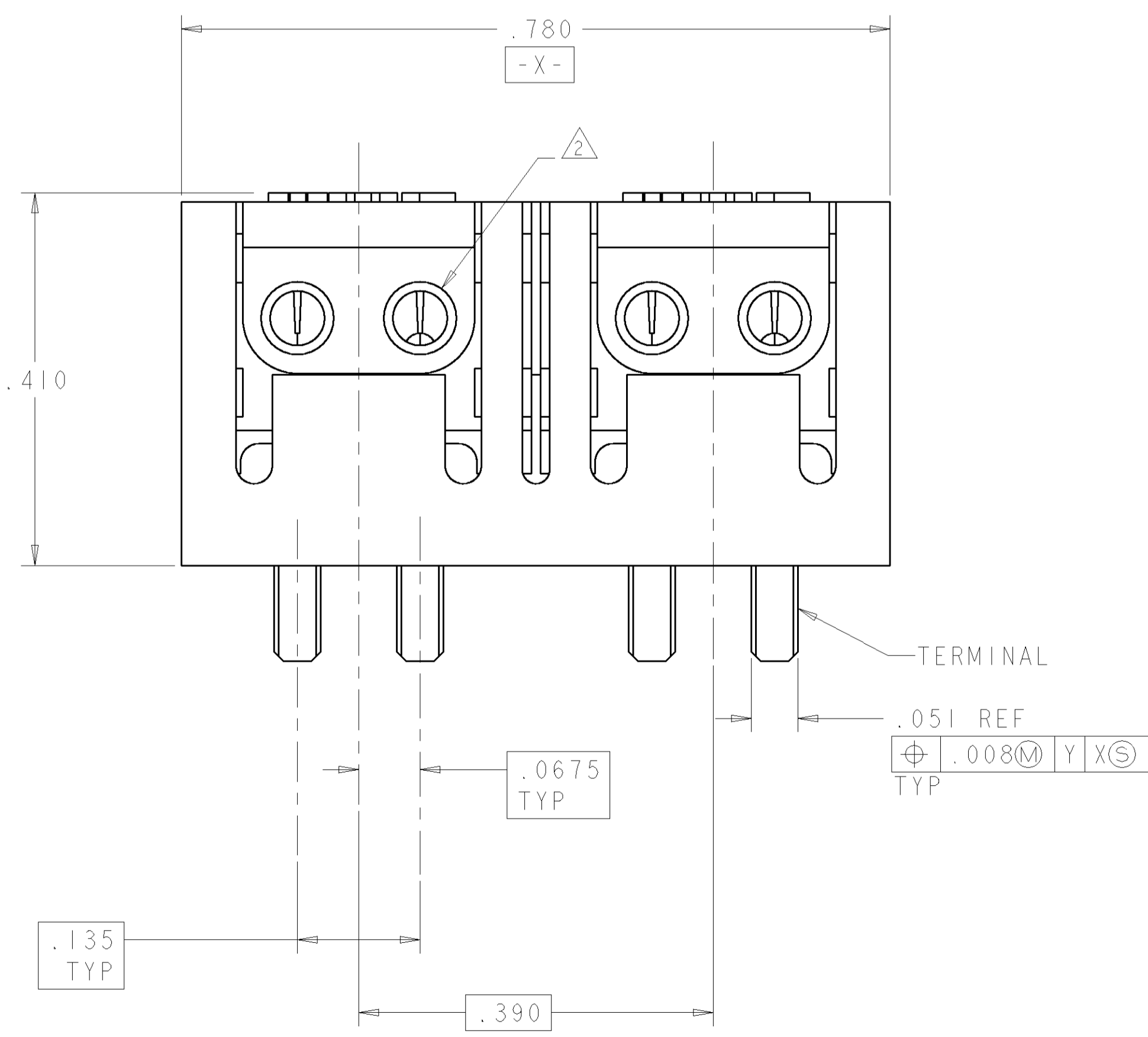


LOC	DIST	REVISONS				
GP	0	F	LTR	DATE	DWN	APPR
F1				20APR11	RK	HMR



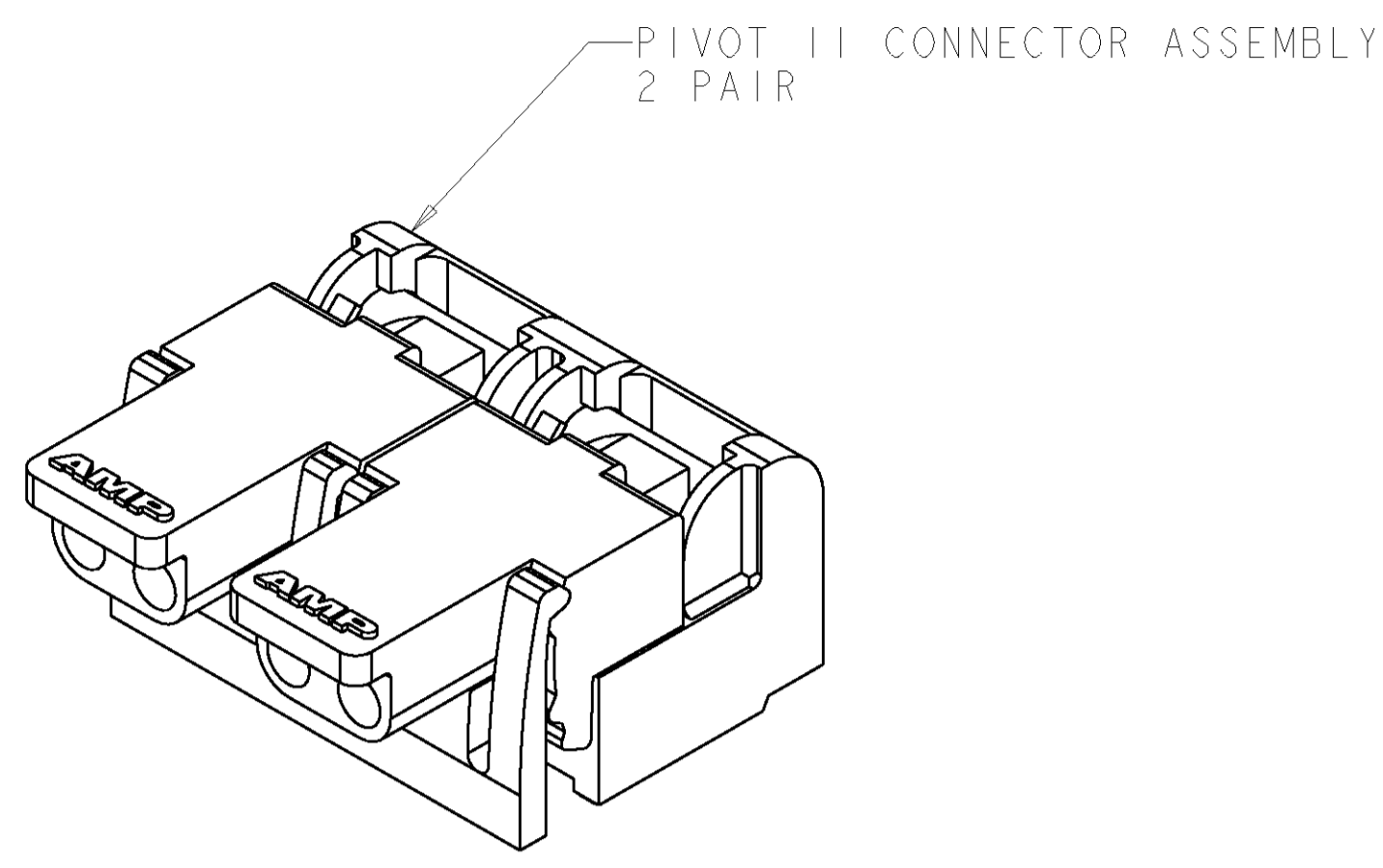
- 1 MATERIAL: BASE - POLYESTER MOLDING COMPOUND, BLACK. WIRE STUFFER - POLYCARBONATE MOLDING COMPOUND, SEE TABLE FOR COLOR. TERMINAL - COPPER ALLOY, PLATED WITH 3.81 μm MINIMUM THICK TIN OVER 1.27 μm MINIMUM THICK NICKEL UNDERPLATE.
- 2 EACH WIRE ENTRY HOLE ACCEPTS ONE UNSTRIPPED SOLID COPPER 22-26 AWG WIRE WITH WIRE INSULATION DIAMETER RANGE FROM .060 THROUGH .040. OTHER WIRE SIZES AND TYPES SHALL BE SUBMITTED TO AMP ENGINEERS FOR APPLICATION APPROVAL.
- 3. SOLDER TABS PROVIDED FOR PERMANENT BOARD MOUNTING.
- 4 LOCATION OF HOLE PATTERN DETERMINED BASED ON CUSTOMER REQUIREMENTS.



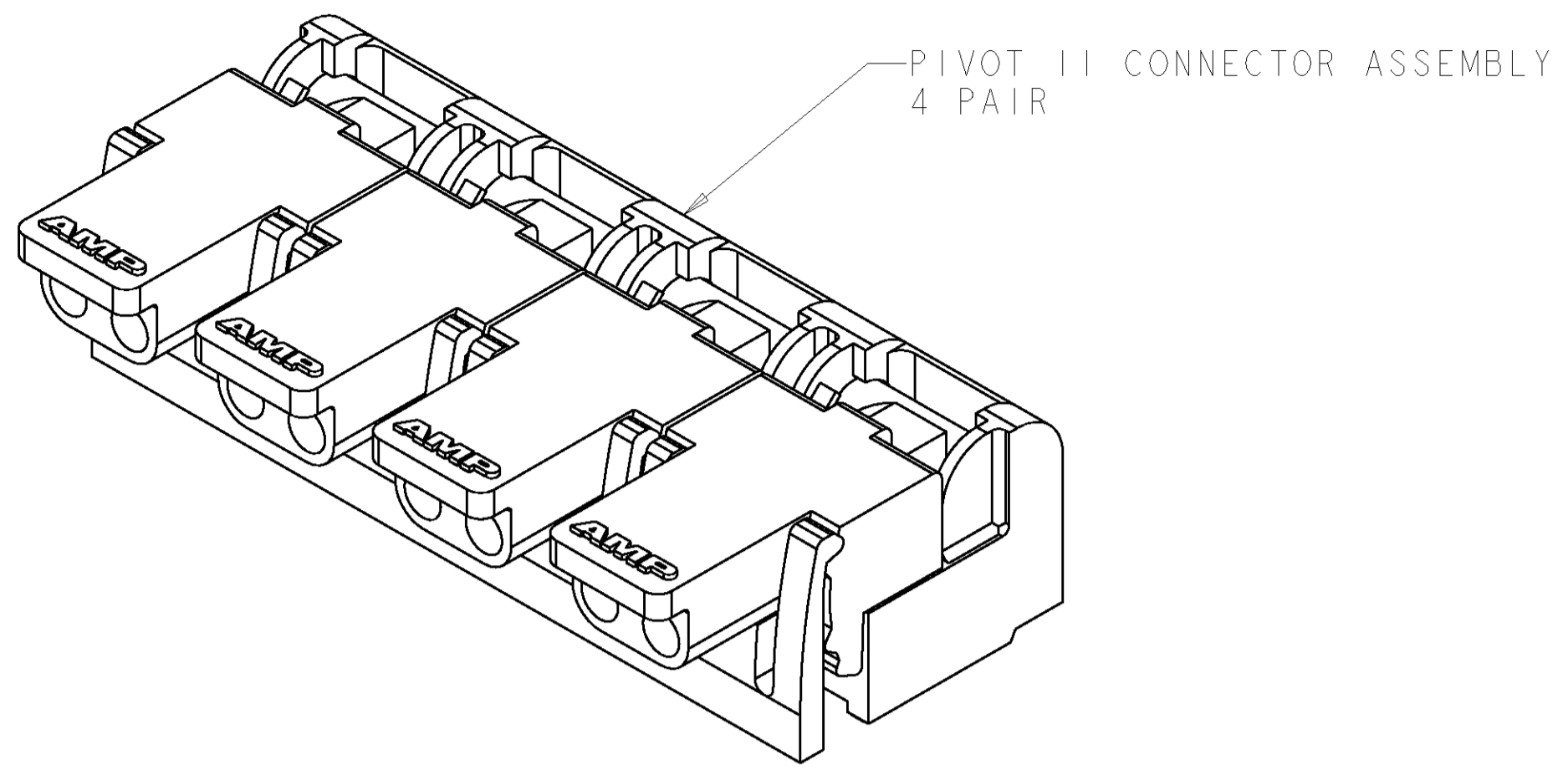
SUGGESTED PRINTED CIRCUIT BOARD MOUNTING DIMENSIONS (VIEWED FROM SOLDER SIDE)

DOUBLE	WHITE	4 PAIR, SH 2	1339376-3
SINGLE	CLEAR	4 PAIR, SH 2	1339376-2
SINGLE	CLEAR	AS SHOWN	1339376-1
ENTRY BASE	STUFFER COLOR	DESCRIPTION	PART NUMBER

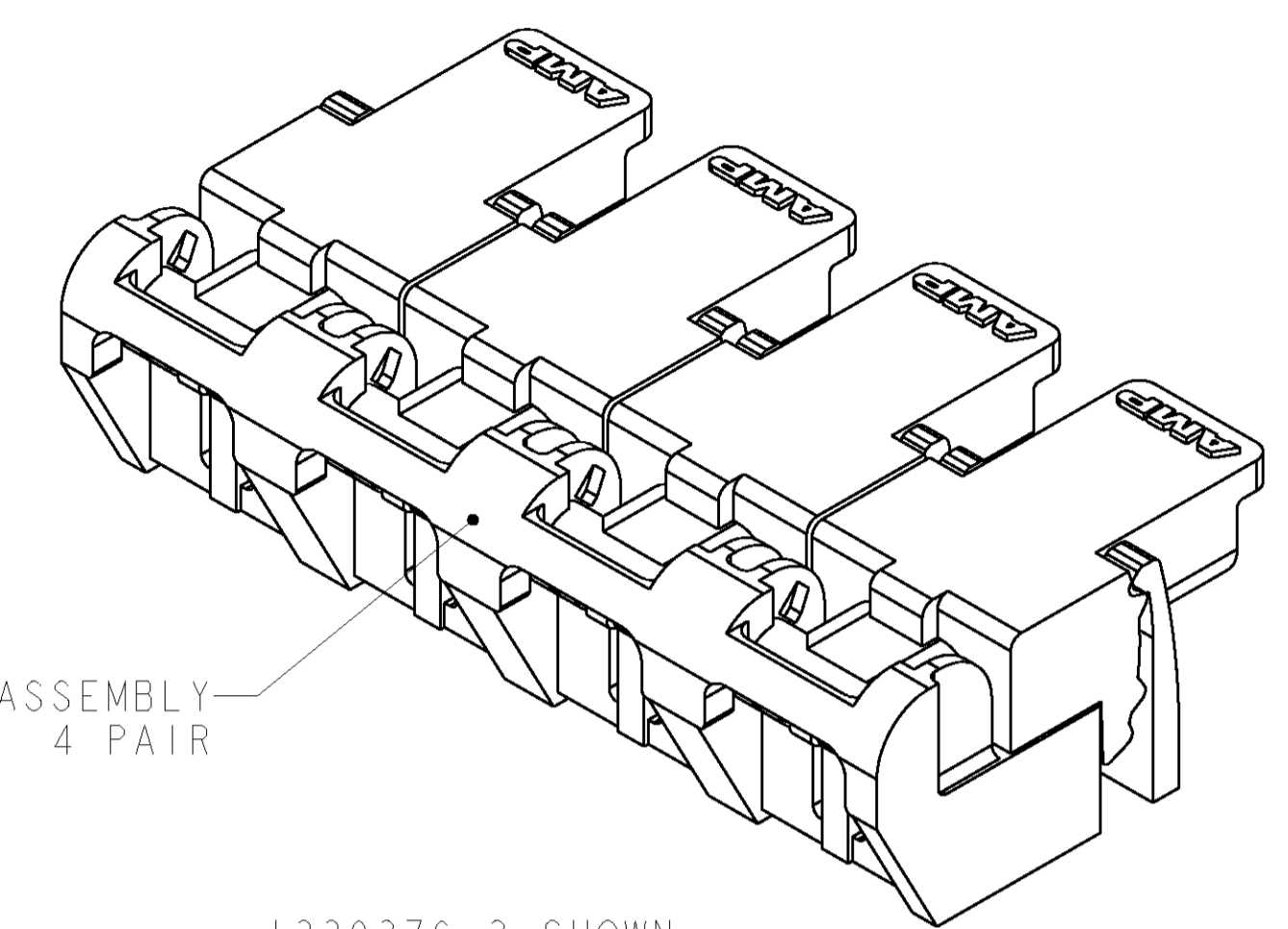
DIMENSIONS: INCHES		TOLERANCES UNLESS OTHERWISE SPECIFIED:		DRAWN: J. AHERON 30NOV00		CHK: S. ROBERTSON 30NOV00		APPR: S. ROBERTSON 30NOV00		NAME: ASSEMBLY, SINGLE ENTRY, PIVOT 11 CONNECTOR	
$\varnothing .003 \text{ (M) } T S$ TYP		0 PLC \pm 1 PLC $\pm .01$ 2 PLC $\pm .01$ 3 PLC $\pm .005$ 4 PLC \pm ANGLES \pm FINISH \pm		PRODUCT SPEC APPLICATION SPEC WEIGHT CUSTOMER DRAWING		SIZE: A1 CAGE CODE: 00779 DRAWING NO: 1339376		SCALE: 6:1 SHEET: 1 OF 2 REV: F1		STE TE Connectivity	



1339376-1 SHOWN
SCALE 4:1

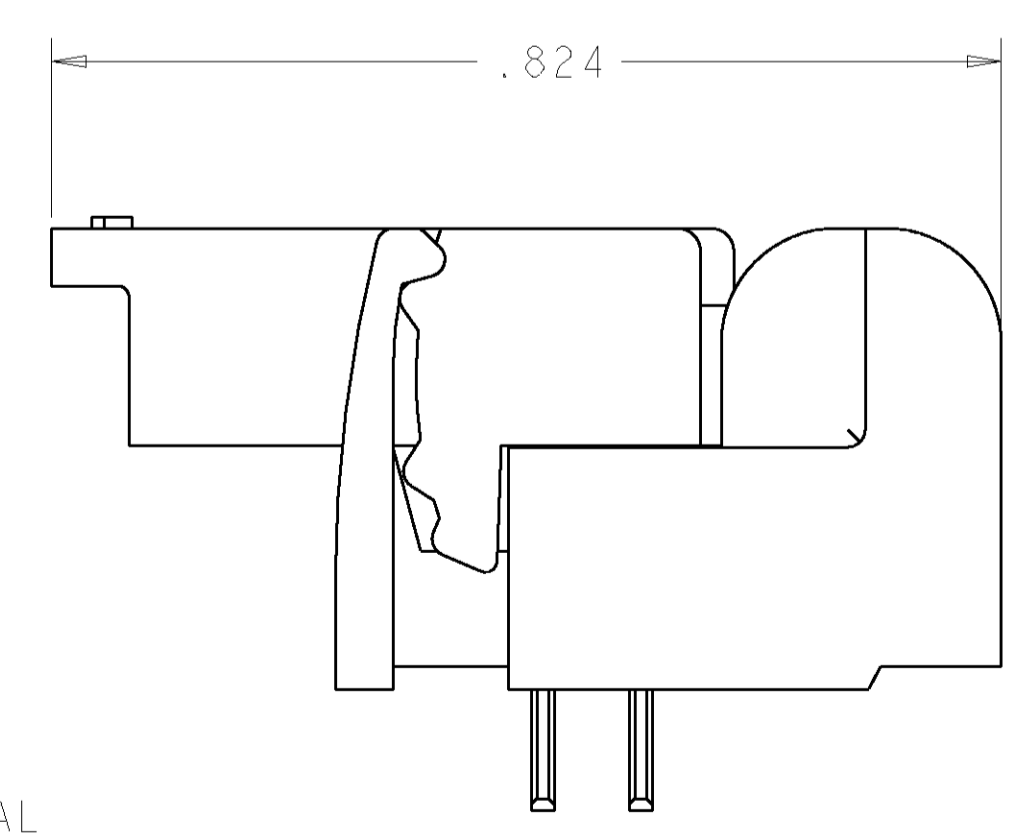
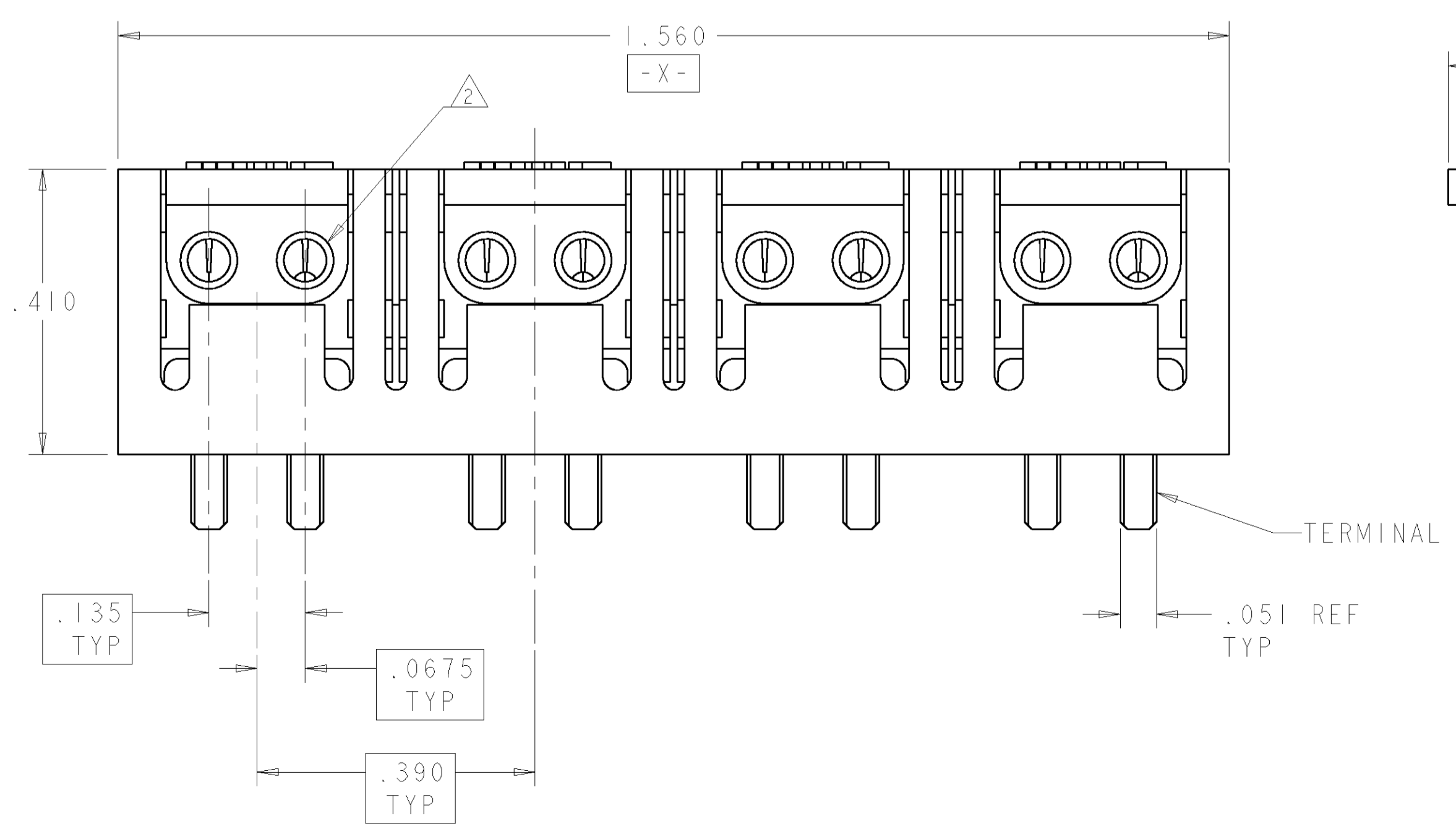
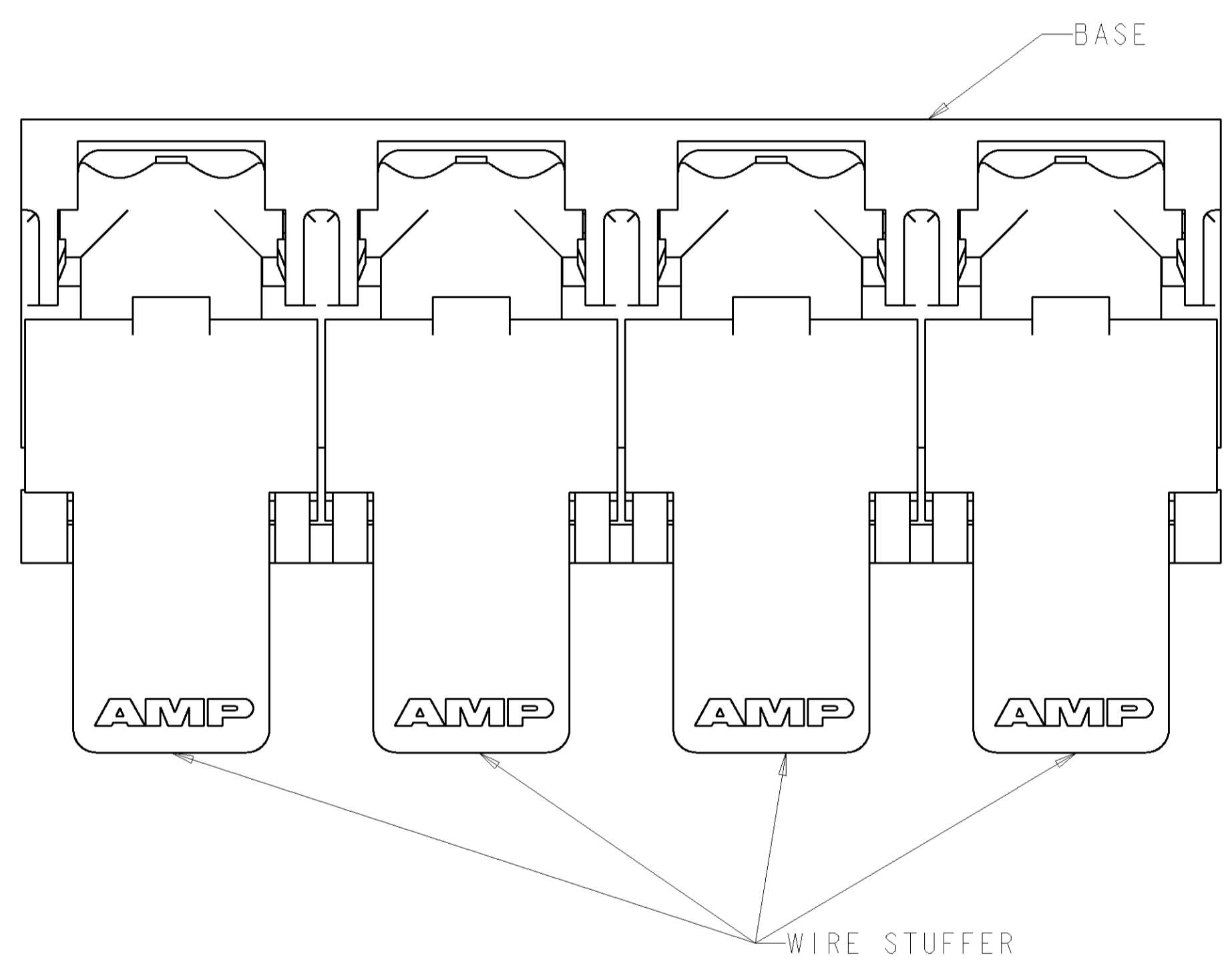


1339376-2 SHOWN
SCALE 4:1

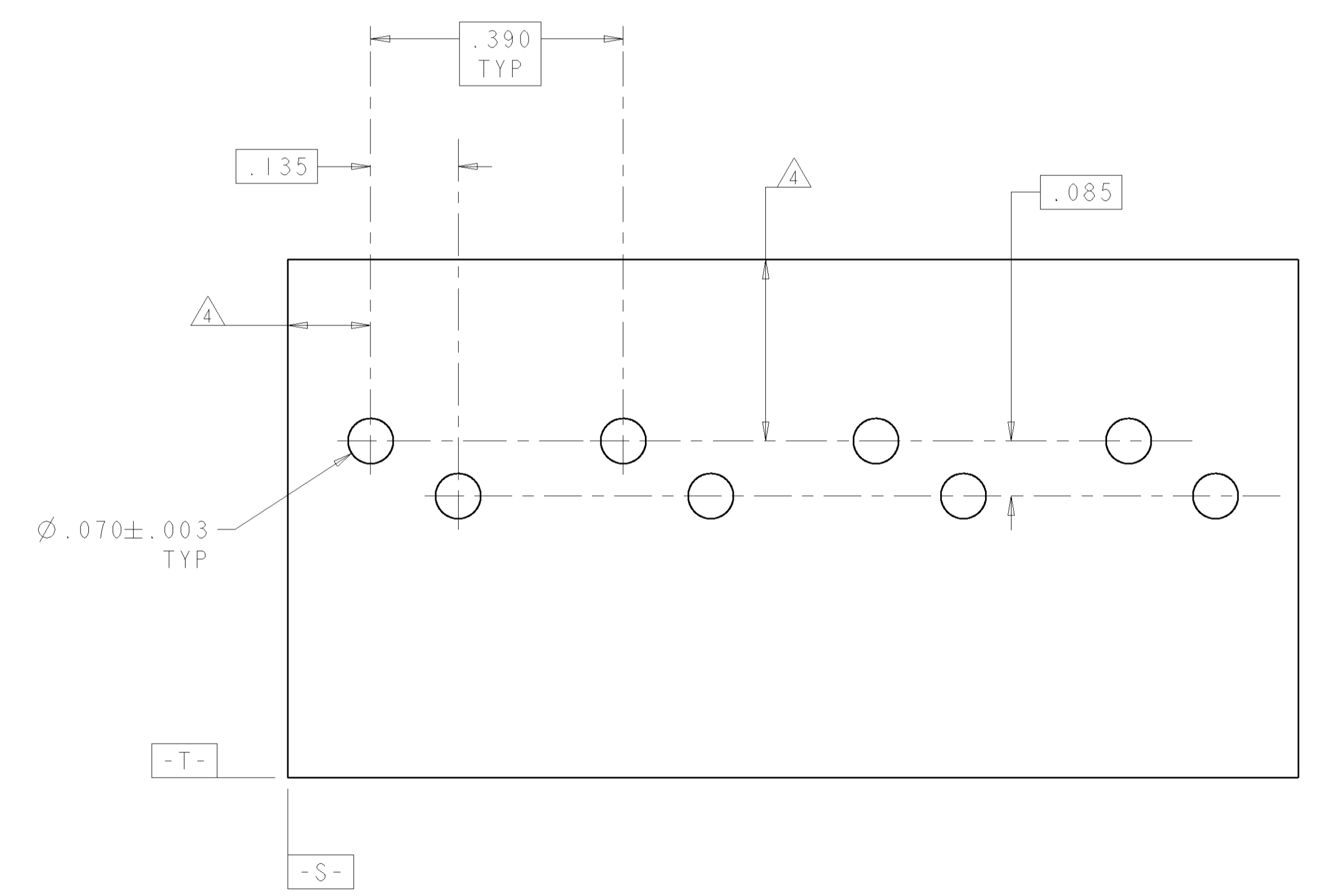


PIVOT II CONNECTOR ASSEMBLY
4 PAIR

1339376-3 SHOWN
(WITH DOUBLE ENTRY)
SCALE 4:1



CLOSED POSITION



SUGGESTED PRINTED CIRCUIT BOARD
MOUNTING DIMENSIONS
(VIEWED FROM SOLDER SIDE)

DIMENSIONS: INCHES		TOLERANCES UNLESS OTHERWISE SPECIFIED:		DWN: J. AHERON 30NOV00		CHK: S. ROBERTSON 30NOV00		APVD: S. ROBERTSON 30NOV00		NAME: ASSEMBLY, SINGLE ENTRY, PIVOT II CONNECTOR	
		0 PLC	±	PRODUCT SPEC		APPLICATION SPEC		WEIGHT		SIZE: A1	
		1 PLC	±.01	CAGE CODE		DRAWING NO: 1339376		SCALE: 6:1		SHEET 2 OF 2	
		2 PLC	±.005	CUSTOMER DRAWING		REV: F1					
		3 PLC	±								
		4 PLC	±								
		ANGLES	±								
		FINISH	±								

X-ON Electronics

Largest Supplier of Electrical and Electronic Components

Click to view similar products for [Fixed Terminal Blocks](#) category:

Click to view products by [TE Connectivity](#) manufacturer:

Other Similar products are found below :

[MBE-1512](#) [MBE-154](#) [MBE-156](#) [MBES-153](#) [MBES-156](#) [MH-2512](#) [MHE-132](#) [MHE-163](#) [MI-254 \(35\)](#) [MI-272](#) [880507](#) [MPT-275](#)
[15602-04-08-21](#) [BA311TU](#) [BA411SU](#) [MV-152](#) [MV-252-D](#) [MV-253/NCNOC](#) [MV-254-D](#) [MV-255](#) [MV-462](#) [MV-493](#) [MVE-252](#) [MVE-253](#)
[MVE-273](#) [MVEB-153](#) [1700096](#) [1705142](#) [1712417](#) [1713020](#) [1713088](#) [1745195](#) [1760594](#) [1776118-2](#) [1790852](#) [1-796689-8](#) [1-796692-6](#)
[1800001](#) [1800114](#) [1995279](#) [20020314-C121B01LF](#) [20020316-G041B01LF](#) [CB2-12](#) [KP03215000J0G](#) [KP04215000J0G](#) [S451](#) [282802-2](#)
[29.007](#) [29.116](#) [30.103](#)