

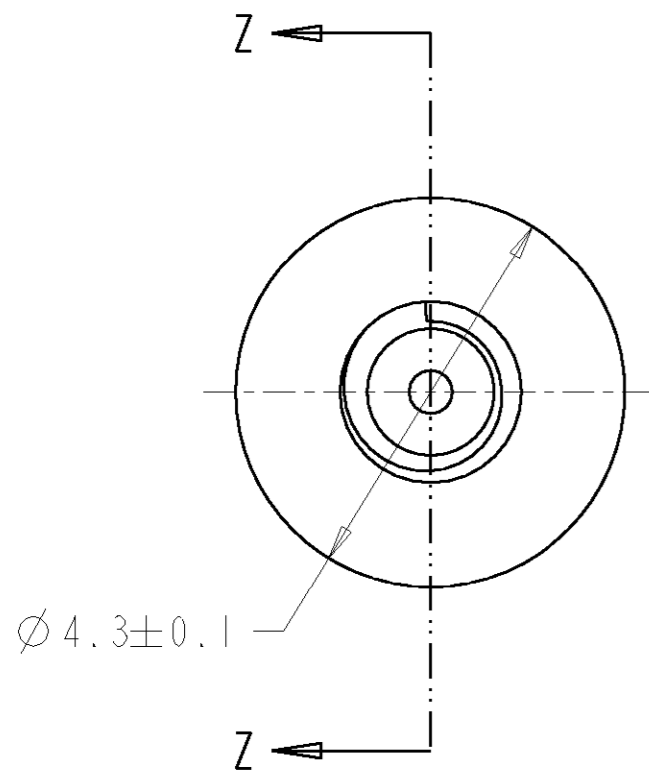
THIS DRAWING IS UNPUBLISHED.

RELEASED FOR PUBLICATION

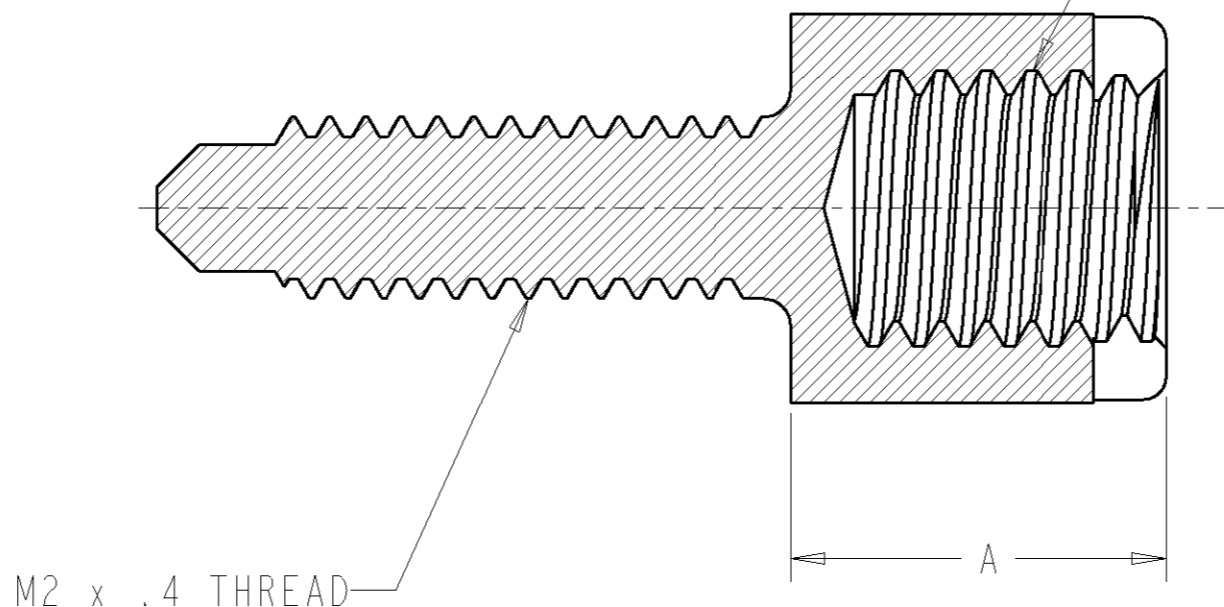
© COPYRIGHT

ALL RIGHTS RESERVED.

LOC	DIST	REVISIONS					
GP	00	P	LTR	DESCRIPTION	DATE	DWN	APVD
		A1		REVISED PER ECO-11-005294	20APR11	RK	HMR

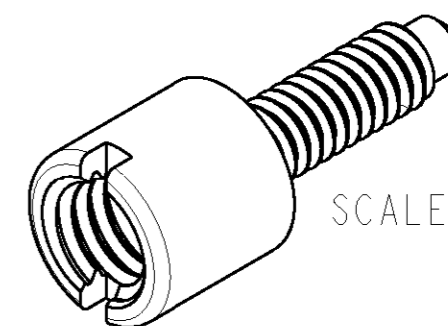
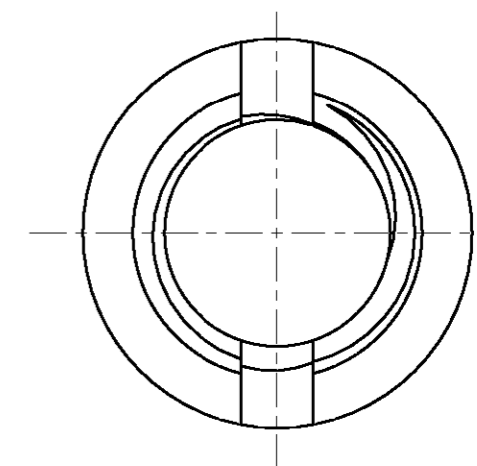


Ø 4.3 ± 0.1



M2 x .4 THREAD

SECTION Z-Z



SCALE 6:1

- 1. MATERIAL: STAINLESS STEEL.
- 2. SCREW LOCK REQUIRED FOR PART NUMBER 1339362.
SCREW LOCK MUST BE ORDERED SEPARATELY PER TABLE BELOW.

> 1mm - < 2mm	1339381-2
0mm - ≤ 1mm	1339381-1
PANEL THICKNESS	SCREW LOCK P/N

4.14	1339381-4	4
5.15	1339381-3	4
4.14	1339381-2	3
5.15	1339381-1	3
DIM A	PART NUMBER	

- 3. PACKAGED IN BAGS THAT INCLUDE 960 PIECES.
2 REQUIRED PER BOARD MOUNT CONNECTOR.
- 4. PACKAGED IN BAGS THAT INCLUDE 100 PIECES.
2 REQUIRED PER BOARD MOUNT CONNECTOR.

DWN K. ZARBOCK 27JUL01															
CHR D. WIEBKING 27JUL01															
APVD D. WIEBKING 27JUL01		NAME SCREW LOCK, MINI RJ21, RECEPTACLE													
DIMENSIONS: mm		PRODUCT SPEC -													
TOLERANCES UNLESS OTHERWISE SPECIFIED:		APPLICATION SPEC -													
<table border="1"> <tr><td>0 PLC</td><td>±-</td></tr> <tr><td>1 PLC</td><td>±0.05</td></tr> <tr><td>2 PLC</td><td>±0.05</td></tr> <tr><td>3 PLC</td><td>±0.05</td></tr> <tr><td>4 PLC</td><td>±0.05</td></tr> <tr><td>ANGLES</td><td>±2°</td></tr> </table>		0 PLC	±-	1 PLC	±0.05	2 PLC	±0.05	3 PLC	±0.05	4 PLC	±0.05	ANGLES	±2°	WEIGHT -	
0 PLC	±-														
1 PLC	±0.05														
2 PLC	±0.05														
3 PLC	±0.05														
4 PLC	±0.05														
ANGLES	±2°														
MATERIAL 1		FINISH -													
CUSTOMER DRAWING		SIZE A3	CAGE CODE 00779												
		DRAWING NO C=1339381	RESTRICTED TO -												
		SCALE 12:1	SHEET 1 OF 1												
		REV A1													

X-ON Electronics

Largest Supplier of Electrical and Electronic Components

Click to view similar products for [Modular Connectors / Ethernet Connectors](#) category:

Click to view products by [TE Connectivity](#) manufacturer:

Other Similar products are found below :

[8949-H88/06BLKA/SN](#) [74441-0010/BKN](#) [MP1010RX-1000](#) [MP44RX-1000](#) [PHJ-4P4C-1-V-4](#) [PHP-6P6C-5](#) [GAX-3-66](#) [GAX-8-62](#) [GDCX-PA-66-50](#) [GDCX-PN-64](#) [GDCX-PN-66](#) [GDCX-PN-66-50](#) [GDLX-A-66](#) [GDLX-N-66](#) [GDLX-S-66](#) [GDLX-S-88K](#) [GDTX-S-88-50](#) [GDX-PA-1010](#) [GLX-N-1010M-BLK](#) [GLX-S-88M-BLK](#) [GMX-N-1010](#) [GMX-S-1010](#) [GMX-S-66](#) [GMX-SMT4-N-88](#) [GPX-2-64](#) [GSGX-N-2-88](#) [GSGX-N-4-88](#) [GSX-NS2-88-3.05](#) [GSX-NS2-88-3.05-50](#) [GSX-NS-88-3.05-50](#) [PT-108A-8C-UL](#) [PT-J951-8C](#) [PTS-J531-8CS-50UL](#) [1-1775629-2](#) [A-2014-0-4](#) [GWLX-S-88-GR](#) [GWLX-S9-88-YG](#) [DC-1021-8-WH-6](#) [1300530003](#) [1324640-4](#) [RJ11FTVC2G](#) [RJ11FTVC2N](#) [RJFTVX2SA1G](#) [132764-001](#) [1413235](#) [MP88X-1000](#) [MPS88RX-5000](#) [E5288-S000K3-L](#) [E5908-15A242-L](#) [155302-001](#)